

RoHS Compliant

3167-SERIES DISPLAY PORT+HDMI COMBO

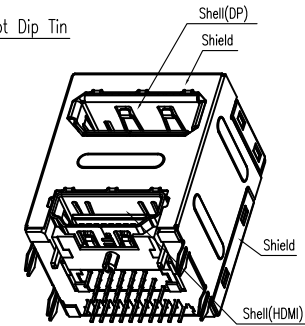
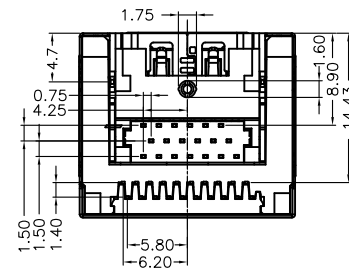
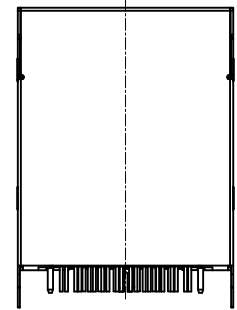
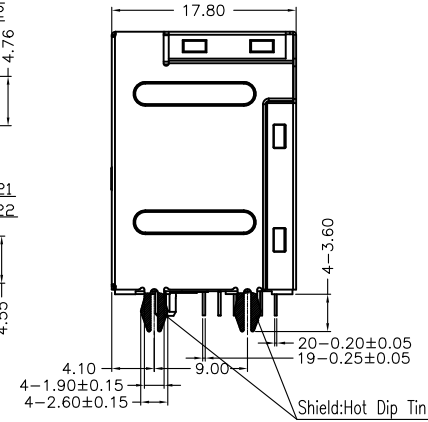
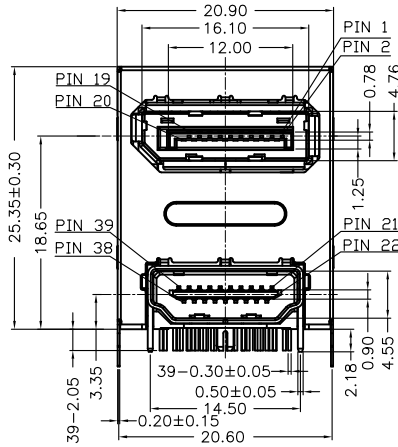
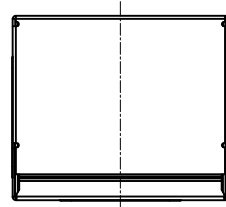
REV	DATE	DESCRIPTION	ECN NO.	NAME
A	18.08.07	PROPOSAL		HHuan

MATERIAL

HOUSING(DP): SEE ORDER INFORMATION (UL94V-0)
 HOUSING(DP) COLOR: SEE ORDER INFORMATION
 HOUSING(HDMI): SEE ORDER INFORMATION (UL94V-0)
 HOUSING(HDMI) COLOR: SEE ORDER INFORMATION
 TERMINAL(DP): BRASS
 TERMINAL(DP) PLATING: SELECTIVE Au IN CONTACT AREA,
 80u" min. Sn IN SOLDER TAIL AREA,
 BOTH OVER 30u" min. Ni UNDERPLATED
 OVERALL

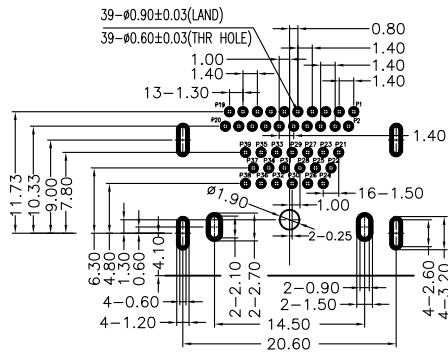
TERMINAL(HDMI): BRASS
 TERMINAL(HDMI) PLATING: SELECTIVE Au IN CONTACT AREA,
 80u" min. Sn IN SOLDER TAIL AREA,
 BOTH OVER 30u" min. Ni UNDERPLATED
 OVERALL

SHELL(HDMI): SEE ORDER INFORMATION
 SHELL(HDMI) PLATING: Ni PLATED
 SHELL(DP): STAINLESS STEEL
 SHIELD: STAINLESS STEEL



ORDER INFORMATION
 G7415-06 XX XX XX -XX

- ① HOUSING MATERIAL&COLOR
 00: DP:LCP&BLACK;
 HDMI:LCP&BLACK
 - ② SHELL(HDMI) MATERIAL
 00: COPPER ALLOY
 - ③ TERMINAL PLATING
 01: GOLD FLASH
 02: 15u" Au
 03: 30u" Au
- 00: ROHS
 HO: HALOGEN FREE



RECOMMENDED P.C.BOARD
 HOLE LAYOUT

NOTE:1. P.C.B LAYOUT TOLERANCE:±0.05mm

GENERAL TOLERANCE ± 0.25mm	WIESON TECHNOLOGIES CO., LTD		PART NO.: G7415-06XXXXXX-XX	
	DRAWN BY	HHuan(WSC)	DRAWING NO.	G7415-06XXXXXX-XX
GENERAL ANGLE TOLERANCE ± 3°	CHECKED BY	Hhuan	DRAWING SIZE	A4
	APPROVED BY	KEN	UNIT	mm
⊙	SORTING NO.	CA0009(WSC)	PAGE	1 OF 1