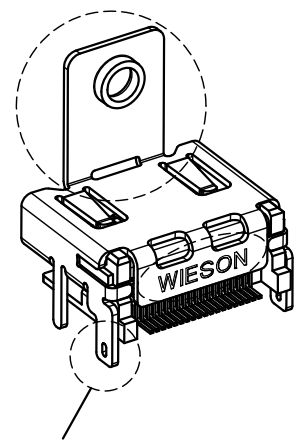
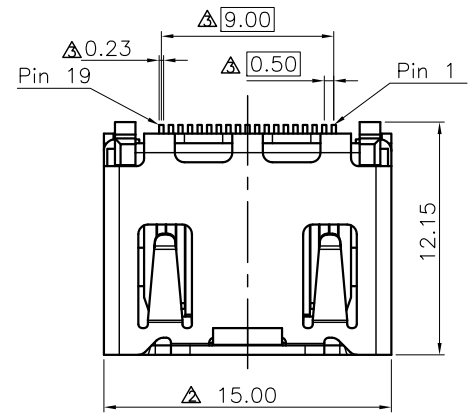


**HF Compliant**

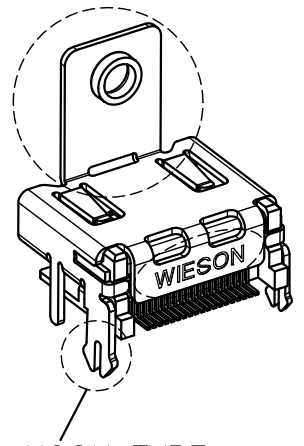
3168 SERIES HDMI FEMALE RIGHT/ANGLE SMT TYPE-3

REV	DATE	DESCRIPTION	ECN NO.	NAME
A	07.09.20	NEW RELEASE		KEITH
B	09.01.08	ADD NEW TYPE	CECR09003963	you
C	09.05.08	MODIFY DESIGN TYPE	CECR09004273	LIZM
D	09.07.23	MODIFY Dim TOLERANCE	CECR09004559	jack
E	10.09.26	MODIFY Dim TOLERANCE	CECR10005633	sky xu
F	10.11.18	ADD TYPE D	CECR10005836	sky xu
G	12.02.22	ADD TYPE	CECR12006844	zxh
H	12.10.26	ADD TYPE	CECR12007213	XUM
I	13.07.18	ADD OPTION	CECR13007685	SAM
J	13.08.11	ADD SIZE	CECR13007792	SAM
K	13.09.27	ADD OPTION	CECR13007397	SAM
L	14.02.27	ADD TYPE	CECR14008157	PYW

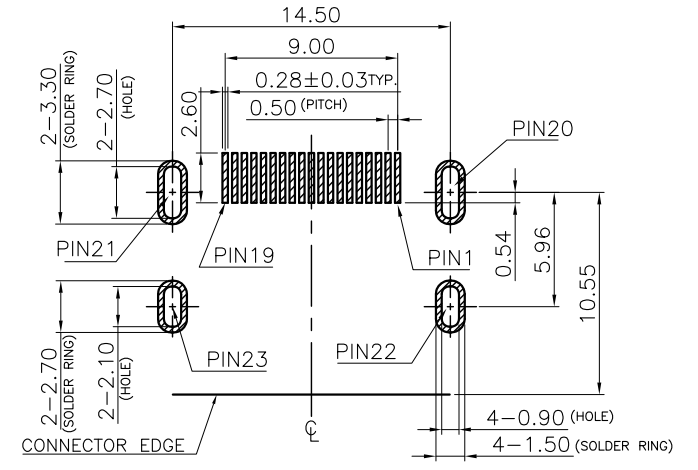
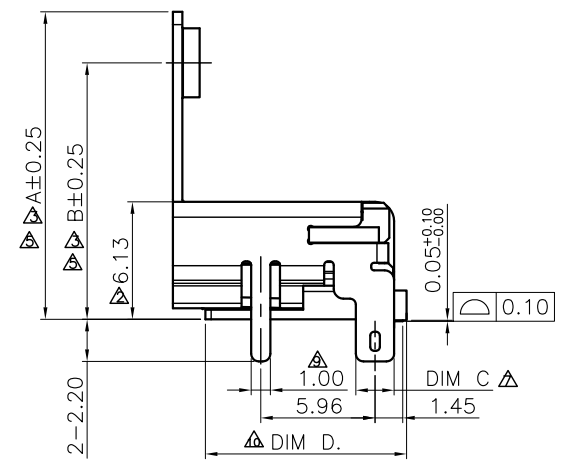
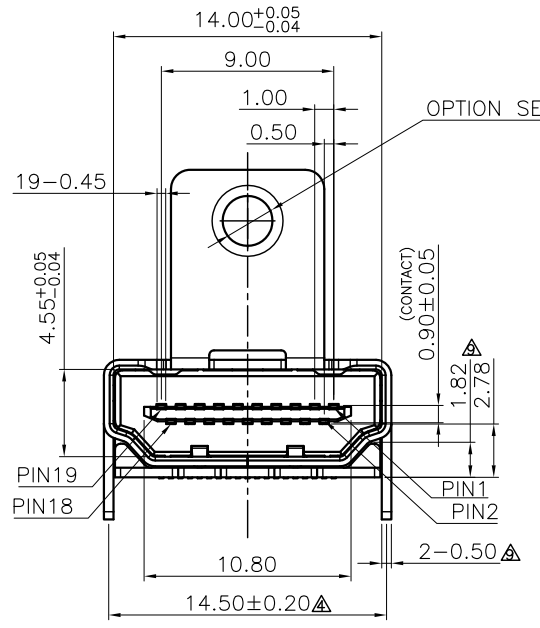
A  
B  
C  
D  
E



NORMAL TYPE



HOOK TYPE



RECOMMENDED PCB LAYOUT (TOP VIEW)  
TOLERANCE: ±0.05mm

GENERAL TOLERANCE X.X = ±0.20 X.XX = ±0.15 X.X* = ±3°	WIESON TECHNOLOGIES CO., LTD WIESON	PART NO.: G3168-180XXXX-XX	
	DRAWN BY	SAM	DRAWING NO. G3168-180XXXX-XX
	CHECKED BY	SKY	DRAWING SIZE 2.5 : 1 A4
	APPROVED BY	JIM	UNIT mm
	SORTING NO.	WSC	PAGE 1 OF 3

ISSUED

[ARTICLE:044033 V6]

HF Compliant

3168 SERIES HDMI FEMALE RIGHT/ANGLE SMT TYPE-3

REV	DATE	DESCRIPTION	ECN NO.	NAME
A	07.09.20	NEW RELEASE		KEITH
B	09.01.08	ADD NEW TYPE	CECR09003963	you
C	09.05.08	MODIFY DESIGN TYPE	CECR09004273	LIZM
D	09.07.23	MODIFY Dim TOLERANCE	CECR09004559	jack
E	10.09.26	MODIFY Dim TOLERANCE	CECR10005633	sky xu
F	10.11.18	ADD TYPE D	CECR10005836	sky xu
G	12.02.22	ADD TYPE	CECR12006844	zxh
H	12.10.26	ADD TYPE	CECR12007213	XUM
I	13.07.18	ADD OPTION	CECR13007685	SAM
J	13.08.11	ADD SIZE	CECR13007792	SAM
K	13.09.27	ADD OPTION	CECR13007397	SAM
L	14.02.27	ADD TYPE	CECR14008157	PYW

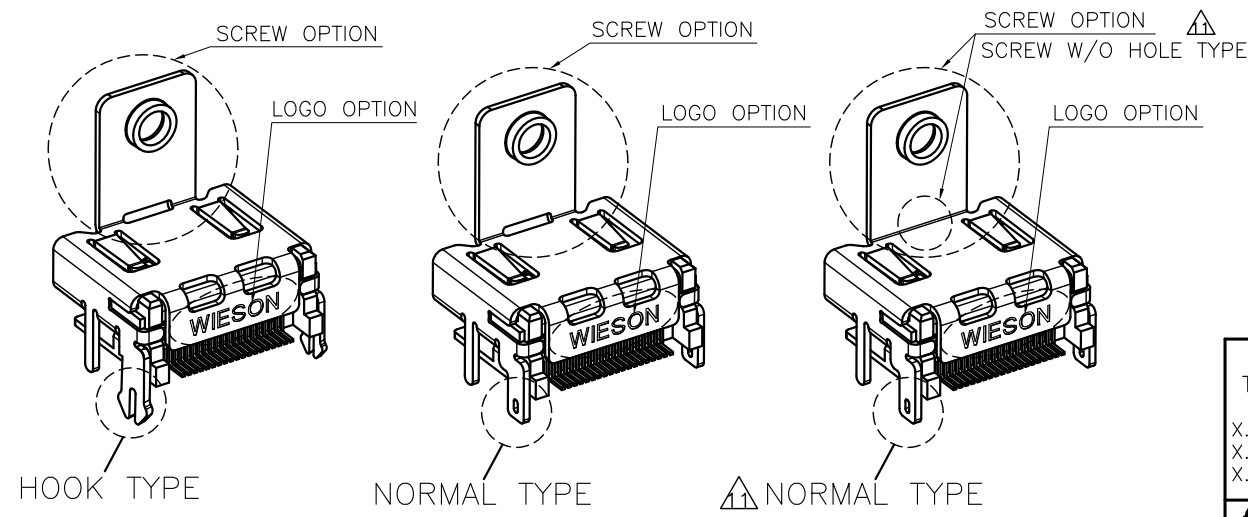
NOTE :

- MATERIAL :  
 TERMINAL : COPPER ALLOY  
 SHELL : COPPER ALLOY  
 HOUSING : HIGH TEMPERATURE THERMOPLASTIC.(UL94-0),BLACK.
- PLATING :  
 TERMINAL : SELECTIVE Au PLATED ON CONTACT AREA(SEE ORDER INFORMATION), Sn PLATED ON SOLDER TAIL AREA, BOTH OVER Ni UNDERPLATED OVERALL.  
 SHELL : WELDABLE Ni OVERALL.
- PACKING : SEE ORDER INFORMATION
- HALOGEN FREE
- ORDER INFORMATION : G3168-18 0X XX XX -X X  
 ① ② ③ ④ ⑤

- △ 0 : DIM C=2.0mm (ONLY NORMAL TYPE)  
 DIM D=10.50mm
- ① 1 : DIM C=1.7mm (ONLY NORMAL TYPE)  
 DIM D=10.50mm
- ② 2 : DIM C=2.0mm (ONLY NORMAL TYPE)  
 DIM D=8.85mm
- △ 3 : DIM C=1.7mm (ONLY NORMAL TYPE)  
 DIM D=8.85mm
- ③ 01 : Au FLASH ON CONTACT AREA  
 02 : 3u"Au ON CONTACT AREA  
 03 : 5u"Au ON CONTACT AREA  
 04 : 15u"Au ON CONTACT AREA  
 05 : 30u"Au ON CONTACT AREA

- A 01 : W/O SCREW ; W/O LOGO; NORMAL TYPE; PACKING REEL △
- 02 : W/ SCREW M3\*0.5; W/O LOGO; NORMAL TYPE;TYPE A PACKING TRAY △
- 03 : W/O SCREW ; W/ LOGO; NORMAL TYPE; PACKING REEL
- 04 : W/ SCREW M3\*0.5; W/ LOGO; NORMAL TYPE;TYPE A PACKING TRAY △
- 05 : W/ SCREW M3\*0.5; W/O LOGO; HOOK TYPE;TYPE B △ PACKING TRAY △
- 06 : W/ SCREW M3\*0.5; W/ LOGO; HOOK TYPE;TYPE B △ PACKING TRAY △
- 07 : W/ SCREW M3\*0.5; W/O LOGO; HOOK TYPE;TYPE C △ PACKING TRAY △
- 08 : W/ SCREW M3\*0.5; W/ LOGO; HOOK TYPE;TYPE C △ PACKING TRAY △
- 09 : W/ SCREW M3\*0.5; W/O LOGO; NORMAL TYPE;TYPE B △ PACKING TRAY △
- 10 : W/ SCREW M3\*0.5; W/ LOGO; NORMAL TYPE;TYPE B △ PACKING TRAY △
- 11 : W/ SCREW M3\*0.5; W/O LOGO; NORMAL TYPE;TYPE C △ PACKING TRAY △
- ② 12 : W/ SCREW M3\*0.5; W/ LOGO; NORMAL TYPE;TYPE C △ PACKING TRAY △
- 13 : W/ SCREW M2\*0.4; W/ LOGO; NORMAL TYPE;TYPE D △ PACKING REEL △
- 14 : W/ SCREW M3\*0.5; W/O LOGO;NORMAL TYPE;TYPE A PACKING REEL △
- 15 : W/ SCREW M3\*0.5; W/ LOGO; NORMAL TYPE;TYPE A PACKING REEL △
- 16 : W/ SCREW M3\*0.5; W/O LOGO;HOOK TYPE;TYPE B PACKING REEL △
- 17 : W/ SCREW M3\*0.5; W/ LOGO; HOOK TYPE;TYPE B PACKING REEL △
- 18 : W/ SCREW M3\*0.5; W/O LOGO;HOOK TYPE;TYPE C PACKING REEL △
- 19 : W/ SCREW M3\*0.5; W/ LOGO; HOOK TYPE;TYPE C PACKING REEL △
- 20 : W/ SCREW M3\*0.5; W/O LOGO;NORMAL TYPE;TYPE B PACKING REEL △
- 21 : W/ SCREW M3\*0.5; W/ LOGO; NORMAL TYPE;TYPE B PACKING REEL △
- 22 : W/ SCREW M3\*0.5; W/O LOGO;NORMAL TYPE;TYPE C PACKING REEL △
- 23 : W/ SCREW M3\*0.5; W/ LOGO; NORMAL TYPE;TYPE C PACKING REEL △
- 24 : W/ SCREW M3\*0.5; W/O LOGO;NORMAL TYPE;TYPE B(SCREW W/O HOLE TYPE) PACKING TRAY △

- ④ 0 : WIESON  
 H : HALOGEN FREE
- ⑤ 0:For Export sales  
 N:For Domestic sales



GENERAL TOLERANCE	WIESON TECHNOLOGIES CO., LTD	PART NO.:	
X.X = ±0.20	DRAWN BY SAM	G3168-180XXXX-XX	
X.XX = ±0.15	CHECKED BY SKY	DRAWING NO. G3168-180XXXX-XX	
X.X' = ±3'	APPROVED BY JIM	DRAWING SIZE 2.5 : 1 A4	
	SORTING NO. WSC	UNIT	mm
		PAGE	2 OF 3

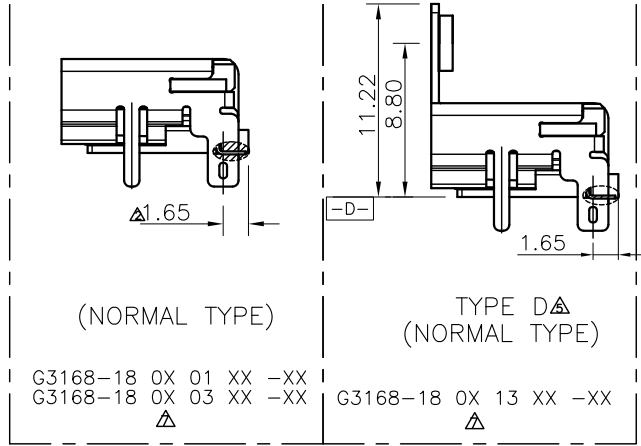
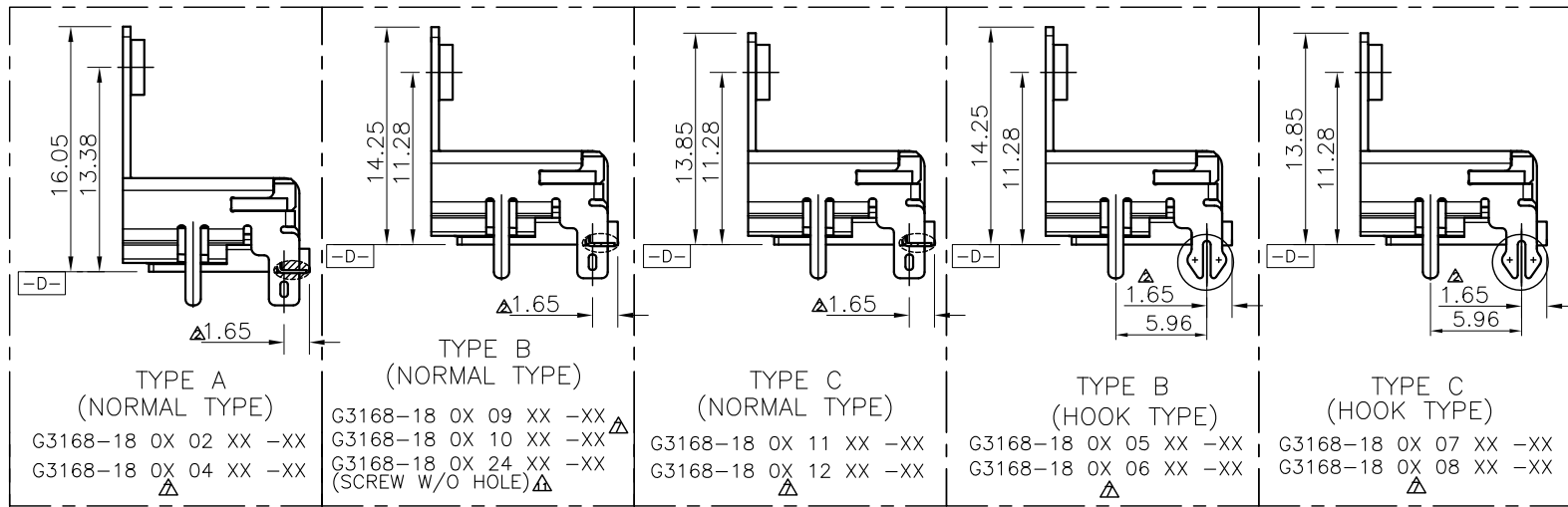
ISSUED

[ARTICLE:044033 V6]

HF Compliant

3168 SERIES HDMI FEMALE RIGHT/ANGLE SMT TYPE-3

REV	DATE	DESCRIPTION	ECN NO.	NAME
A	07.09.20	NEW RELEASE		KEITH
B	09.01.08	△ ADD NEW TYPE	CECR09003963	you
C	09.05.08	△ MODIFY DESIGN TYPE	CECR09004273	LIZM
D	09.07.23	△ MODIFY Dim TOLERANCE	CECR09004559	jack
E	10.09.26	△ MODIFY Dim TOLERANCE	CECR10005633	sky xu
F	10.11.18	△ ADD TYPE D	CECR10005836	sky xu
G	12.02.22	△ ADD TYPE	CECR12006844	zxh
H	12.10.26	△ ADD TYPE	CECR12007213	XUM
I	13.07.18	△ ADD OPTION	CECR13007685	SAM
J	13.08.11	△ ADD SIZE	CECR13007792	SAM
K	13.09.27	△ ADD OPTION	CECR13007397	SAM
L	14.02.27	△ ADD TYPE	CECR14008157	PYW



TYPE	DIM A	DIM B
TYPE A	16.05	13.38
TYPE B	14.25	11.28
TYPE C	13.85	11.28
TYPE D	11.22	8.80

GENERAL TOLERANCE X.X = ±0.20 X.XX = ±0.15 X.X* = ±3*	WIESON TECHNOLOGIES CO., LTD WIESON	PART NO.: G3168-180XXXXX-XX	
	DRAWN BY: SAM	DRAWING NO.: G3168-180XXXXX-XX	
	CHECKED BY: SKY	DRAWING SIZE: 2.5 : 1 A4	
	APPROVED BY: JIM	UNIT: mm	
	SORTING NO.: WSC	PAGE: 3 OF 3	

ISSUED

[ARTICLE:044033 V6]