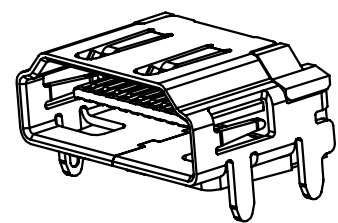
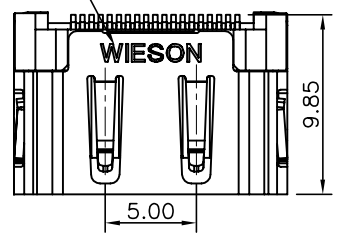


REV	DATE	DESCRIPTION	ECN NO.	NAME
A	07.08.03	NEW RELEASE		KEITH

3168 SERIES HDMI FEMALE R/A REVERS SLIM TYPE

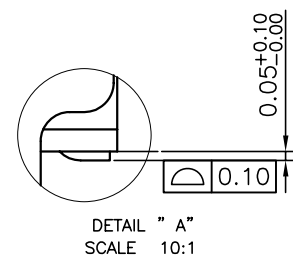
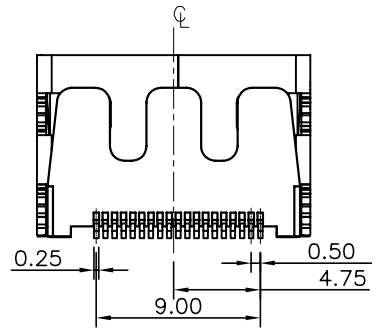
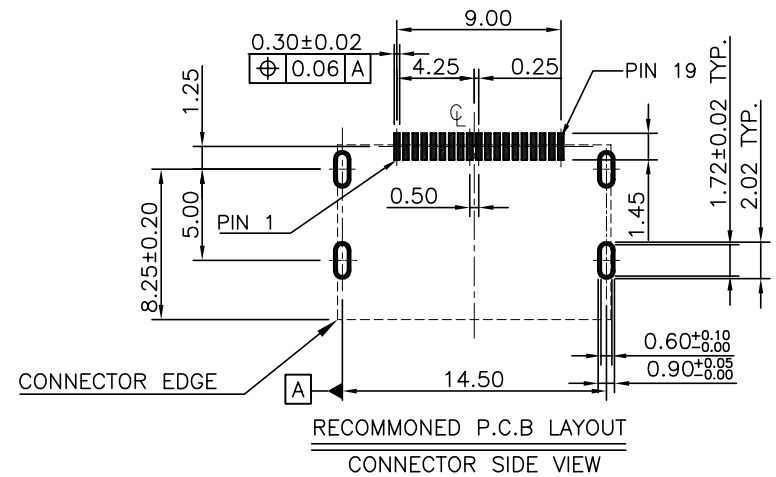
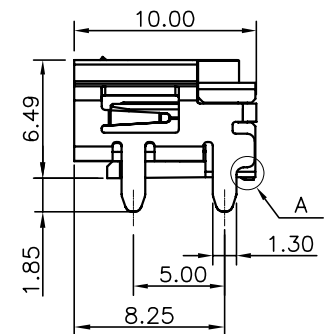
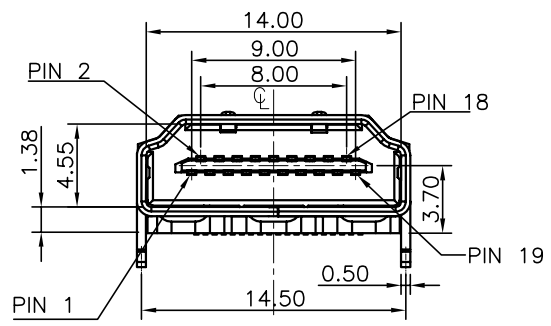
A
B
C
D
E

LOGO OPTIONAL



NOTE

1.MATERIAL :
 HOUSING :HIGH TEMPERATURE PLASTIC (UL94V-0) COLOR:BLACK
 TERMINAL : COPPER ALLOY t=0.20±0.02mm.
 SHELL : COPPER ALLOY,t=0.50±0.02mm.
 2.PLATING :
 TERMINAL :SELECTIVE Au ON CONTACT AREA (SEE ORDER INFORMATION);
 100u" MIN. Sn ON SOLDER TAIL AREA,
 BOTH OVER 50u" MIN. Ni UNDERPLATED OVERALL.
 SHELL : 100u"Min. WELDABLE Ni OVERALL
 3.ORDER INFORMATION : G3168-19 00 ** ** -00
 00:W/O LOGO 01:1u" Au;
 01:W/ LOGO 02:15u" Au;
 03:30u" Au;



NOTES:

1.P.C.B THICKNESS:1.20±0.05mm.
 2.TOLERANCE UNSPECIFIED DIMENSIONS ARE ±0.05mm.

GENERAL TOLERANCE		WIESON TECHNOLOGIES CO., LTD		PART NO.:	
X.X	=± 0.20	DRAWN BY	KEITH(WSC)	G3168-1900****-00	
X.XX	=± 0.10	CHECKED BY	KEVIN	DRAWING NO.	G3168-1900XXXX-00
X.X*	=± 3°	APPROVED BY	JERRY	DRAWING SIZE	2.5:1 A4
⊙		SORTING NO.	WSC	UNIT	mm
				PAGE	1 OF 1

ISSUED

[ARTICLE:044033 V5]