

SONY Compliant

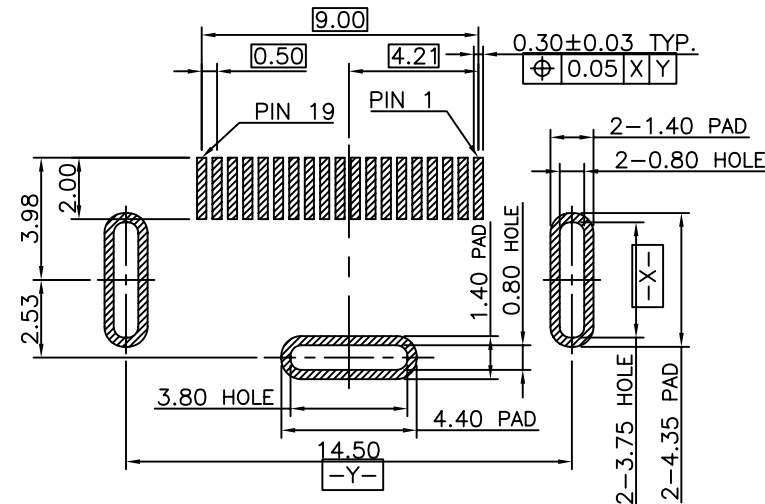
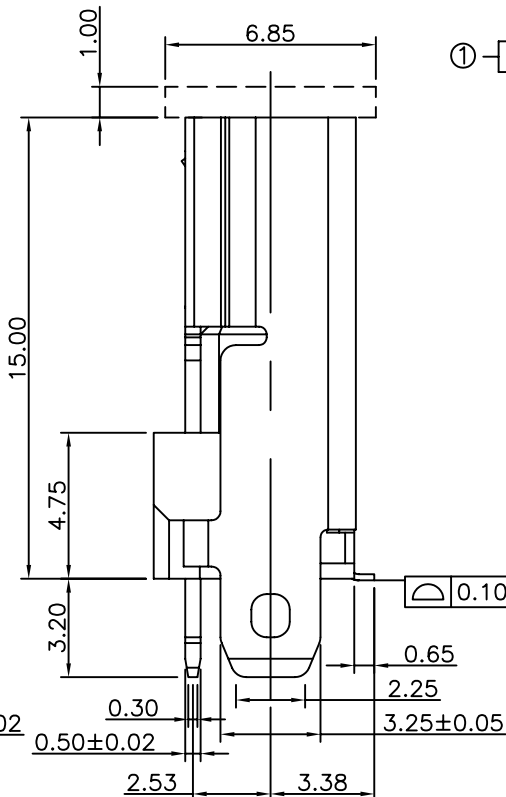
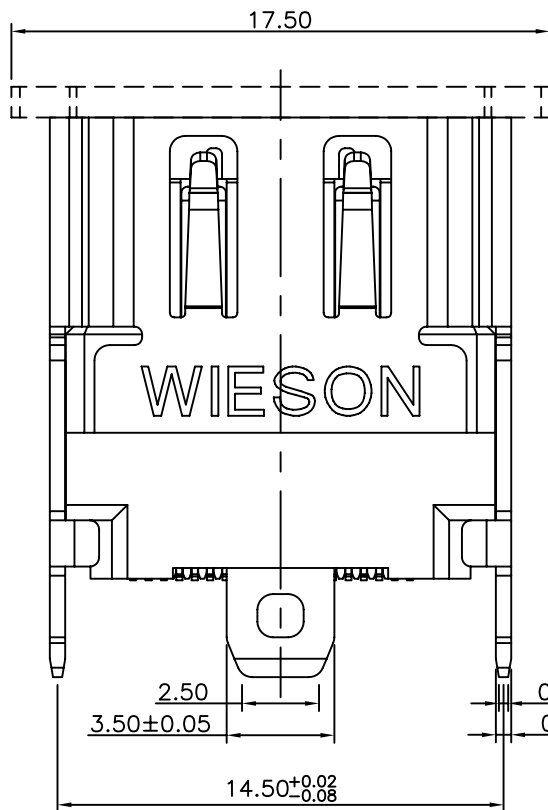
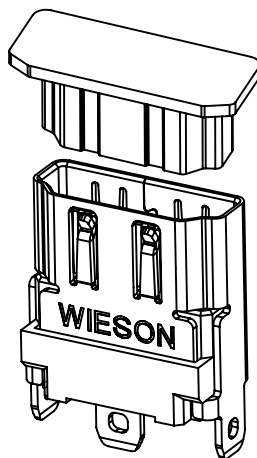
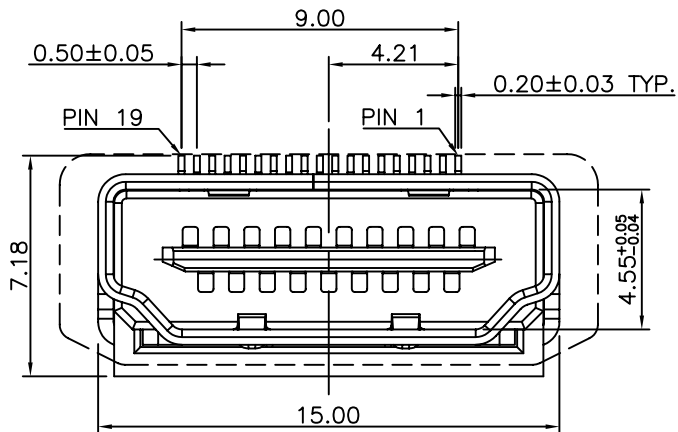
3168 SERIES HDMI FEMALE VERTICAL 15H SMT TYPE

REV	DATE	DESCRIPTION	ECN NO.	NAME
A	10.01.28	NEW RELEASE		SAM HO

NOTES:

- MATERIAL :
 TERMINAL : COPPER ALLOY,
 SHELL : COPPER ALLOY,
 HOUSING : THERMOPLASTIC(UL94V-0),
 CAP : THERMOPLASTIC(UL94V-0).
- PLATING :
 TERMINAL : Au PLATED ON CONTACT AREA(SEE ORDER INFORMATION),
 80u"~160u" Sn PLATED ON SOLDER TAIL AREA,
 BOTH OVER 50u"~100u" Ni UNDERPLATED OVERALL.
 SHELL : 30u"~80u" SOLDERABLE Ni OVERALL.
- PACKING : TAPE&REEL.
- ADAPT SONY SS-00259 STANDRAD
- ORDER INFORMATION :
 3168-30 10 XX XX -S0

- ① { 00 : W/ WIESON LOGO
 01 : W/O WIESON LOGO
- ② { 01 : Au FLASH
 02 : 3u" Au
 03 : 15u" Au
 04 : 30u" Au



RECOMMENDED PCB LAYOUT (TOP VIEW)
 TOLERANCE: ±0.05mm

GENERAL TOLERANCE X.X = ±0.20 X.XX = ±0.10 X.X* = ±3* 	WIESON TECHNOLOGIES CO., LTD WIESON		PART NO.: 3168-3010XXXX-S0	
	DRAWN BY SAM HO (WST)	CHECKED BY KEVIN	DRAWING NO. 3168-3010XXXX-S0	DRAWING SIZE 4 : 1 A4
	APPROVED BY JACK	SORTING NO. WSC	UNIT mm	PAGE 1 OF 1

ISSUED

[ARTICLE:044033 V5]