

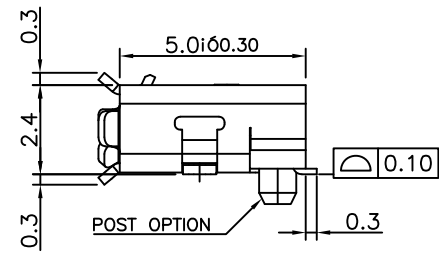
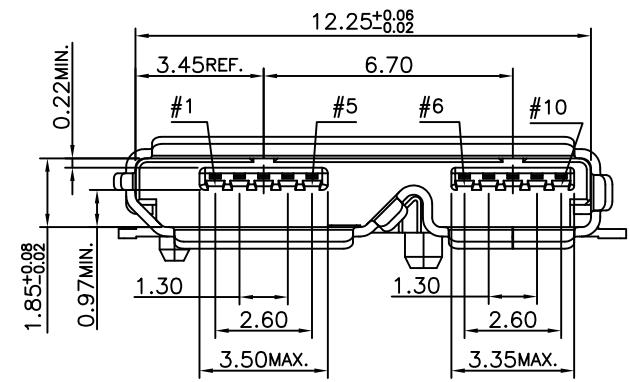
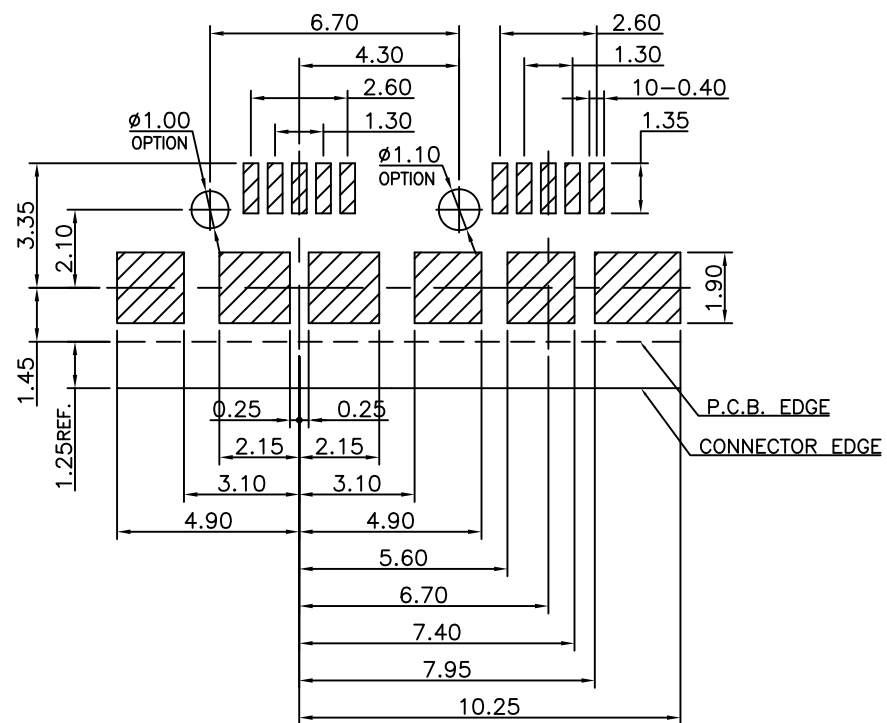
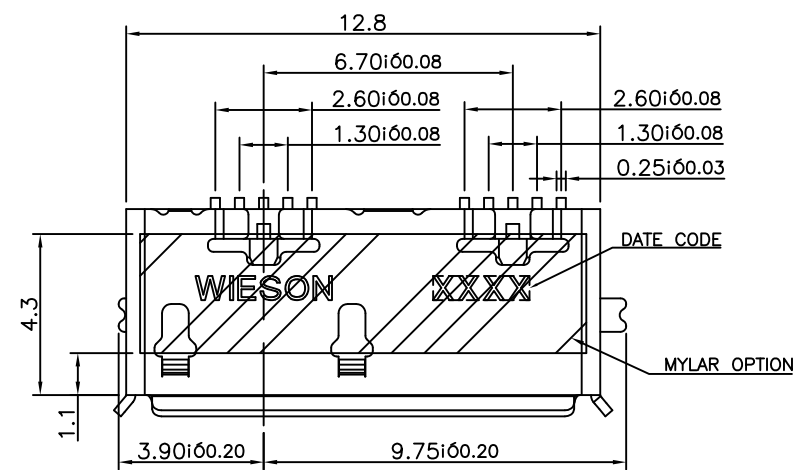
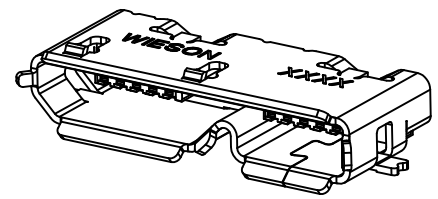
**HF Compliant**

3515 SERIES MICRO USB 3.0 <MICRO B> FEMALE

REV	DATE	DESCRIPTION	ECN NO.	NAME
1.0	10.09.24	NEW RELEASE		SAM HO

- NOTES :
- MATERIAL :
    - TERMINAL : COPPER ALLOY
    - SHELL : STAINLESS STEEL
    - HOUSING : THERMOPLASTIC(UL94V-0) , BLACK.
  - PLATING :
    - TERMINAL : SELECTIVE Au PLATED ON CONTACT AREA (SEE ORDER INFORMATION), 100u" Sn PLATED ON SOLDER TAIL AREA , BOTH OVER 50u" Ni .
    - SHELL : SOLDERABLE Ni OVERALL.
  - PACKING : TAPE&REEL

- 4)ORDER INFORMATION : G3515-50 XX XX XX -H0
- ① [ 00 : W/O MYLAR  
01 : W/ MYLAR
  - ② [ 00 : W/O POST  
01 : W/ POST
  - ③ [ 01 : Au FLASH ON CONTACT AREA  
02 : 3u" Au ON CONTACT AREA  
03 : 15u" Au ON CONTACT AREA  
04 : 30u" Au ON CONTACT AREA



RECOMMENDED PCB LAYOUT (TOP VIEW)  
TOLERANCE: ±0.05mm

GENERAL TOLERANCE X.X = ±0.20 X.XX = ±0.10 X.X* = ±3*	WIESON TECHNOLOGIES CO., LTD		PART NO. G3515-50XXXXXX-H0	
	DRAWING BY	SAM HO (WST)	DRAWING NO.	G3515-50XXXXXX-H0
	CHECKED BY	JACK	DRAWING SIZE	5 : 1   A4
	APPROVED BY	KEVIN	UNIT	mm
⊕	SORTING NO.	WSC	PAGE	1 OF 1

ISSUED