

HF Compliant

3167 SERIES MINI DISPLAYPORT HIGH RISE SPRING TYPE

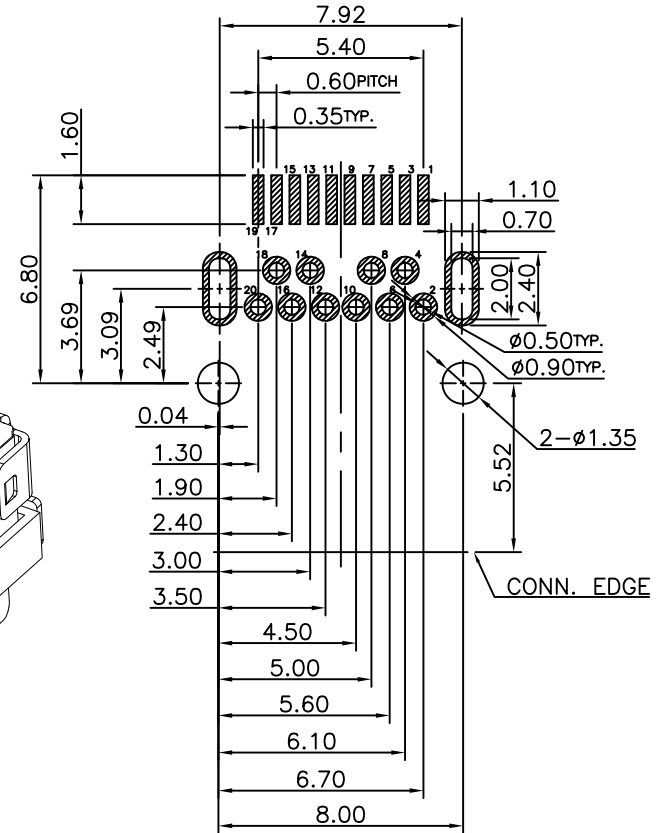
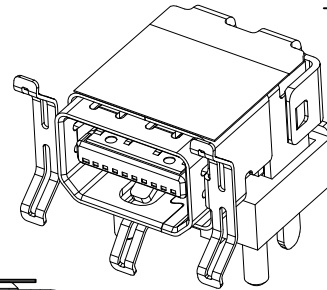
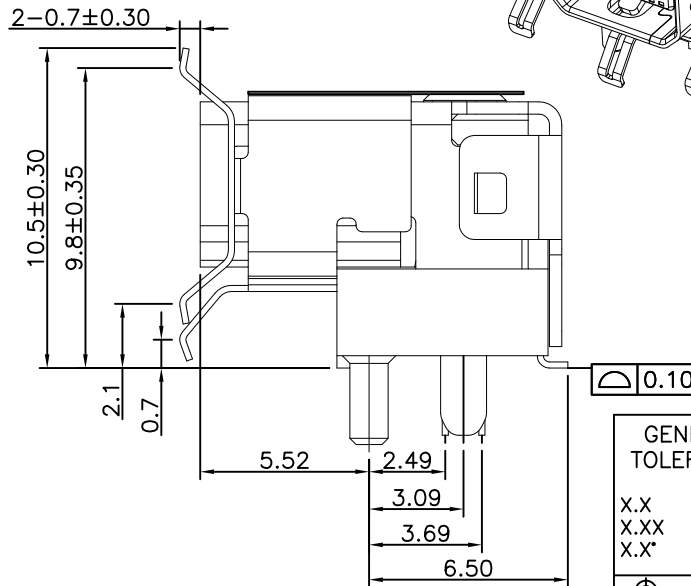
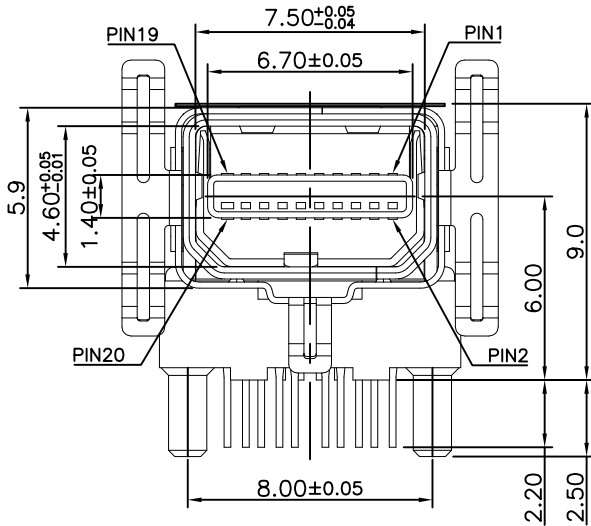
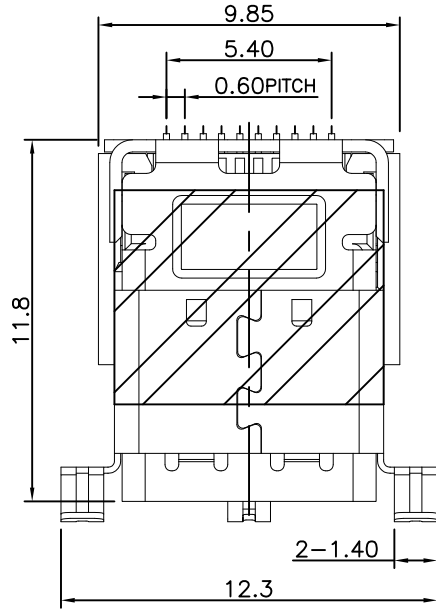
REV	DATE	DESCRIPTION	ECN NO.	NAME
A	12.08.30	NEW RELEASE		SAM HO
B	13.01.28	NEW RELEASE		King

NOTES:

- 1.MATERIAL :
 TERMINAL : COPPER ALLOY ,
 SHELL : STAINLESS STEEL ,
 HOUSING : THERMOPLASTIC(UL94V-0).
 BACK HOUSING : THERMOPLASTIC(UL94V-0).
 SPRING : STAINLESS STEEL .
- 2.PLATING :
 TERMINAL : SELECTIVE Au PLATED ON CONTACT AREA,
 (ORDER INFORMATION), 10u" Sn PLATED ON SOLDER
 TAIL AREA, BOTH OVER 50u" Ni UNDERPLATED OVERALL.
 SHELL : SEE ORDER INFORMATION.
- 3.PACKING : TAPE&REEL.
- 4.ORDER INFORMATION : G3167-15 XX XX XX -H0

- ① { 00 : SHELL 100u" SOLDERABLE Ni OVERALL.
 01 : SHELL GOLD FLASH OVERALL.
- ② { 00 : W/O EMI SPRING
 01 : W/ EMI SPRING
- ③ { 00 : 3u" Au
 01 : 15u" Au
 02 : 30u" Au

A
B
C
D
E



RECOMMENDED PCB LAYOUT (TOP VIEW)
TOLERANCE: ±0.05mm

GENERAL TOLERANCE X.X = ±0.20 X.XX = ±0.15 X.X* = ±3* 	WIESON TECHNOLOGIES CO., LTD WIESON		PART NO.: G3167-15XXXXXX-H0	
	DRAWN BY	SAM HO (WST)	DRAWING NO.	G3167-15XXXXXX-H0
	CHECKED BY	SKY	DRAWING SIZE	4 : 1 A4
	APPROVED BY	JIM	UNIT	mm
	SORTING NO.	WSC	PAGE	1 OF 1

ISSUED

[ARTICLE:044033 V6]