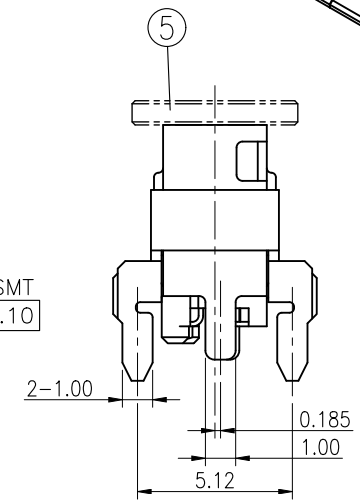
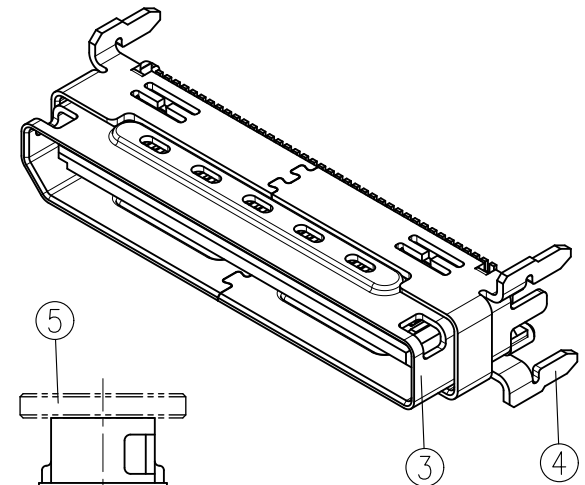
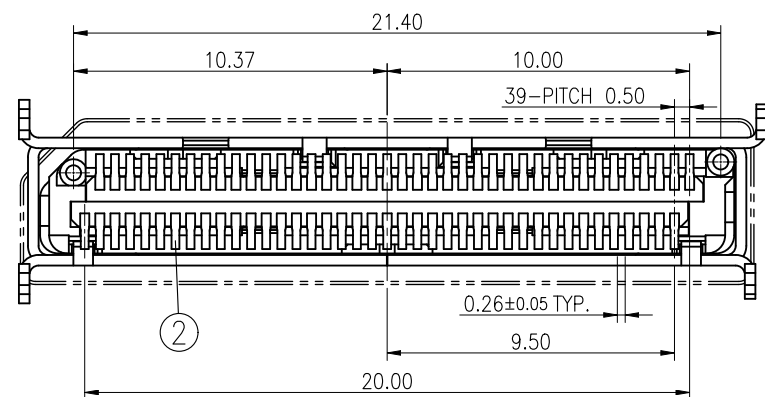
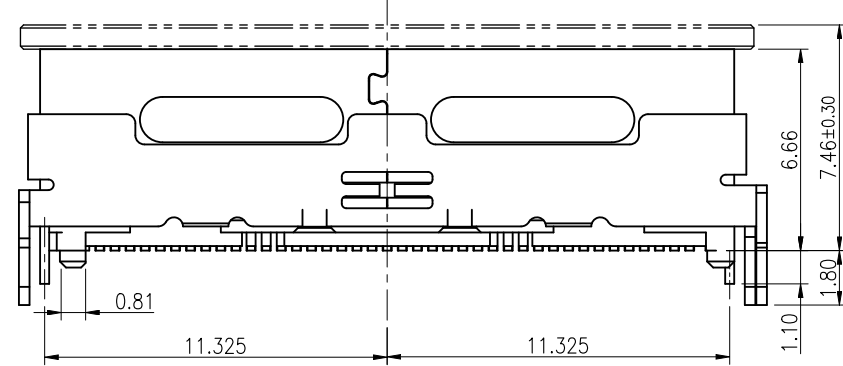
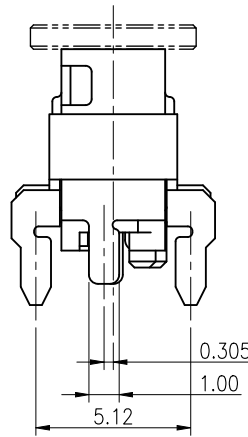
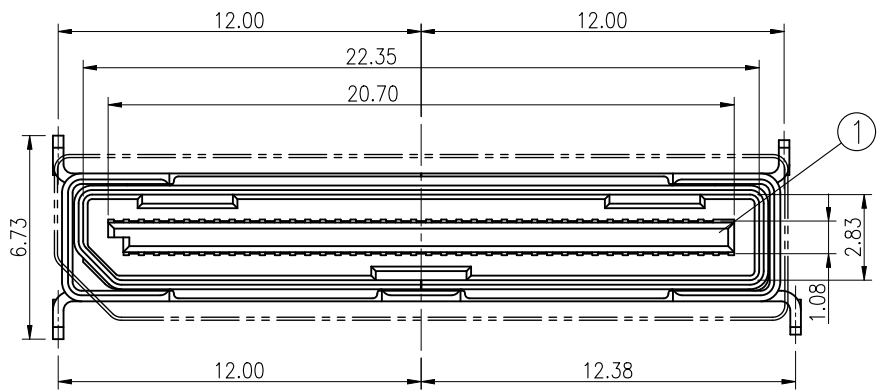


REV	DATE	DESCRIPTION	ECN NO.	NAME
A	19.04.02	PROPOSAL		Patrick

RoHS Compliant

G1213-90 SERIES OCULINK 8i CONNECTOR VERTICAL

A
B
C
D
E



ALL SMT
0.10

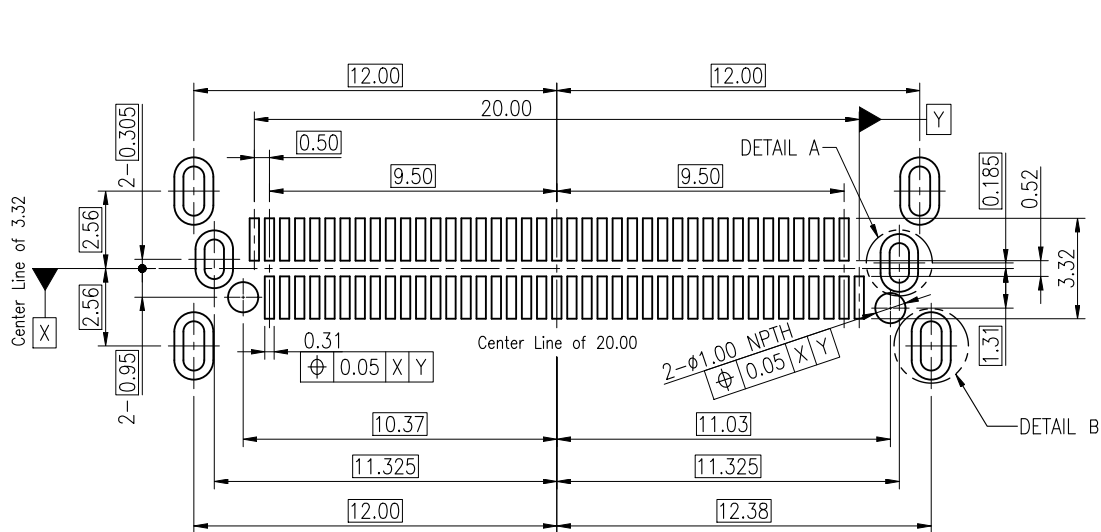
5	CAP
4	JACKET
3	SHELL
2	TERMINAL
1	HOUSING

GENERAL TOLERANCE	WIESON TECHNOLOGIES CO., LTD	PART NO.: G1213-900000XX-00		
X.X = ±0.20		DRAWN BY	Patrick	DRAWING NO.
X.XX = ±0.15	CHECKED BY		DRAWING SIZE	4 : 1 A4
X.X* = ±3*	APPROVED BY		UNIT	mm
Ⓢ	SORTING NO.	WST	PAGE	1 OF 2

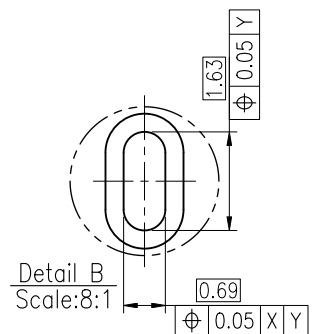
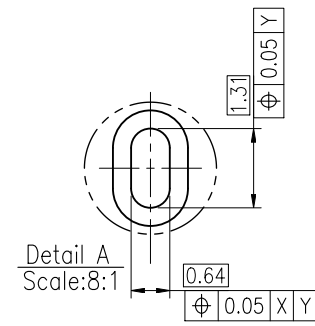
REV	DATE	DESCRIPTION	ECN NO.	NAME
A	19.04.02	PROPOSAL		Patrick

RoHS Compliant

G1213-90 SERIES OCULINK 8i CONNECTOR VERTICAL



RECPMMEND PCB LAYOUT DIMENSION
TOP VIEW / TOLERANCE ±0.05



NOTES:

- MATERIAL:
HOUSING: HIGH TEMPERATURE THERMOPLASTIC 94V-0, BLACK COLOR
TERMINAL: COPPER ALLOY
SHELL AND JACKET: STAINLESS STEEL
- PLATING:
TERMINAL:
SELECTIVE Au ON CONTACT AREA (SEE ORDER INFORMATION), MATTE
Sn ON SOLDER TAIL AREA, BOTH OVER Ni UNDERPLATED OVERALL.
SHELL AND JACKET:
SOLDERABLE Ni PLATED OVERALL.
- PACKING: TAPE & REEL
- ORDER INFORMATION: G1213-900000 XX -00

- ①-02: Au 3u"
- 03: Au 15u"
- 04: Au 30u"

GENERAL TOLERANCE		WIESON TECHNOLOGIES CO., LTD		PART NO.:	
WIESON		DRAWN BY Patrick		G1213-900000XX-00	
X.X	=±0.20	CHECKED BY		DRAWING NO. G1213-900000XX-00	
X.XX	=±0.15	APPROVED BY		DRAWING SIZE 4 : 1 A4	
X.X*	=±3*	SORTING NO. WST		UNIT mm	
①		PAGE		2 OF 2	