

RoHS Compliant

REV	DATE	DESCRIPTION	ECN NO.	NAME
A1	17.11.20	MODIFY THE NUMBER OF LAYOUT	ECN17B6464	Patrick

G1213-SERIES SFF-8639 VERTICAL RECEPTACLE

NOTE

1. MATERIAL

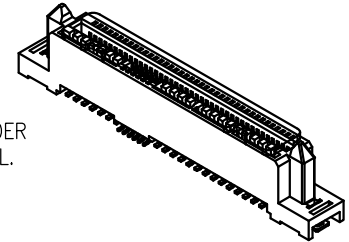
HOUSING : HIGE TEMP. THERMOPLASTIC, UL 94V-0, BLACK.
 CAP: HIGE TEMP. THERMOPLASTIC, UL 94V-0, BLACK.
 TERMINAL : COPPER ALLOY,
 BOARD LOCK : COPPER ALLOY,

2. PLATING

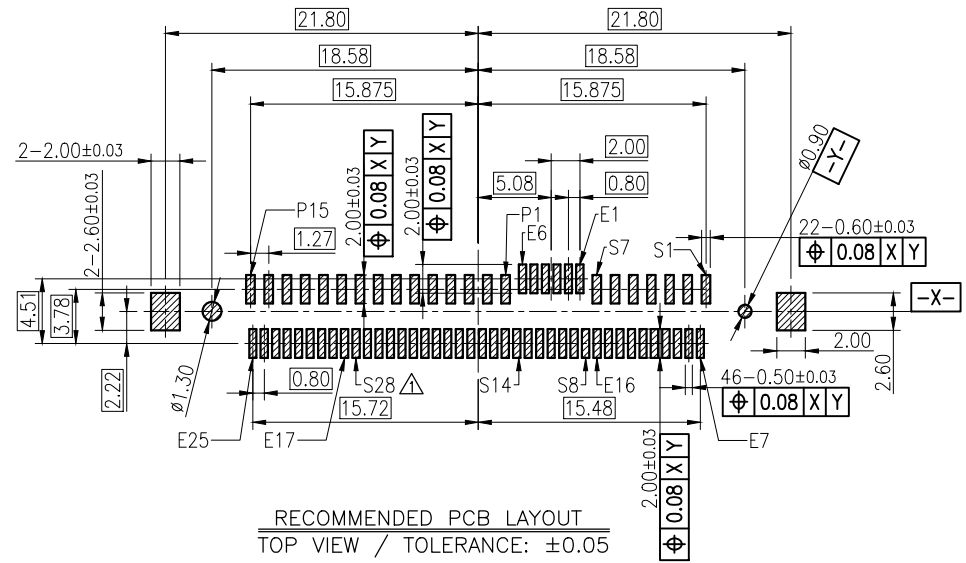
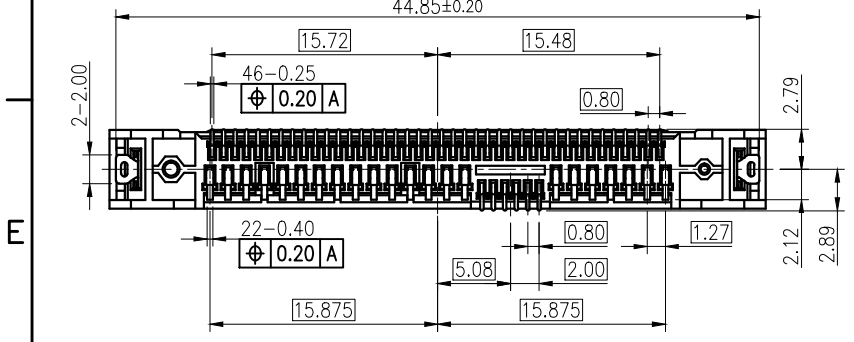
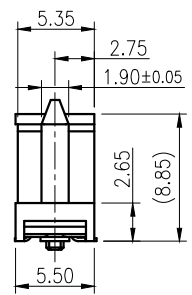
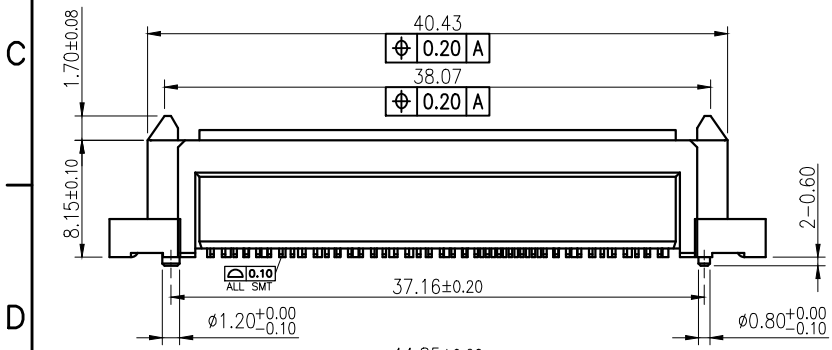
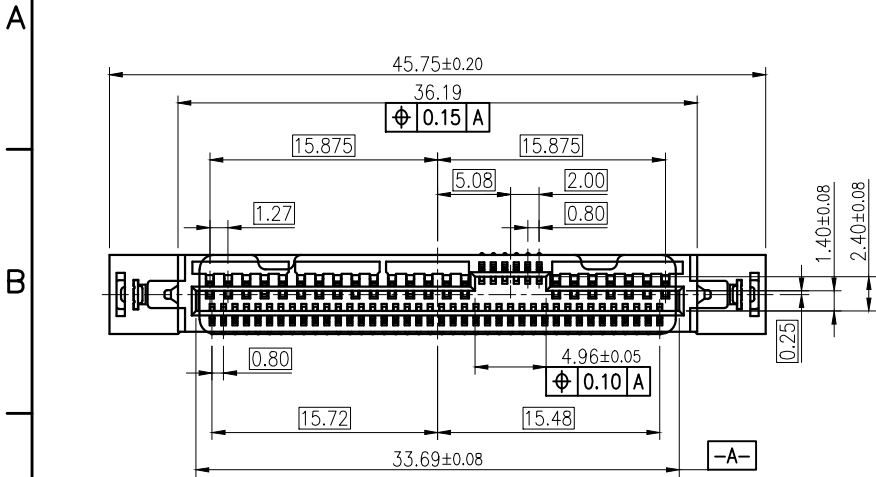
TERMINAL : SELECTIVE Au PLATED ON CONTACT AREA
 (SEE ORDER INFORMATION), Sn PLATED ON SOLDER
 TAIL AREA, BOTH OVER Ni UNDERPLATED OVERALL.
 BOARD LOCK: Sn PLATED ON SOLDER TAIL AREA,
 BOTH OVER Ni UNDERPLATED OVERALL.

3. PACKING: TAPE & REEL.

4. ORDER INFORMATION: G1213-640000 XX -00



- Ⓜ 01: 3u" Au
- Ⓜ 02: 5u" Au
- Ⓜ 03: 15u" Au
- Ⓜ 04: 30u" Au



GENERAL TOLERANCE	WIESON TECHNOLOGIES CO., LTD		PART NO.: G1213-640000XX-00	
	DRAWN BY Patrick		DRAWING NO. G1213-640000XX-00	
X.X = ±0.20	CHECKED BY Hsien		DRAWING SIZE 2 : 1 A4	
X.XX = ±0.15	APPROVED BY Hsien		UNIT mm	
X.X* = ±3'	SORTING NO. WST		PAGE 1 OF 1	