

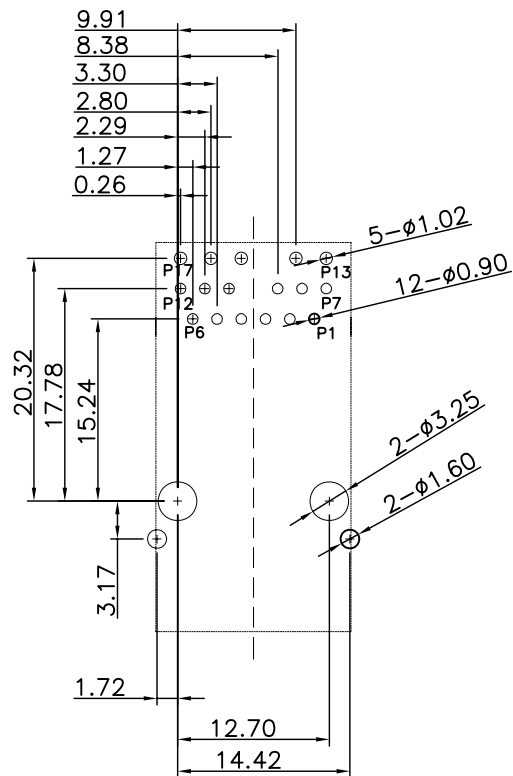
**RoHS Compliant**

RJ45 JACK CONNECTOR (WITH LED/10G TRANSFORMER)

REV	DATE	DESCRIPTION	ECN NO.	NAME
A	16.04.18	PROPOSAL		HHuan

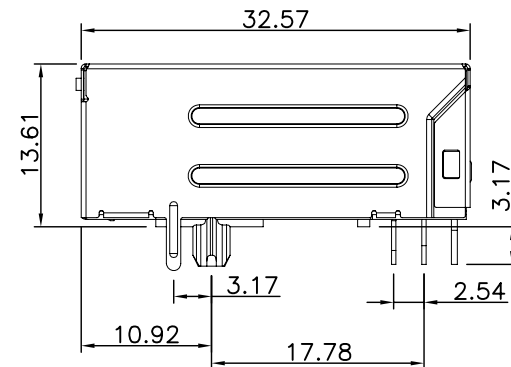
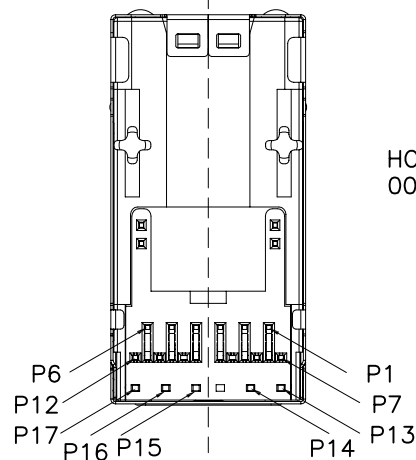
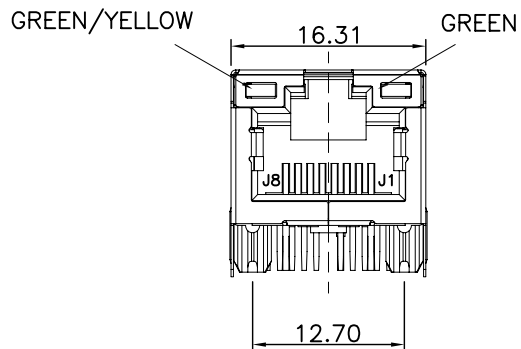
**MATERIAL:**

HOUSING: SEE ORDER INFORMATION (UL94V-0)  
 HOUSING COLOR: SEE ORDER INFORMATION  
 TERMINAL: PHOSPHOR BRONZE  
 TERMINAL PLATING: SELECTIVE Au IN CONTACT AREA, 100u"min  
 Sn IN SOLDER TAIL AREA, BOTH OVER  
 30u" min Ni UNDER PLATED OVERALL  
 SHELL : BRASS  
 SHELL PLATING: Ni PLATED



RECOMMENDED P.C.BOARD  
HOLE LAYOUT

NOTE: P.C.B LAYOUT TOLERANCE: ±0.05mm



ORDER INFORMATION  
 G7416-01 \*\* \* \* \* \* -00

HOUSING MATERIAL&COLOR  
 00: PA66; BLACK

LED OPTION:  
 0: LEFT:GREEN&YELLOW  
 RIGHT:GREEN

TERMINAL PLATING  
 01: 6u" Au PLATED

SPRING OPTION:  
 0: WITHOUT SPRING

GENERAL TOLERANCE ± 0.25mm	WIESON TECHNOLOGIES CO., LTD	PART NO.: G7416-01XXXXXX-00	
		DRAWN BY HHuan(WSC)	DRAWING NO. G7416-01XXXXXX-00
GENERAL ANGLE TOLERANCE ± 3°	CHECKED BY JINKENS	DRAWING SIZE	A4
	APPROVED BY JINKENS	UNIT	mm
⊕	SORTING NO. CA0192(WSC)	PAGE	1 OF 2

PROPOSAL

[ARTICLE:044033 V6]

**RoHS Compliant**

**RJ45 JACK CONNECTOR (WITH LED/10G TRANSFORMER)**

REV	DATE	DESCRIPTION	ECN NO.	NAME
A	16.04.18	PROPOSAL		HHuan

**10G TRANSFORMER**

**ELECTRICAL CHARACTERISTICS @ 25°C**

**TURNS RATIO**

TP1	1CT : 1CT ±3%
TP2	1CT : 1CT ±3%
TP3	1CT : 1CT ±3%
TP4	1CT : 1CT ±3%

**OCL @ 100kHz/100mVRMS (25°C) 160µH MIN.**

**INS. LOSS (MAX)**

1MHz TO 20MHz	-0.8 dB
50MHz	-1.0 dB
200MHz	-1.2 dB
400MHz	-2.0 dB
500MHz	-3.0 dB

**RET. LOSS (MIN) @ 100 OHMS**

1MHz	-18 dB
2MHz	-20 dB
10MHz	-20 dB
100MHz	-20 dB
200MHz	-16 dB
300MHz	-13 dB
400MHz	-10 dB
500MHz	-8 dB

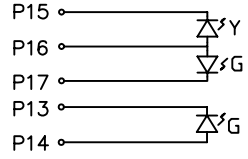
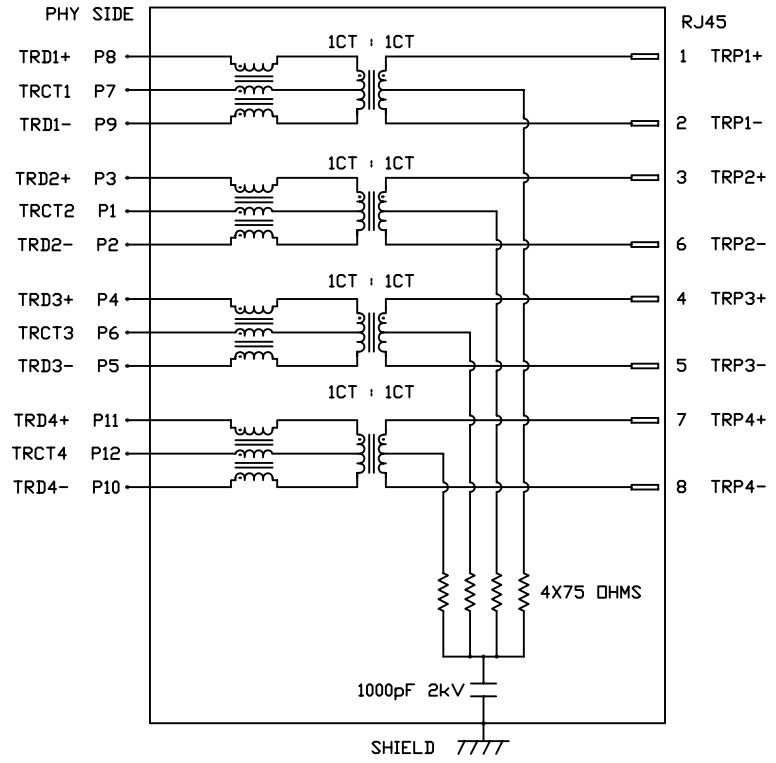
**CM TO CM REJ**  
1MHz - 500MHz -25 dB MIN

**CM TO DM REJ**  
1MHz - 500MHz -25 dB MIN

**HIPOT (Isolation Voltage): 2250 VDC**

**100% OF PRODUCTION TESTED TO COMPLY WITH IEEE 802.3 ISOLATION REQUIREMENTS.**

LED SPECIFICATION				
STANDARD LED	WAVELENGTH	Forward Current	Forward V(max)	TYP
GREEN	565nm	20 mA	2.4V	2.2V
YELLOW	590nm	20 mA	2.5V	2.1V



Pin	Green	Yellow	Green
P13	-	P15	-
P14	+	P16	+
		P17	-

GENERAL TOLERANCE ± 0.25mm  GENERAL ANGLE TOLERANCE ± 3°	WIESON TECHNOLOGIES CO., LTD	PART NO.: G7416-01XXXXXX-00		
	DRAWN BY	HHuan(WSC)	DRAWING NO.	G7416-01XXXXXX-00
	CHECKED BY	JINKENS	DRAWING SIZE	A4
	APPROVED BY	JINKENS	UNIT	mm
	SORTING NO.	CA0192(WSC)	PAGE	2 OF 2

**PROPOSAL**

**[ARTICLE:044033 V6]**