

**RoHS Compliant**

RJ45 JACK DIP TYPE;WITH 10G TRANSFORMER

REV	DATE	DESCRIPTION	ECN NO.	NAME
A	16.04.18	PROPOSAL		HHuan

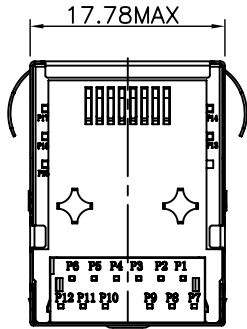
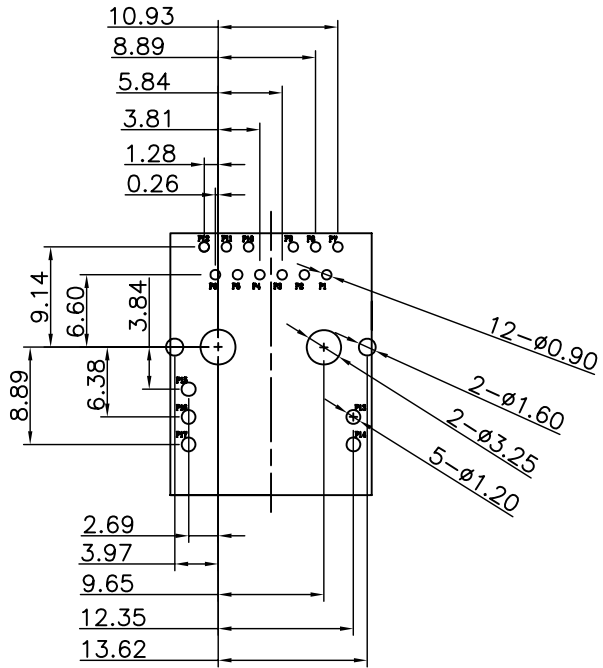
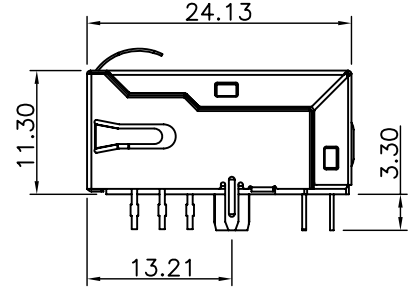
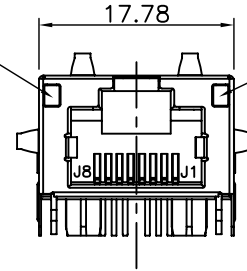
**MATERIAL:**

HOUSING: SEE ORDER INFORMATION (UL94V-0)  
 HOUSING COLOR: SEE ORDER INFORMATION  
 TERMINAL: PHOSPHOR BRONZE  
 TERMINAL PLATING: SELECTIVE Au IN CONTACT AREA, 100u"min  
 Sn IN SOLDER TAIL AREA, BOTH OVER  
 30u" min Ni UNDER PLATED OVERALL

SHELL : BRASS  
 SHELL PLATING: Ni PLATED

GREEN/YELLOW

GREEN



ORDER INFORMATION  
 G7416-02 \* \* \* \* \* -00

HOUSING MATERIAL&COLOR  
 00: PA66; BLACK

TERMINAL PLATING  
 01: 6u" Au PLATED

LED OPTION:  
 0: LEFT:GREEN&YELLOW  
 RIGHT:GREEN

SPRING OPTION:  
 0: WITH SPRING

RECOMMENDED P.C.BOARD

NOTE: P.C.B LAYOUT TOLERANCE: ±0.05mm

GENERAL TOLERANCE ± 0.25mm  GENERAL ANGLE TOLERANCE ± 3°	WIESON TECHNOLOGIES CO., LTD <small>WIESON</small>		PART NO.: G7416-02XXXXXX-00	
	DRAWN BY	HHuan(WSC)	DRAWING NO.	G7416-02XXXXXX-00
	CHECKED BY	JINKENS	DRAWING SIZE	A4
	APPROVED BY	JINKENS	UNIT	mm
	SORTING NO.	CA0192(WSC)	PAGE	1 OF 2

**PROPOSAL**

[ARTICLE:044033 V6]

**RoHS Compliant**

REV	DATE	DESCRIPTION	ECN NO.	NAME
A	16.04.18	PROPOSAL		HHuan

RJ45 JACK DIP TYPE;WITH 10G TRANSFORMER

ELECTRICAL CHARACTERISTICS @ 25°C

TURNS RATIO

TP1	1CT : 1CT ±3%
TP2	1CT : 1CT ±3%
TP3	1CT : 1CT ±3%
TP4	1CT : 1CT ±3%

OC L @ 100kHz/100mVRMS (25°C) 160µH MIN.

INS. LOSS (MAX)

1MHz TO 20MHz	-0.8 dB
50MHz	-1.0 dB
200MHz	-1.2 dB
400MHz	-2.0 dB
500MHz	-3.0 dB

RET. LOSS (MIN) @ 100 OHMS

1MHz	-18 dB
2MHz	-20 dB
10MHz	-20 dB
100MHz	-20 dB
200MHz	-16 dB
300MHz	-13 dB
400MHz	-10 dB
500MHz	-8 dB

CM TO CM REJ  
1MHz - 500MHz -25 dB MIN

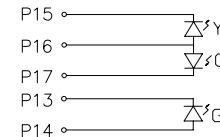
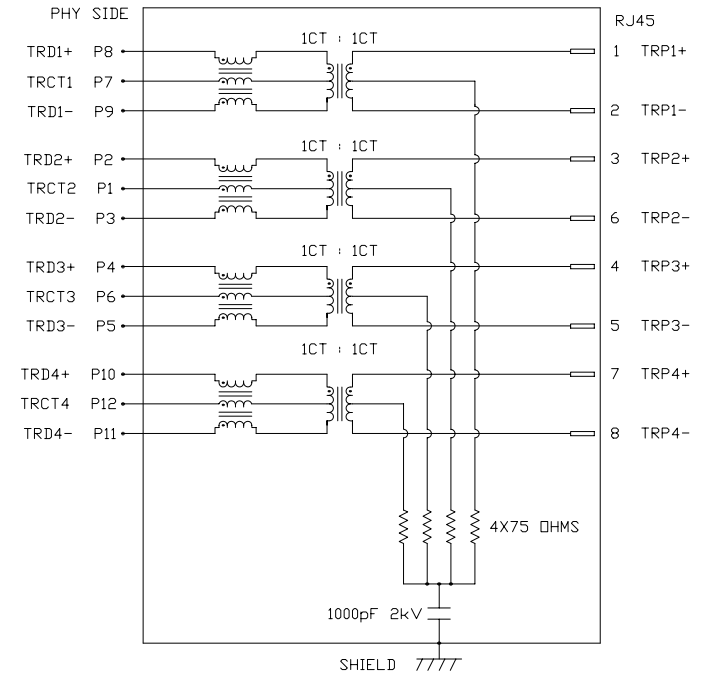
CM TO DM REJ  
1MHz - 500MHz -25 dB MIN

HIPOT (Isolation Voltage): 2250 VDC

100% OF PRODUCTION TESTED TO COMPLY WITH IEEE 802.3 ISOLATION REQUIREMENTS.

LED SPECIFICATION				
STANDARD LED	WAVELENGTH	Forward Current	Forward V(max)	TYP
GREEN	565nm	20 mA	2.4V	2.2V
YELLOW	590nm	20 mA	2.5V	2.1V

10G TRANSFORMER



Pin	Green	Yellow	Green
P13	-	P15	-
P14	+	P16	+
		P17	-

GENERAL TOLERANCE ± 0.25mm	WIESON TECHNOLOGIES CO., LTD		PART NO.: G7416-02XXXXXX-00	
	DRAWN BY	HHuan(WSC)	DRAWING NO.	G7416-02XXXXXX-00
	CHECKED BY	JINKENS	DRAWING SIZE	A4
	APPROVED BY	JINKENS	UNIT	mm
GENERAL ANGLE TOLERANCE ± 3°	SORTING NO.	CA0192(WSC)	PAGE	2 OF 2

PROPOSAL

[ARTICLE:044033 V6]