

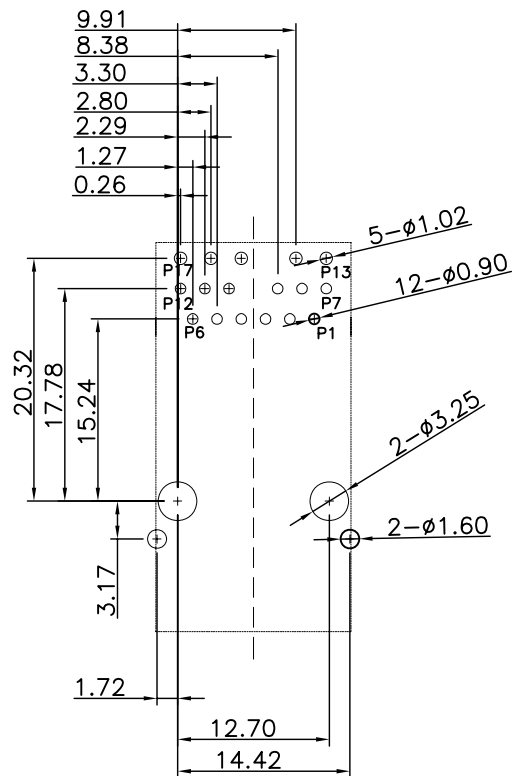
RoHS Compliant

RJ45 JACK CONNECTOR (WITH LED/10G TRANSFORMER)

REV	DATE	DESCRIPTION	ECN NO.	NAME
A	16.04.18	PROPOSAL		HHuan

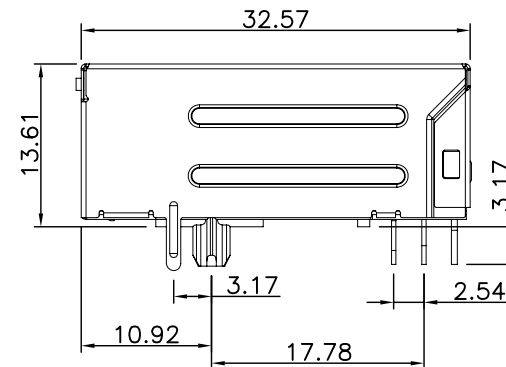
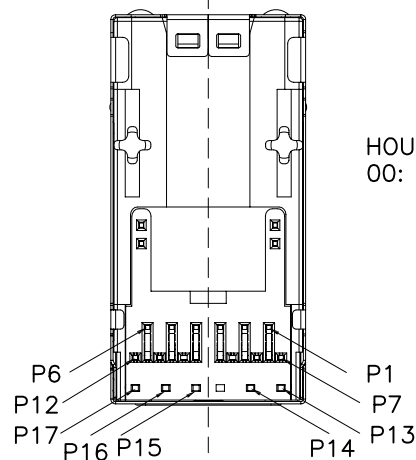
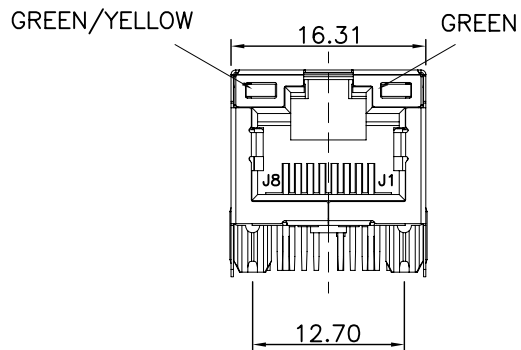
MATERIAL:

HOUSING: SEE ORDER INFORMATION (UL94V-0)
 HOUSING COLOR: SEE ORDER INFORMATION
 TERMINAL: PHOSPHOR BRONZE
 TERMINAL PLATING: SELECTIVE Au IN CONTACT AREA, 100u"min
 Sn IN SOLDER TAIL AREA, BOTH OVER
 30u" min Ni UNDER PLATED OVERALL
 SHELL : BRASS
 SHELL PLATING: Ni PLATED



RECOMMENDED P.C.BOARD
HOLE LAYOUT

NOTE: P.C.B LAYOUT TOLERANCE: ±0.05mm



ORDER INFORMATION
G7416-03 ** * * * -00

HOUSING MATERIAL&COLOR
00: PA66; BLACK

TERMINAL PLATING
01: 6u" Au PLATED

LED OPTION:
0: LEFT:GREEN&YELLOW
RIGHT:GREEN

SPRING OPTION:
0: WITHOUT SPRING

GENERAL TOLERANCE ± 0.25mm	WIESON TECHNOLOGIES CO., LTD		PART NO.: G7416-03XXXXXX-00	
	WIESON		DRAWN BY	HHuan(WSC)
GENERAL ANGLE TOLERANCE ± 3°	CHECKED BY	JINKENS	DRAWING NO.	G7416-03XXXXXX-00
	APPROVED BY	JINKENS	DRAWING SIZE	A4
	SORTING NO.	CA0192(WSC)	UNIT	mm
			PAGE	1 OF 2

PROPOSAL

[ARTICLE:044033 V6]

RoHS Compliant

RJ45 JACK CONNECTOR (WITH LED/10G TRANSFORMER)

REV	DATE	DESCRIPTION	ECN NO.	NAME
A	16.04.18	PROPOSAL		HHuan

10G TRANSFORMER

ELECTRICAL CHARACTERISTICS @ 25°C

URNS RATIO

TP1	1CT : 1CT ±3%
TP2	1CT : 1CT ±3%
TP3	1CT : 1CT ±3%
TP4	1CT : 1CT ±3%

OCL @ 100kHz/100mVRMS (25°C) 160µH MIN.

INS. LOSS (MAX)

1MHz TO 20MHz	-0.8 dB
50MHz	-1.0 dB
200MHz	-1.2 dB
400MHz	-2.0 dB
500MHz	-3.0 dB

RET. LOSS (MIN) @ 100 OHMS

1MHz	-18 dB
2MHz	-20 dB
10MHz	-20 dB
100MHz	-20 dB
200MHz	-16 dB
300MHz	-13 dB
400MHz	-10 dB
500MHz	-8 dB

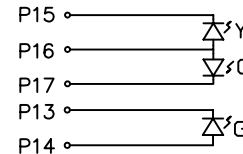
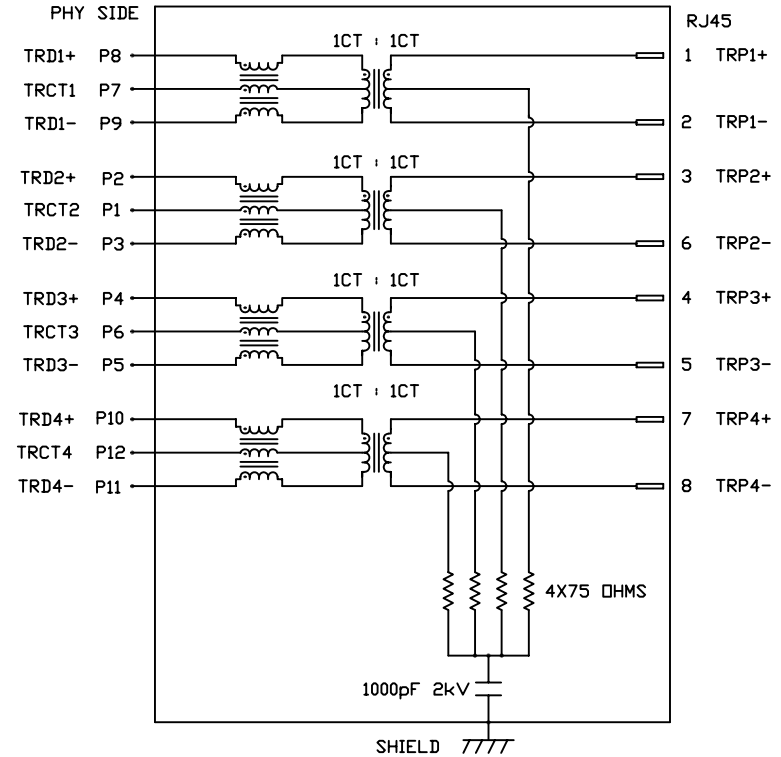
CM TO CM REJ
1MHz - 500MHz -25 dB MIN

CM TO DM REJ
1MHz - 500MHz -25 dB MIN

HIPOT (Isolation Voltage): 2250 VDC

100% OF PRODUCTION TESTED TO COMPLY WITH IEEE 802.3 ISOLATION REQUIREMENTS.

LED SPECIFICATION				
STANDARD LED	WAVELENGTH	Forward Current	Forward V(max)	TYP
GREEN	565nm	20 mA	2.4V	2.2V
YELLOW	590nm	20 mA	2.5V	2.1V



Pin	Green	Yellow	Green
P13	-	P15	-
P14	+	P16	+
		P17	-

GENERAL TOLERANCE ± 0.25mm GENERAL ANGLE TOLERANCE ± 3°	WIESON TECHNOLOGIES CO., LTD	PART NO.: G7416-03XXXXXX-00		
	DRAWN BY	HHuan(WSC)	DRAWING NO.	G7416-03XXXXXX-00
	CHECKED BY	JINKENS	DRAWING SIZE	A4
	APPROVED BY	JINKENS	UNIT	mm
	SORTING NO.	CA0192(WSC)	PAGE	2 OF 2

PROPOSAL

[ARTICLE:044033 V6]