

**RoHS Compliant**

7412 SERIES RJ45 JACK DIP TYPE

REV	DATE	DESCRIPTION	ECN NO.	NAME
A	14.03.20	PROPOSAL		HHuan

**MATERIAL:**

HOUSING: SEE ORDER INFORMATION(UL94V-0)  
 HOUSING COLOR: SEE ORDER INFORMATION  
 TERMINAL: COPPER ALLOY  
 TERMINAL PLATING: SEE ORDER INFORMATION  
 SHELL: COPPER ALLOY  
 SHELL PLATING: Ni PLATED

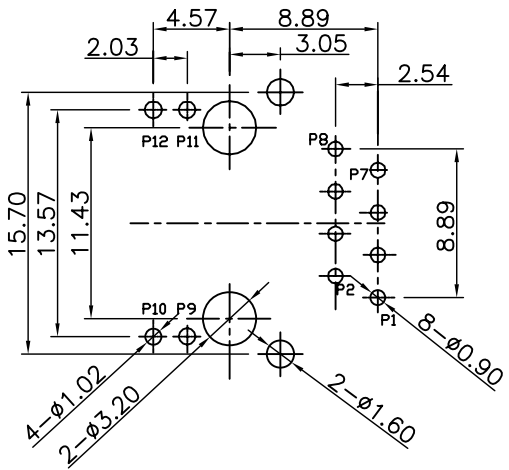
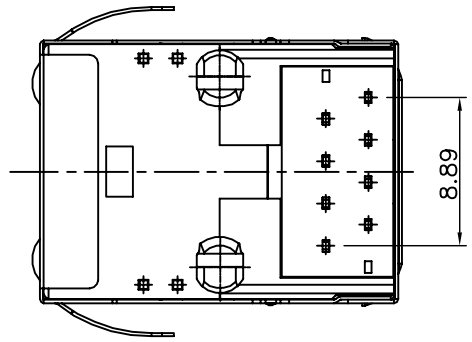
**ORDER INFORMATION**  
 G7412-01 \* \* \* \* \* -00

**HOUSING MATERIAL**  
 0: PBT  
 1: PA66

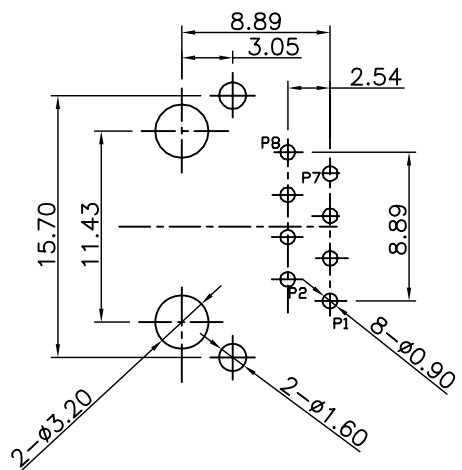
**HOUSING COLOR**  
 0: BALCK  
 1: YELLOW

**TERMINAL PLATING**  
 01: 6u" Au  
 02: 15u" Au  
 03: 30u" Au  
 04: 50u" Au

**LED & SPRING**  
 00: WITH LED, WITH SPRING  
 01: W/O LED, WITH SPRING  
 02: WITH LED, W/O SPRING  
 03: W/O LED, W/O SPRING



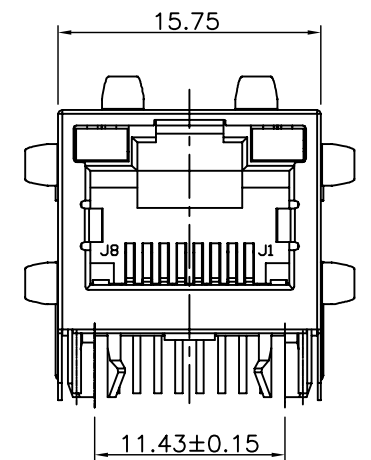
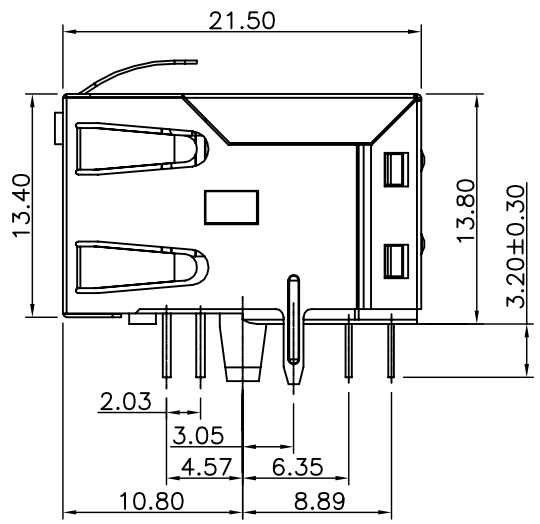
WITH LED



WITH OUT LED

RECOMMENDED P.C.BOARD

NOTE: P.C.B LAYOUT TOLERANCE: ±0.05mm



GENERAL TOLERANCE ± 0.25mm  GENERAL ANGLE TOLERANCE ± 3°	WIESON TECHNOLOGIES CO., LTD WIESON		PART NO.: G7412-01*****-00	
	DRAWN BY	HHuan(WSC)	DRAWING NO.	G7412-01*****-00
	CHECKED BY	JINKENS	DRAWING SIZE	A4
	APPROVED BY	JINKENS	UNIT	mm
	SORTING NO.	CA0192(WSC)	PAGE	1 OF 2

**PROPOSAL**

[ARTICLE:044033 V6]

**RoHS Compliant**

7412 SERIES RJ45 JACK DIP TYPE

REV	DATE	DESCRIPTION	ECN NO.	NAME
A	14.03.20	PROPOSAL		HHuan

**ELECTRICAL SPECIFICATIONS:**

1.0 TURNS RATIO:

(P4-P3):(J1-J2) :1:1±3%

(P8-P7):(J3-J6) :1:1±3%

2.0 INDUCTANCE:

(P4-P3):350uH MIN. @ 0.1V,100KHz, 8mA DC BIAS

(P8-P7):350uH MIN. @ 0.1V,100KHz, 8mA DC BIAS

3.0 LEAKAGE INDUCTANCE:

P4-P3(WITH J1 AND J2 SHORT) :0.35uH MAX. @ 1MHz

P8-P7(WITH J3 AND J6 SHORT) :0.35uH MAX. @ 1MHz

4.0 INTERWINDING CAPACITANCE:

(P4-P3):(J1-J2):35pF MAX @ 1MHz

(P8-P7):(J3-J6):35pF MAX @ 1MHz

5.0 DC RESISTANCE: (J1-J2):(J3-J6)

:1.2 OHMS MAX.

6.0 RETURN LOSS:

1MHz TO 30MHz : -18dB MIN.

30MHz TO 60MHz : -(18-20log(f/30))dB MIN(WHERE f IS IN MHz).

60MHz TO 80MHz : -12dB MIN.

7.0 DIELECTRIC WITHSTAND:

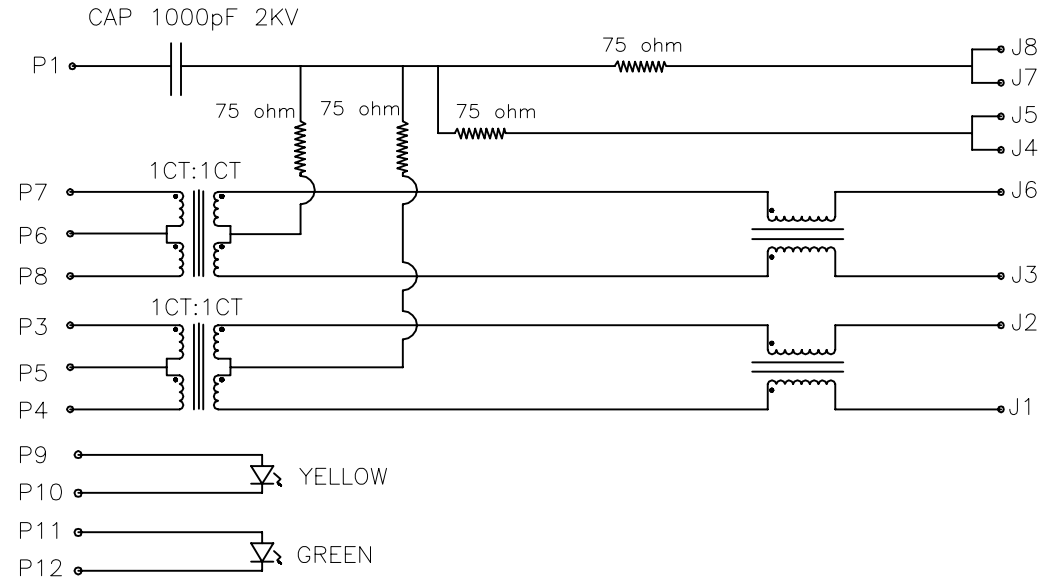
(P4-P3):(J1-J2) :1500 VAC OR 2250VDC

(P8-P7):(J3-J6) :1500 VAC OR 2250VDC

8.0 INSERTION LOSS: 100KHz TO 100MHz : -1.2dB MAX

9.0 CROSS TALK: 1MHz TO 100 MHz : -35dB MIN

10.0 COMMON TO COMMON MODE ATTENUATION: 30 MHz TO 100MHz :-30dB MIN



GENERAL TOLERANCE ± 0.25mm	WIESON TECHNOLOGIES CO., LTD		PART NO.: G7412-01*****-00	
	DRAWN BY	HHuan(WSC)	DRAWING NO.	G7412-01*****-00
	CHECKED BY	JINKENS	DRAWING SIZE	A4
	APPROVED BY	JINKENS	UNIT	mm
GENERAL ANGLE TOLERANCE ± 3°	SORTING NO.	CA0192(WSC)	PAGE	2 OF 2

PROPOSAL

[ARTICLE:044033 V6]