

**RoHS Compliant**

RJ45 JACK DIP TYPE WITH 1000M TRANSFORMER

REV	DATE	DESCRIPTION	ECN NO.	NAME
A	14.08.25	PROPOSAL		HHuan

**MATERIAL:**

HOUSING: SEE ORDER INFORMATION(UL94V-0)  
 HOUSING COLOR: SEE ORDER INFORMATION  
 TERMINAL: COPPER ALLOY  
 TERMINAL PLATING: SEE ORDER INFORMATION  
 SHELL: COPPER ALLOY  
 SHELL PLATING: Ni PLATED

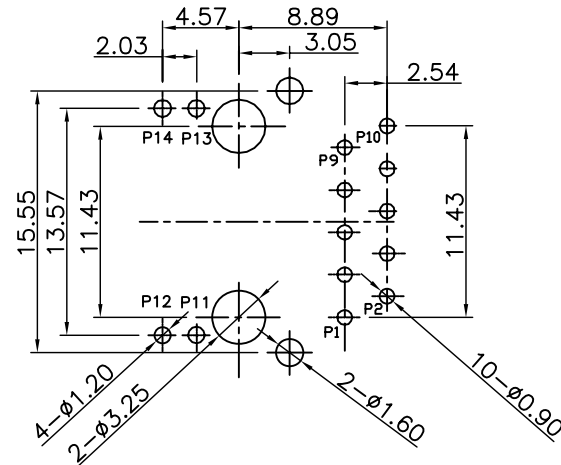
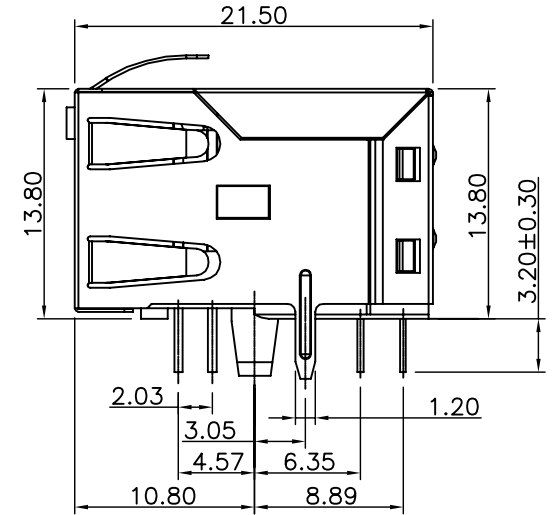
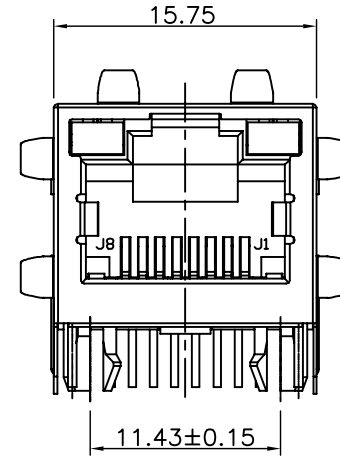
**ORDER INFORMATION**  
 G7412-02 \* \* \* \* \* -00

**HOUSING MATERIAL**  
 0: PBT  
 1: PA66

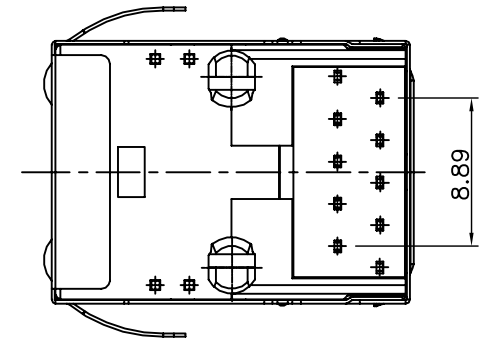
**HOUSING COLOR**  
 0: BALCK

**TERMINAL PLATING**  
 01: 6u" Au  
 02: 15u" Au  
 03: 30u" Au  
 04: 50u" Au

**LED & SPRING**  
 00: WITH LED, WITH SPRING



RECOMMENDED P.C.BOARD  
 NOTE: P.C.B LAYOUT TOLERANCE: ±0.05mm



GENERAL TOLERANCE ± 0.25mm	WIESON TECHNOLOGIES CO., LTD		PART NO.: G7412-02*****-00	
	WIESON			
GENERAL ANGLE TOLERANCE ± 3°	DRAWN BY	HHuan(WSC)	DRAWING NO.	G7412-02*****-00
	CHECKED BY	JINKENS	DRAWING SIZE	A4
	APPROVED BY	JINKENS	UNIT	mm
	SORTING NO.	CA0192(WSC)	PAGE	1 OF 2

PROPOSAL

[ARTICLE:044033 V6]

**RoHS Compliant**

RJ45 JACK DIP TYPE WITH 1000M TRANSFORMER

REV	DATE	DESCRIPTION	ECN NO.	NAME
A	14.08.25	PROPOSAL		HHuan

**ELECTRICAL SPECIFICATIONS:**

**1.0 TURNS RATIO:**

- (P1-P2):(J1-J2) :1:1±5%
- (P3-P4):(J3-J6) :1:1±5%
- (P7-P8):(J4-J5) :1:1±5%
- (P9-P10):(J7-J8) :1:1±5%

**2.0 PRIMARY INDUCTANCE:**

350uH MIN. @ 0.1V, 100KHz, 8mA DC BIAS

**3.0 DC RESISTANCE:**

:1.2 OHMS MAX.

**4.0 RETURN LOSS:**

- 1MHz TO 40MHz : -16dB MIN.
- 40MHz TO 60MHz : -12dB MIN.
- 60MHz TO 80MHz : -10dB MIN.
- 80MHz TO 100MHz : -8dB MIN.

**5.0 DIELECTRIC WITHSTAND:**

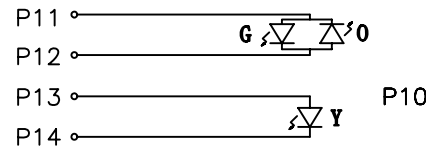
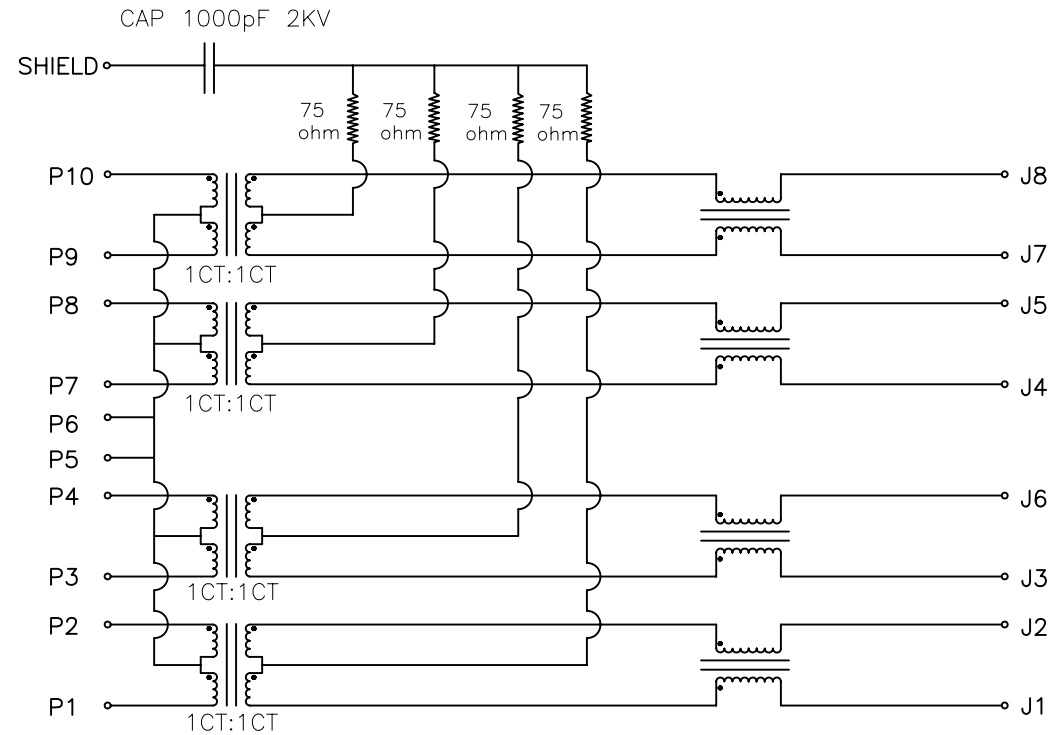
- (P4-P3):(J1-J2) :1500 VAC OR 2250VDC
- (P8-P7):(J3-J6) :1500 VAC OR 2250VDC

- 6.0 INSERTION LOSS: 1MHZ TO 100MHZ : -1.0dB MAX
- 100MHZ TO 125MHZ : -1.2dB MAX

- 7.0 CROSS TALK: 1MHz TO 100 MHz : -30dB MIN

- 8.0 COMMON TO COMMON MODE ATTENUATION: 1MHz TO 100MHz :-30dB MIN

- 9.0 ISOLATION:PHY SIDE TO LINE SIDE:2250VDC



Pin	Green	Orange		Yellow
P11	+	-	P13	+
P12	-	+	P14	-

GENERAL TOLERANCE ± 0.25mm GENERAL ANGLE TOLERANCE ± 3°	WIESON TECHNOLOGIES CO., LTD	PART NO.: G7412-02*****-00		
	DRAWN BY	HHuan(WSC)	DRAWING NO.	G7412-02*****-00
	CHECKED BY	JINKENS	DRAWING SIZE	A4
	APPROVED BY	JINKENS	UNIT	mm
	SORTING NO.	CA0192(WSC)	PAGE	2 OF 2

PROPOSAL

[ARTICLE:044033 V6]