

**RoHS Compliant**

7412 SERIES RJ45 JACK DIP TYPE

REV	DATE	DESCRIPTION	ECN NO.	NAME
A	13.08.05	PROPOSAL		LRP
A1	13.08.16	△ MODIFY		PENGSG

**MATERIAL:**

HOUSING: SEE ORDER INFORMATION(UL94V-0)  
 HOUSING COLOR: SEE ORDER INFORMATION  
 TERMINAL: COPPER ALLOY  
 TERMINAL PLATING: SEE ORDER INFORMATION  
 SHELL: COPPER ALLOY  
 SHELL PLATING: Ni PLATED

ORDER INFORMATION  
 G7412-11 \* \* \* \* \* -00

**HOUSING MATERIAL**

- 0: PBT
- 1: PA66
- 2: PA46

**HOUSING COLOR**

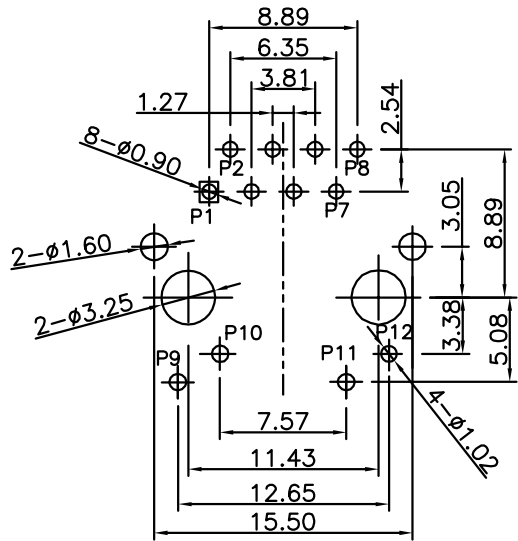
- 0: BALCK
- 1: YELLOW

**TERMINAL PLATING**

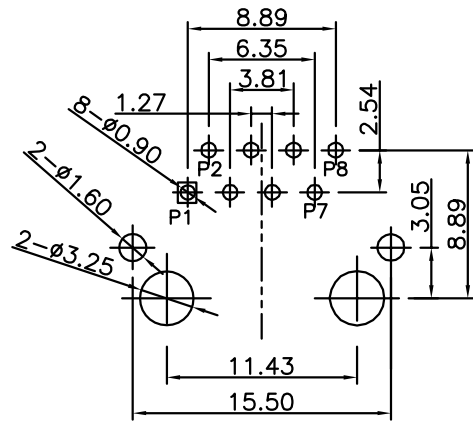
- 01: 6u" Au
- 02: 15u" Au
- 03: 30u" Au
- 04: 50u" Au

**LED & SPRING**

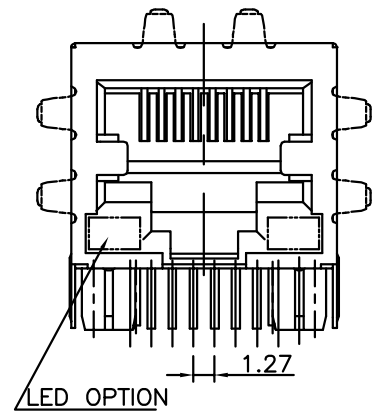
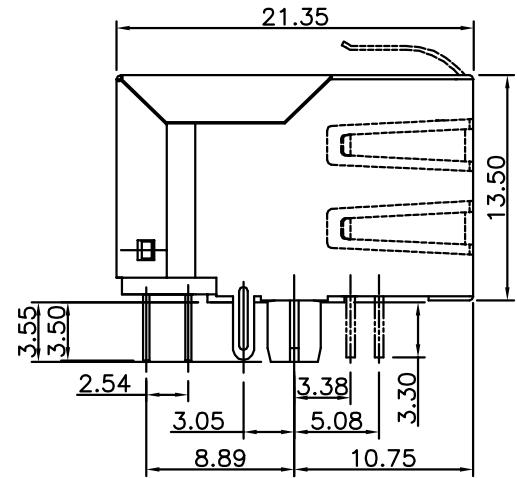
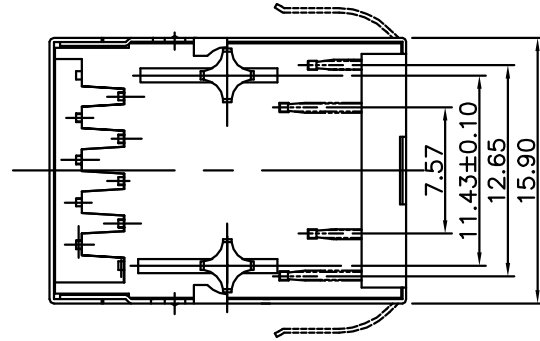
- 00: WITH LED, WITH SPRING
- 01: W/O LED, WITH SPRING
- 02: WITH LED, W/O SPRING
- 03: W/O LED, W/O SPRING



WITH LED



WITH OUT LED



LED OPTION

RECOMMENDED P.C.BOARD  
 NOTE: P.C.B LAYOUT TOLERANCE: ±0.05mm

GENERAL TOLERANCE ± 0.25mm	WIESON TECHNOLOGIES CO., LTD		PART NO.: G7412-11*****-00	
	WIESON			
GENERAL ANGLE TOLERANCE ± 3°	DRAWN BY	PENGSG(WSC)	DRAWING NO.	G7412-11*****-00
	CHECKED BY	JINKENS	DRAWING SIZE	A4
	APPROVED BY	JINKENS	UNIT	mm
	SORTING NO.	CA0192(WSC)	PAGE	1 OF 2

**PROPOSAL**

[ARTICLE:044033 V6]

**RoHS Compliant**

7412 SERIES RJ45 JACK DIP TYPE

REV	DATE	DESCRIPTION	ECN NO.	NAME
A	13.08.05	PROPOSAL		LRP
A1	13.08.16	△ MODIFY		PENGSG

**ELECTRICAL SPECIFICATIONS:**

**1.0 TURNS RATIO:**

(P1-P2):(J1-J2) :1:1±3%  
 (P3-P6):(J3-J6) :1:1±3%

**2.0 INDUCTANCE:**

(P1-P2):350uH MIN. @ 0.1V,100KHz, 8mA DC BIAS  
 (P3-P6):350uH MIN. @ 0.1V,100KHz, 8mA DC BIAS

**3.0 LEAKAGE INDUCTANCE:**

P1-P2(WITH J1 AND J2 SHORT) :0.35uH MAX. @ 1MHz  
 P3-P6(WITH J3 AND J6 SHORT) :0.35uH MAX. @ 1MHz

**4.0 INTERWINDING CAPACITANCE:**

(P1-P2):(J1-J2):35pF MAX @ 1MHz  
 (P3-P6):(J3-J6):35pF MAX @ 1MHz

**5.0 DC RESISTANCE:** (J1-J2):(J3-J6) :1.2 OHMS MAX.

**6.0 RETURN LOSS:**

1MHz TO 30MHz : -18dB MIN.  
 30MHz TO 60MHz : -(18-20log(f/30))dB MIN(WHERE f IS IN MHz).  
 60MHz TO 80MHz : -12dB MIN.

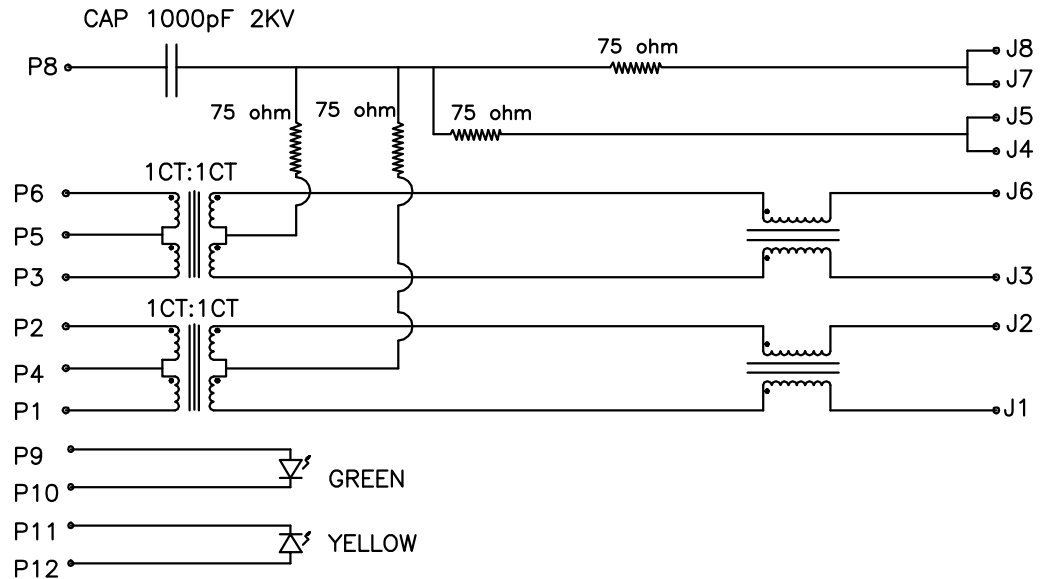
**7.0 DIELECTRIC WITHSTAND:**

(P1-P2):(J1-J2) :1500 VAC OR 2250VDC  
 (P3-P6):(J3-J6) :1500 VAC OR 2250VDC

**8.0 INSERTION LOSS:** 100KHz TO 100MHz : -1.2dB MAX

**9.0 CROSS TALK:** 1MHz TO 100 MHz : -35dB TYP

**10.0 COMMON TO COMMON MODE ATTENUATION:** 30 MHz TO 100MHz :-30dB TYP



GENERAL TOLERANCE ± 0.25mm	WIESON TECHNOLOGIES CO., LTD		PART NO.: G7412-11*****-00	
	DRAWN BY	PENGSG(WSC)	DRAWING NO.	G7412-11*****-00
GENERAL ANGLE TOLERANCE ± 3°	CHECKED BY	JINKENS	DRAWING SIZE	A4
	APPROVED BY	JINKENS	UNIT	mm
⊕	SORTING NO.	CA0192(WSC)	PAGE	2 OF 2

**PROPOSAL**

[ARTICLE:044033 V6]