

RoHS Compliant

FOR REFERENCE ONLY

REV	DATE	DESCRIPTION	ECN NO.	NAME
A	07.06.21	PROPOSAL		Amcen
A1	12.03.02	△ MODIFY		XHTao

RJ-45 MODULAR JACK

MATERIAL

HOSING : SEE ORDER INFORMATION (UL94V-0)
 HOUSING COLOR: SEE ORDER INFORMATION
 TERMINAL: PHOSPHOR BRONZE
 TERMINAL PLATING: SELECTIVE Au IN CONTACT AREA, 100u" min. Sn IN SOLDER TAIL AREA, BOTH OVER 50u" min. Ni UNDER PLATED OVERALL

SHELL: BRASS
 SHELL PLATING: Ni PLATED

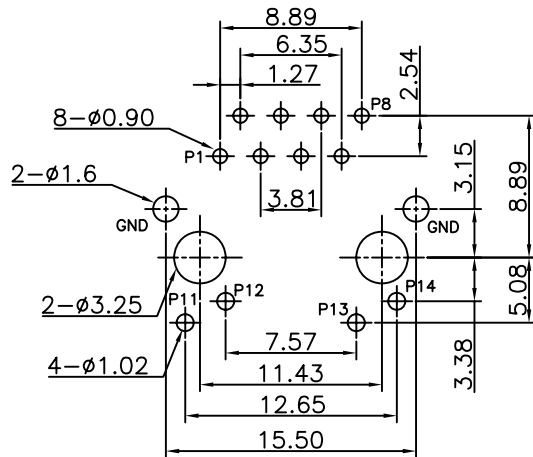
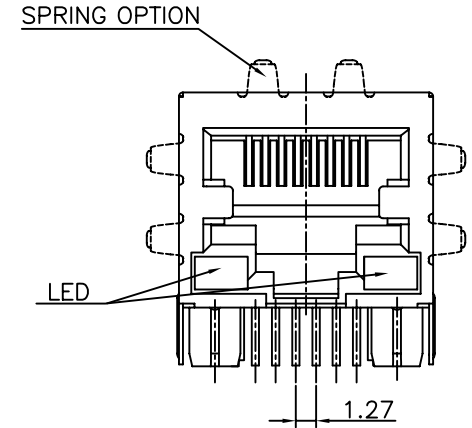
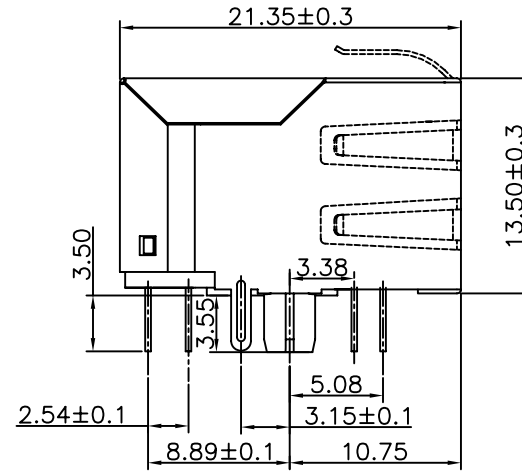
ORDER INFORMATION
 G7412-25 ** * * *

00: PBT; BLACK
 01: PA46; BLACK

01: 6u" Au
 02: 15u" Au
 03: 30u" Au
 (SELECTIVE Au)

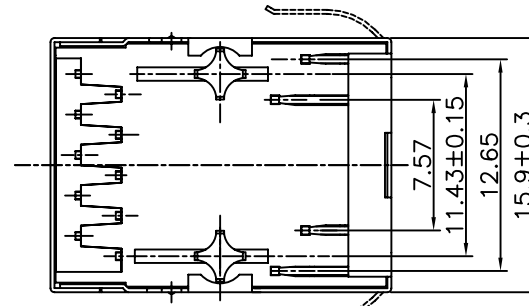
0: WITH LED
 LEFT: GREEN
 RIGHT: YELLOW
 1: WITH LED
 LEFT: YELLOW
 RIGHT: GREEN

SPRING
 △ 0: WITH SPRING
 1: W/O SPRING



RECOMMENDED P.C.BOARD HOLE LAYOUT

NOTE: P.C.B LAYOUT TOLERANCE: ±0.05mm



GENERAL TOLERANCE ± 0.25mm	WIESON TECHNOLOGIES CO., LTD		PART NO.: G7412-25*****	
	WIESON	DRAWN BY	XHTao(WSC)	DRAWING NO. G7412-25*****
GENERAL ANGLE TOLERANCE ± 3°	CHECKED BY	WZBIN	DRAWING SIZE	A4
	APPROVED BY	JINKENS	UNIT	mm
⊕	SORTING NO.	CC0057(WSC)	PAGE	1 OF 2

REFERENCE

[ARTICLE:044033 V6]

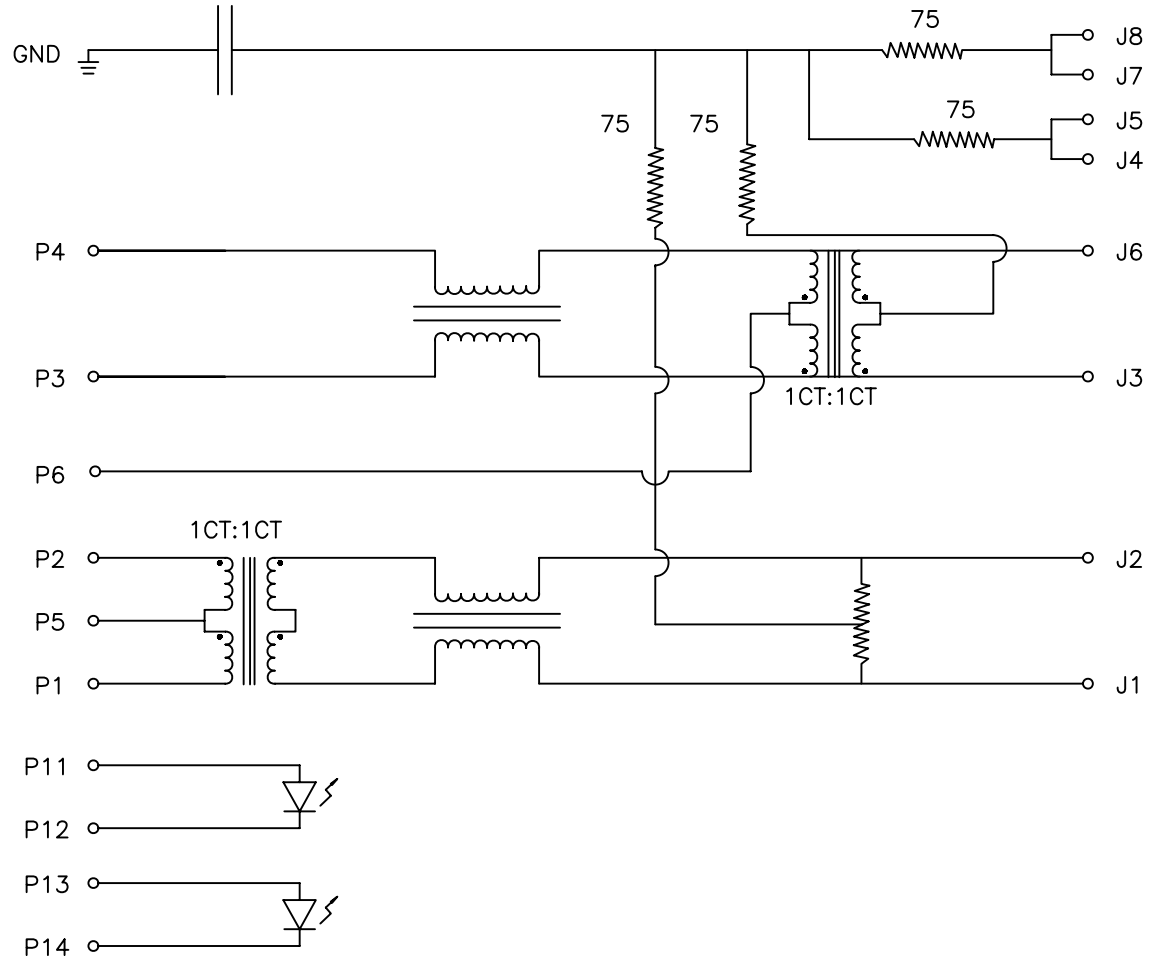
RoHS Compliant

FOR REFERENCE ONLY

REV	DATE	DESCRIPTION	ECN NO.	NAME
A	07.06.21	PROPOSAL		Amcen
A1	12.03.02	△ MODIFY		XHTao

RJ-45 MODULAR JACK

CAP 1000pF 2KV



ELECTRICAL SPECIFICATIONS:

1.0 TURNS RATIO:

(P1-P2):(J1-J2) :1CT:1CT±3%

(P3-P4):(J3-J6) :1CT:1CT±3%

2.0 INDUCTANCE:

(P1-P2):350uH MIN. @ 0.1V,100KHz, 8mA DC BIAS

(P3-P4):350uH MIN. @ 0.1V,100KHz, 8mA DC BIAS

3.0 LEAKAGE INDUCTANCE:

P1-P2(WITH J1 AND J2 SHORT) :0.3uH MAX. @ 1MHz

P3-P4(WITH J3 AND J6 SHORT) :0.3uH MAX. @ 1MHz

4.0 INTERWINDING CAPACITANCE:

(P1-P2):(J1-J2):35pF MAX @ 1MHz

(P3-P4):(J3-J6):35pF MAX @ 1MHz

5.0 DC RESISTANCE: (J1-P2):(P3-P4) :1.2 OHMS MAX.

6.0 RETURN LOSS:

1MHz TO 30MHz : -18dB MIN.

30MHz TO 80MHz : -12dB MIN.

7.0 DIELECTRIC WITHSTAND:

(P1-P2):(J1-J2) :1500 VAC

(P3-P4):(J3-J6) :1500 VAC

8.0 INSERTION LOSS:

RS=RL=100 OHM

100KHZ TO 80MHZ : -1.1 dB MIN

9.0 RISE TIME:

RS=100 OHMS AND RL=100 OHMS

OUTPUT VOLTAGE=1V PEAK : 3.0 nS MAX

PULSE WIDTH=112nS : 3.0 nS MAX

10.0 CROSS TALK:

1MHz TO 100 MHz :40dB TYP

11.0 COMMON TO COMMON MODE ATTENUATION: 30 MHz TO 100MHz :35dB TYP

GENERAL TOLERANCE ± 0.25mm	WIESON TECHNOLOGIES CO., LTD		PART NO.: G7412-25*****	
	DRAWN BY	XHTao(WSC)	DRAWING NO.	G7412-25*****
GENERAL ANGLE TOLERANCE ± 3°	CHECKED BY	WZBIN	DRAWING SIZE	A4
	APPROVED BY	JINKENS	UNIT	mm
⊕	SORTING NO.	CC0057(WSC)	PAGE	2 OF 2

REFERENCE

[ARTICLE:044033 V6]