

RoHS Compliant

RJ45 JACK+USB A CONNECTOR COMBO
(LED/TRANSFORMER/SPRING)

REV	DATE	DESCRIPTION	ECN NO.	NAME
A	09.07.28	NEW RELEASE		ZXH
B	10.01.18	△MODIFY	CECR10005080	WeiZhijun
C	10.10.27	△MODIFY	CECR10005801	ZYUAN

MATERIAL:

RJ45 JACK

HOUSING: PBT UL94V-0
HOUSING COLOR: BLACK
COVER: PBT UL94V-0
COVER COLOR: BLACK
TERMINAL: BRASS
TERMINAL: SELECTIVE Au IN CONTACT AREA, 80u" min. Sn IN
SOLDER TAIL AREA, BOTH OVER 30u" min. Ni UNDER
PLATED OVERALL.

SHELL: BRASS
SHELL: 30u" min. Ni PLATED .

USB CONNECTOR

HOUSING: PBT UL94V-0
HOUSING COLOR: WHITE
TERMINAL: BRASS
ERMINAL: SELECTIVE Au IN CONTACT AREA, 80u" min. Sn IN
SOLDER TAIL AREA, BOTH OVER 30u" min. Ni UNDER
PLATED OVERALL.

SHELL: BRASS
SHELL: 30u" min. Ni PLATED .

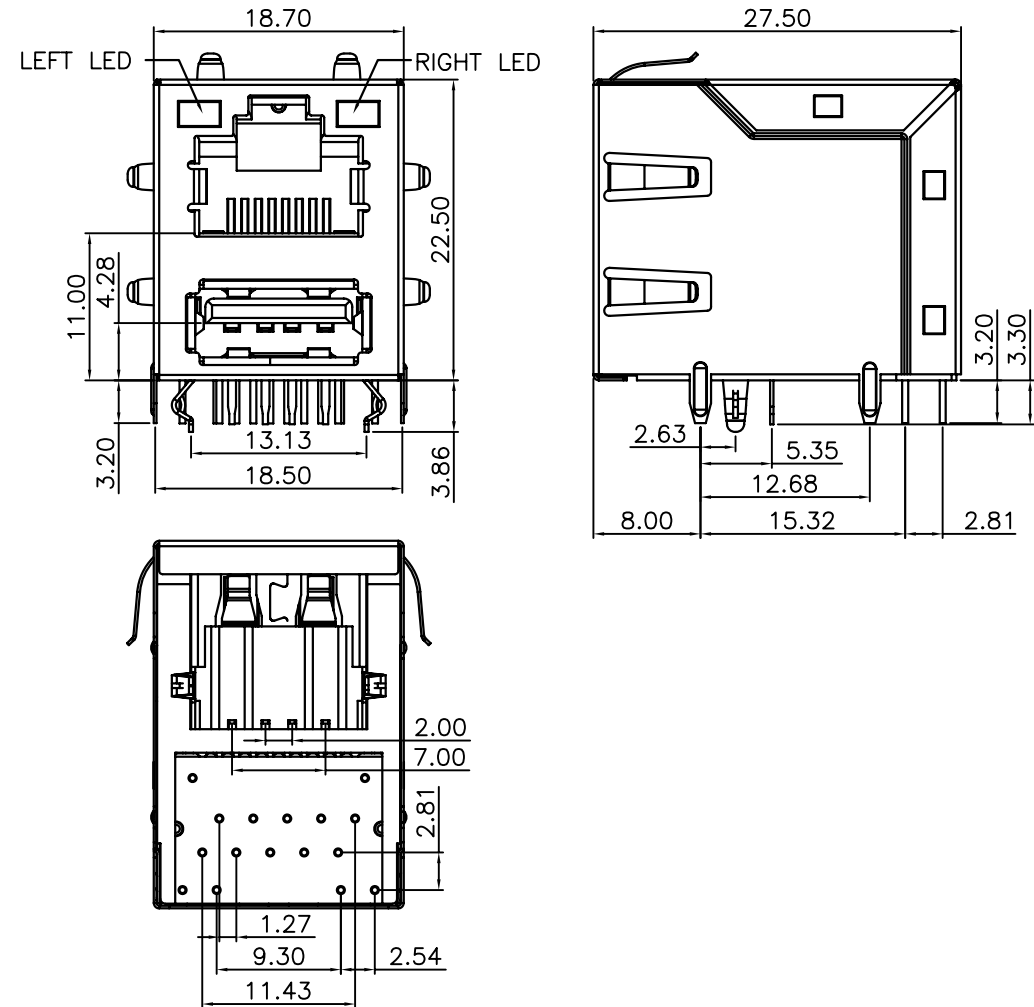
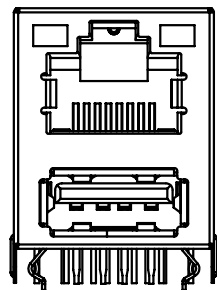
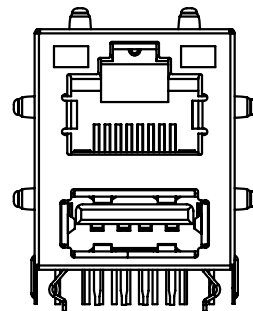


FIGURE 1: (SPRING OPTION)



WITHOUT SPRING TYPE



WITH SPRING TYPE

GENERAL TOLERANCE ±0.25mm	WIESON TECHNOLOGIES CO., LTD WIESON	PART NO.: G7412-52*****-00	
		DRAWN BY: ZXH(WSC)	DRAWING NO. G7412-52*****-00
GENERAL ANGLE TOLERANCE ±3°	CHECKED BY: JINKENS	DRAWING SIZE 2.5 : 1 A4	
	APPROVED BY: JINKENS	UNIT: mm	
⊕	SORTING NO. △CA0057(WSC)	PAGE: 1 OF 4	

ISSUED

RoHS Compliant

RJ45 JACK+USB A CONNECTOR COMBO
(LED/TRANSFORMER/SPRING)

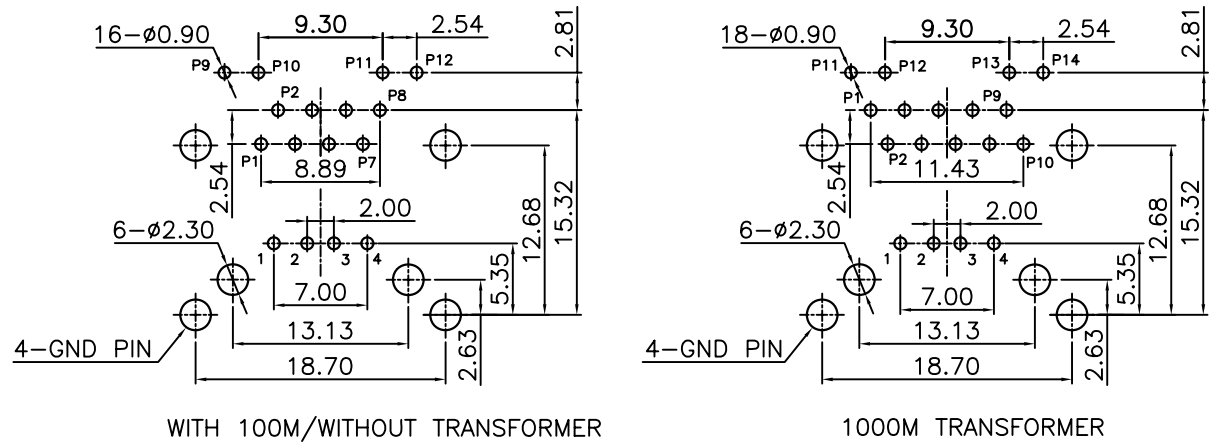
REV	DATE	DESCRIPTION	ECN NO.	NAME
A	09.07.28	NEW RELEASE		ZXH
B	10.01.18	△MODIFY	CECR10005080	WeiZhijun
C	10.10.27	△MODIFY	CECR10005801	ZYUAN

ORDER INFORMATION

G7412-52 * * * * * -00
①②③④⑤⑥

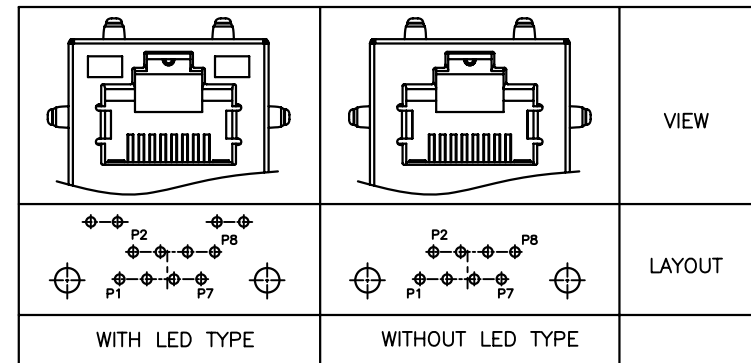
- ① HOUSING: (MATERIAL ; COLOR)
0: RJ45: PBT ; BLACK
USB: PBT ; WHITE
- ② TRANSFORMER
0: WITHOUT TRANSFORMER (SEE FIGURE 2)
1: WITH 100M TRANSFORMER (SEE FIGURE 2 AND 4)
2: WITH 1000M TRANSFORMER (SEE FIGURE 2 AND 5)
- ③ SPRING: (SEE FIGURE 1)
0: WITHOUT SPRING
1: WITH SPRING
- ④ LED: (SEE FIGURE 3)
0: WITHOUT LED
1: WITH LED (LELT: YELLOW ; RIGHT: GREEN)
- ⑤ RJ45 PLATED: (TERMINAL ; SHELL)
0: GOLD FLASH PLATED ; 50u" Ni PLATED
1: 3u" Au PLATED ; 50u" Ni PLATED
2: 6u" Au PLATED ; 50u" Ni PLATED
- ⑥ USB PLATED: (TERMINAL ; SHELL)
1: GOLD FLASH PLATED ; 50u" Ni PLATED
2: 3u" Au PLATED ; 50u" Ni PLATED
3: 6u" Au PLATED ; 50u" Ni PLATED

FIGURE 2 (LAYOUT)



RECOMMENDED P.C.BOARD HOLD
(TOLERANCE:±0.05mm) (TOP VIEW)

FIGURE 3: (LED OPTION)



GENERAL TOLERANCE ±0.25mm	WIESON TECHNOLOGIES CO., LTD WIESON	PART NO.: G7412-52*****-00	
		DRAWN BY ZXH(WSC)	DRAWING NO. G7412-52*****-00
GENERAL ANGLE TOLERANCE ±3°	CHECKED BY JINKENS	DRAWING SIZE 2.5 : 1 A4	
	APPROVED BY JINKENS	UNIT mm	
	SORTING NO. △CA0057(WSC)	PAGE 2 OF 4	

ISSUED

RoHS Compliant

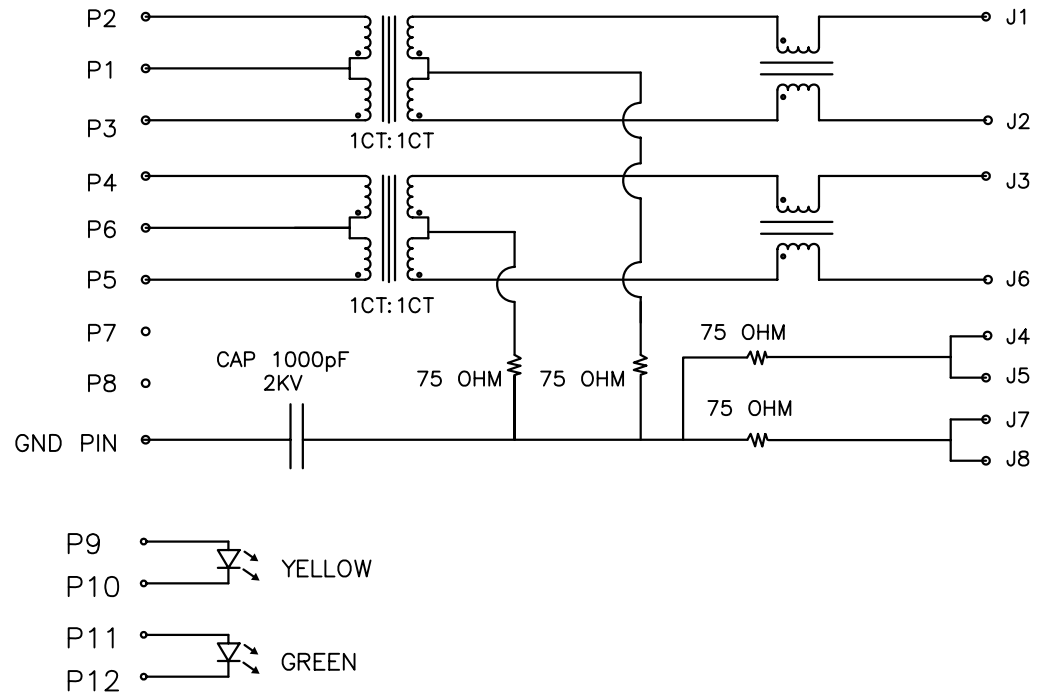
RJ45 JACK+USB A CONNECTOR COMBO
(LED/TRANSFORMER/SPRING)

REV	DATE	DESCRIPTION	ECN NO.	NAME
A	09.07.28	NEW RELEASE		ZXH
B	10.01.18	△ MODIFY	CECR10005080	WeiZhijun
C	10.10.27	△ MODIFY	CECR10005801	ZYUAN

ELECTRICAL SPECIFICATIONS:

- 1.0 TURNS RATIO:
(P2~P3):(J1~J2) : 1:1±3%
(P4~P5):(J3~J6) : 1:1±3%
- 2.0 INDUCTANCE:
(P2~P3) : 350uH MIN @ 0.1V,100KHZ, 8mA DC BIAS
(P4~P5) : 350uH MIN @ 0.1V,100KHZ, 8mA DC BIAS
- 3.0 LEAKAGE INDUCTANCE:
P2~P3(WITH J1 AND J2 SHORT) : 0.3uH MAX @1 MHZ
P4~P5(WITH J3 AND J6 SHORT) : 0.3uH MAX @1 MHZ
- 4.0 INTERWINDIND: CAPACITANCE:
(P2~P3):(J1~J2) : 30pF MAX @ 1MHZ
(P4~P5):(J3~J6) : 30pF MAX @ 1MHZ
- 5.0 DC RESISTANCE:
(J1~J2):(P4~P5) : 1.2 OHMS MAX
- 6.0 RETURN LOSS:
1MHZ TO 30MHZ : -18dB MIN
30MHZ TO 80MHZ : -12dB MIN
- 7.0 DIELECTRIC WITHSTAND:
(P2~P3):(J1~J2) : 1500V AC
(P4~P5):(J3~J6) : 1500V AC
- 8.0 INSERTION LOSS:
RS=RL=100OHM 100KHZ TO 80MHZ : -1.1dB MAX △
- 9.0 RISE TIME: RS=100 OHMS AND RL=100OHMS
OUTPUT VOLTAGE=1V PEAK : 3.0nS MAX
PULSE WIDTH= 112nS : 3.0nS mAX
- 10.0 CROSS TALK:
1MHZ TO 100MHZ : -35 TYP △
- 11.0 COMMON TO COMMON MODE ATTENUATION:
30MHZ TO 100MHZ : -35 TYP △

FIGURE 4: (100M TRANSFORMER)



GENERAL TOLERANCE ±0.25mm	WIESON TECHNOLOGIES CO., LTD		PART NO.: G7412-52*****-00	
	GENERAL ANGLE TOLERANCE ±3°	DRAWN BY ZXH(WSC)	DRAWING NO. G7412-52*****-00	
⊕	CHECKED BY JINKENS	DRAWING SIZE 2.5 : 1		A4
	APPROVED BY JINKENS	UNIT		mm
	SORTING NO. △ CA0057(WSC)	PAGE		3 OF 4

ISSUED

[ARTICLE:044033 V4]

RoHS Compliant

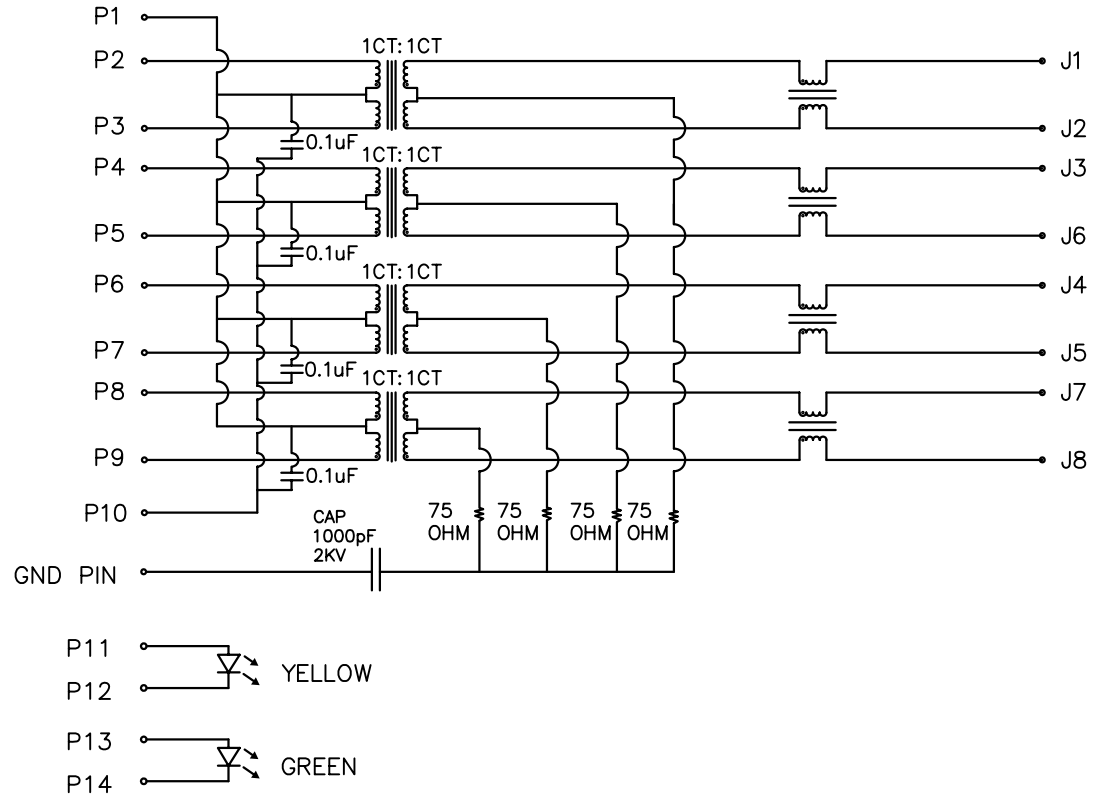
RJ45 JACK+USB A CONNECTOR COMBO
(LED/TRANSFORMER/SPRING)

REV	DATE	DESCRIPTION	ECN NO.	NAME
A	09.07.28	NEW RELEASE		ZXH
B	10.01.18	△MODIFY	CECR10005080	WeiZhijun
C	10.10.27	△MODIFY	CECR10005801	ZYUAN

ELECTRICAL SPECIFICATIONS:

- 1.0 TURN RATIO:
 (P2~P3):(J1~J2) : 1:1±3%
 (P4~P5):(J3~J6) : 1:1±3%
 (P6~P7):(J4~J5) : 1:1±3%
 (P8~P9):(J7~J8) : 1:1±3%
- 2.0 INDUCTANCE:
 (P2~P3) : 350uH MIN @0.1V,100KHZ,8mA DC BIAS
 (P4~P5) : 350uH MIN @0.1V,100KHZ,8mA DC BIAS
 (P6~P7) : 350uH MIN @0.1V,100KHZ,8mA DC BIAS
 (P8~P9) : 350uH MIN @0.1V,100KHZ,8mA DC BIAS
- 3.0 LEAKAGE INDUCTANCE:
 P2~P3(WITH J1 AND J2 SHORT) : 0.35uH MAX @1MHZ
 P4~P5(WITH J3 AND J6 SHORT) : 0.35uH MAX @1MHZ
 P6~P7(WITH J4 AND J5 SHORT) : 0.35uH MAX @1MHZ
 P8~P9(WITH J7 AND J8 SHORT) : 0.35uH MAX @1MHZ
- 4.0 INTERWINDING CAPACITANCE:
 (P2~P3):(J1~J2) : 105pF MAX @ 1MHZ
 (P4~P5):(J3~J6) : 105pF MAX @ 1MHZ
 (P6~P7):(J4~J5) : 105pF MAX @ 1MHZ
 (P8~P9):(J7~J8) : 105pF MAX @ 1MHZ
- 5.0 DC RESISTANCE:
 (J1~J2):(J3~J6):(J4~J5):(J7~J8): 1.2 OHMS MAX
- 6.0 RETURN LOSS:
 1MHZ TO 30MHZ : -19dB MIN
 30MHZ TO 60MHZ : -13dB MIN
 60MHZ TO 80MHZ : -12dB MIN
 80MHZ TO 100MHZ : -10dB MIN
- 7.0 DIELECTRIC WITHSTAND:
 (P2~P3):(J1~J2): 1500V AC
 (P4~P5):(J3~J6): 1500V AC
 (P6~P7):(J4~J5): 1500V AC
 (P8~P9):(J7~J8): 1500V AC
- 8.0 INSERTION LOSS:
 RS=RL=100OHM 100KHZ TO 80MHZ: -1.1dB MAX
- 9.0 CROSS TALK:
 1MHZ TO 100MHZ: -35 TYP △
- 10.0 COMMON TO COMMON MODE ATTENUATION:
 30MHZ TO 100MHZ: -35 TYP △

FIGURE 5: (1000M TRANSFORMER)



GENERAL TOLERANCE ±0.25mm	WIESON TECHNOLOGIES CO., LTD		PART NO.: G7412-52*****-00	
	DRAWN BY	ZXH(WSC)	DRAWING NO. G7412-52*****-00	
GENERAL ANGLE TOLERANCE ±3°	CHECKED BY	JINKENS	DRAWING SIZE 2.5 : 1 A4	
	APPROVED BY	JINKENS	UNIT	mm
⊕	SORTING NO.	△ CA0057(WSC)	PAGE	4 OF 4

ISSUED