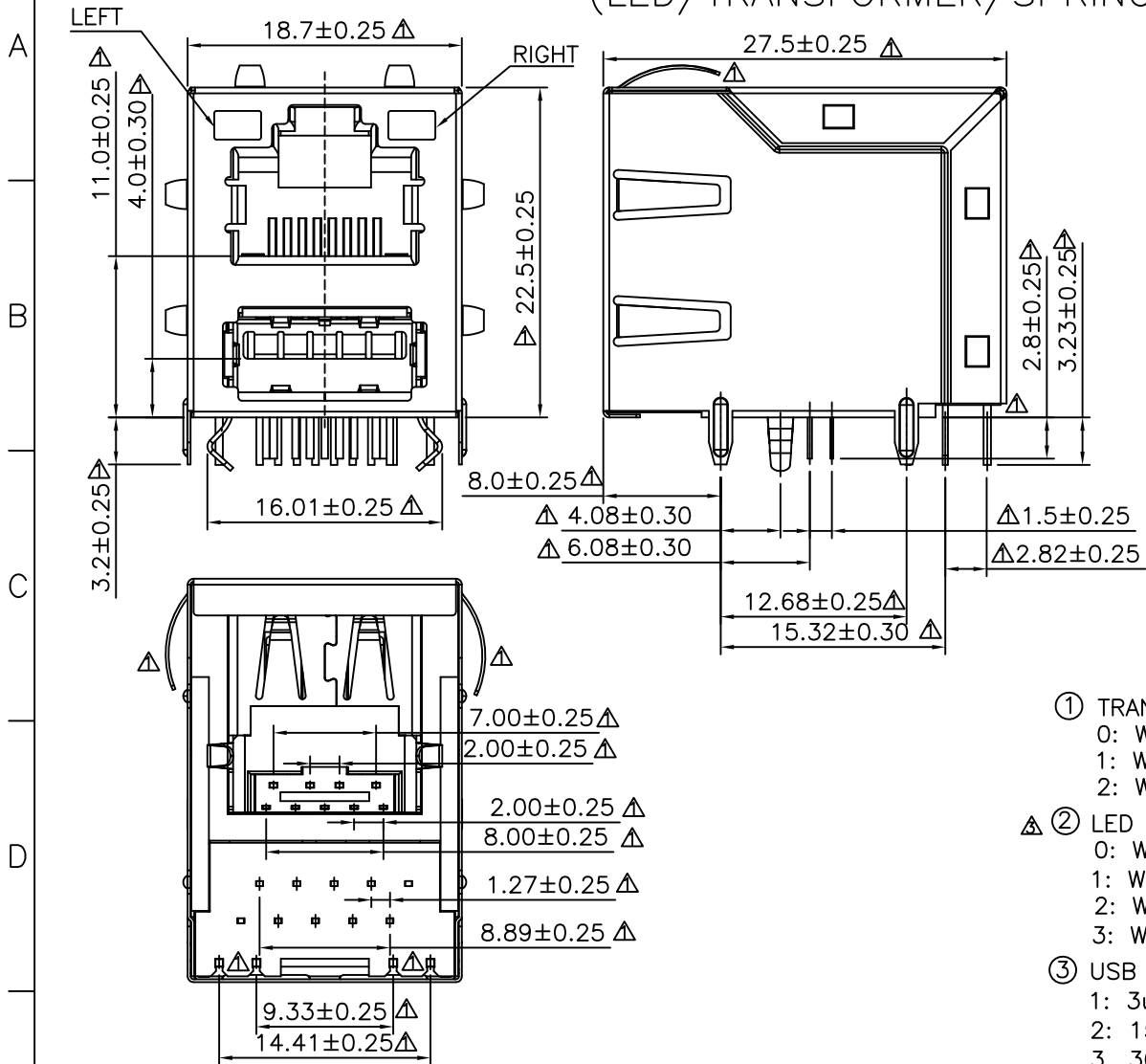


RJ45 JACK+USB3.0 A CONNECTOR COMBO
(LED/TRANSFORMER/SPRING)

REV	DATE	DESCRIPTION	ECN NO.	NAME
A1	11.05.25	PROPOSAL		DAVID
A2	11.11.08	△ MODIFY	CECR11006672	CLM
B	12.03.08	NEW RELEASE		CLM
C	12.10.29	△ ADD PLATING OPTIONS	CECR12007217	YXJ
D	13.10.28	△ MODIFY	CECR13007969	GAVIN



NOTE:

- 1.USB3.0 MATERIAL:
HOUSING:HIGH TEMPERATURE THERMOPLASTIC,UL94V-0 COLOR:BLUE
HOUSING COVER:HIGH TEMPERATURE THERMOPLASTIC,UL94V-0
COLOR:BLUE
4PIN TERMINAL:PHOSPHOR BRONZE
5PIN TERMINAL:BRASS
SHELL:PHOSPHOR BRONZE
- 2.USB 3.0 PLATING :
TERMINAL:SELECTIVE Au ON CONTACT AREA,Sn PLATED ON SOLDER
TAIL AREA(SEE ORDER INFORMATION),BOTH OVER Ni UNDERPLATED
OVERALL.
SHELL:WELDABLE Ni OVERALL
- 3.RJ45 MATERIAL:
HOUSING: (SEE ORDER INFORMATION) UL94V-0,COLOR:BLACK
SHIELD:Brass
CONTACT:COPPER ALLOY
- 4.RJ45 PLATING :
SHIELD PLATING:NICKEL.
△ CONTACT PLATING:6u" Au IN CONTACT AREA ; 50u" Ni PLATED
- 5.ORDER INFORMATION:

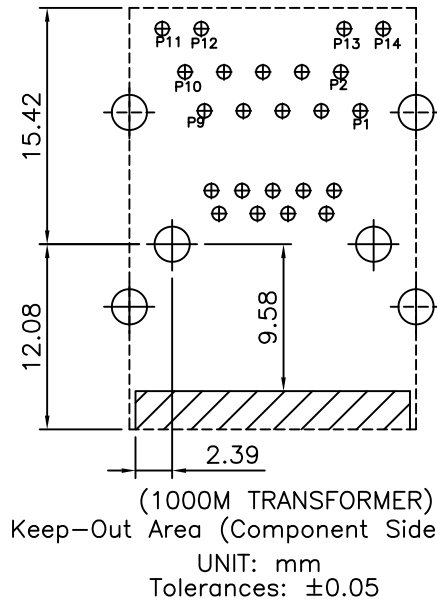
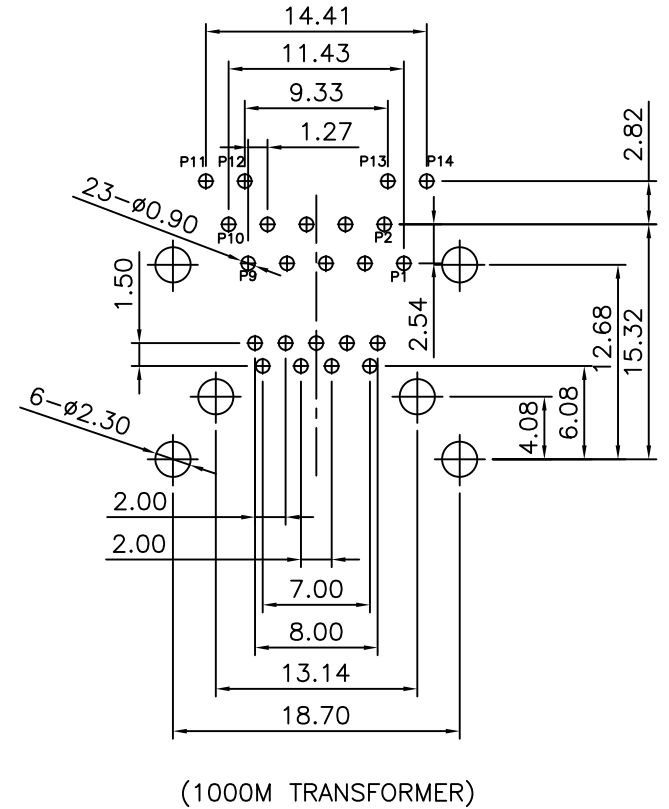
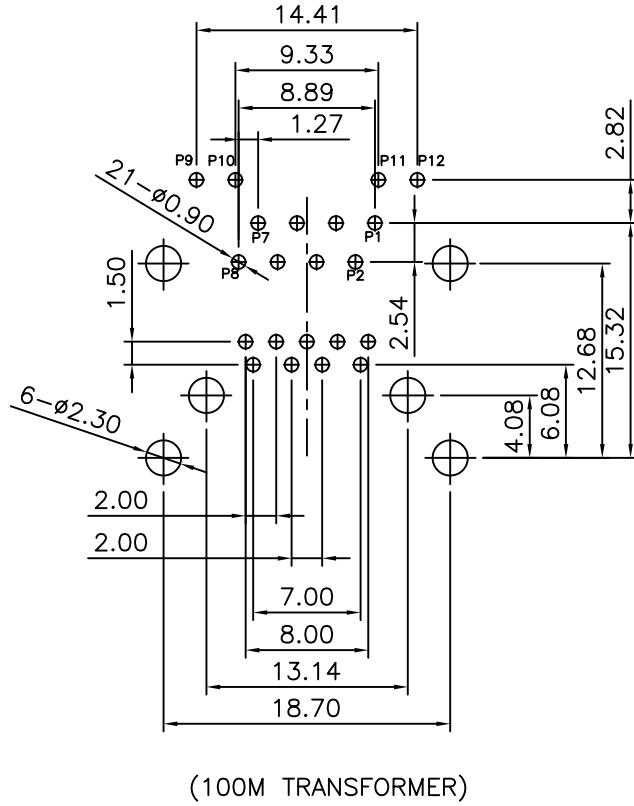
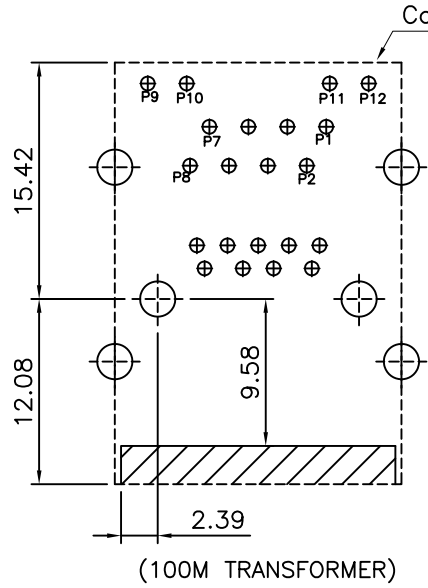
△ G7412-56 0 X 1 X 2 X -XX △

- ① TRANSFORMER
0: WITHOUT TRANSFORMER
1: WITH 100M TRANSFORMER
2: WITH 1000M TRANSFORMER
 - △ ② LED AND RJ HOUSING
0: WITHOUT LED,PA66
1: WITH LED (LEFT:GREEN ; RIGHT:YELLOW),PA66
2: WITHOUT LED,PBT
3: WITH LED (LEFT:GREEN ; RIGHT:YELLOW),PBT
 - ③ USB 3.0 PLATED: (TERMINAL ; SHELL)
1: 3u" Au PLATED ; 50u" Ni PLATED
2: 15u" Au PLATED ; 50u" Ni PLATED
3: 30u" Au PLATED ; 50u" Ni PLATED
- △ ④ 00: ROHS
H0: HALOGEN FREE

GENERAL TOLERANCE		WIESON TECHNOLOGIES CO., LTD WIESON	PART NO.: G7412-560X1X2X-XX	
X.X	=±0.20		DRAWN BY	DAVID
X.XX	=±0.15	CHECKED BY	YXJ	DRAWING NO. G7412-560X1X2X-XX
X.X*	=±3*	APPROVED BY	JIM	DRAWING SIZE 2 : 1 A4
		SORTING NO.	CA0192	UNIT mm
				PAGE 1 OF 4

RJ45 JACK+USB3.0 A CONNECTOR COMBO
(LED/TRANSFORMER/SPRING)

REV	DATE	DESCRIPTION	ECN NO.	NAME
A1	11.05.25	PROPOSAL		DAVID
A2	11.11.08	△ MODIFY	CECR11006672	CLM
B	12.03.08	NEW RELEASE		CLM
C	12.10.29	△ ADD PLATING OPTIONS	CECR12007217	YXJ
D	13.10.28	△ MODIFY	CECR13007969	GAVIN



Recommended PWB Layout (Component Side View):

UNIT: mm
Tolerances: ±0.05

GENERAL TOLERANCE X.X = ±0.20 X.XX = ±0.15 X.X* = ±3*	WIESON TECHNOLOGIES CO., LTD WIESON	PART NO.: G7412-560X1X2X-XX	
		DRAWN BY: DAVID	DRAWING NO.: G7412-560X1X2X-XX
	CHECKED BY: YXJ	DRAWING SIZE: 2 : 1 A4	
	APPROVED BY: JIM	UNIT: mm	
	SORTING NO.: CA0192	PAGE: 2 OF 4	

RJ45 JACK+USB3.0 A CONNECTOR COMBO (LED/TRANSFORMER/SPRING)

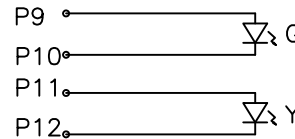
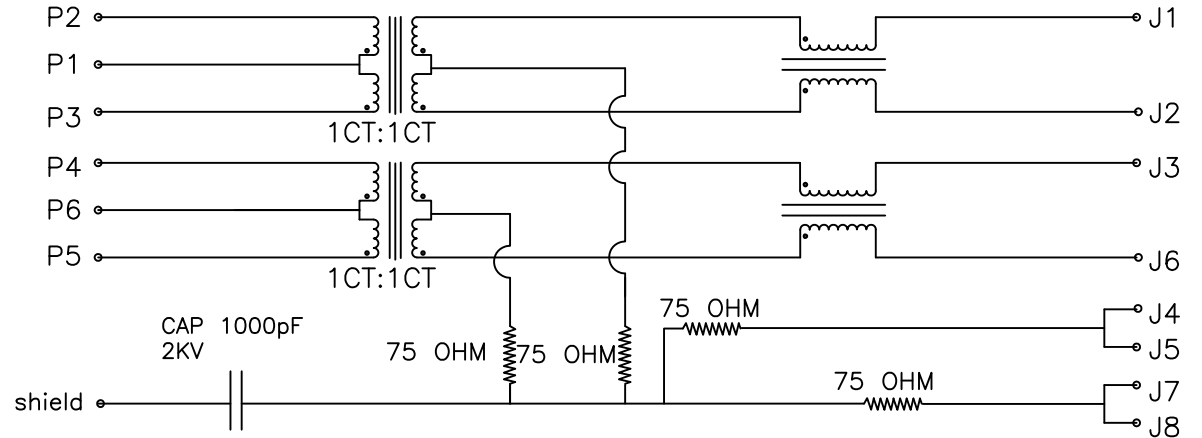
REV	DATE	DESCRIPTION	ECN NO.	NAME
A1	11.05.25	PROPOSAL		DAVID
A2	11.11.08	△ MODIFY	CECR11006672	CLM
B	12.03.08	NEW RELEASE		CLM
C	12.10.29	△ ADD PLATING OPTIONS	CECR12007217	YXJ
D	13.10.28	△ MODIFY	CECR13007969	GAVIN

Circuit Schematic and Electronical Specifications:

Electronical Specifications:

- 1.0 Turn Ratio @100KHz:(P2~P3):(J1~J2) = 1:1±5%
(P4~P5):(J3~J6) = 1:1±5%
- 2.0 Primary Inductance: 350uH MIN @100KHZ,0.1V 8mA DC BIAS
- 3.0 DC Resistance:(J1~J2):(J3~J6) 1.2 OHMS MAX
- 4.0 Insertion Loss:1-100MHz -1.2dB MAX
- 5.0 Return Loss: 1-30MHz -16dB TYP
30-60MHz -12dB TYP
60-80MHz -10dB TYP
- 6.0 CROSS TALK:1-100MHz -30dB TYP
- 7.0 COMMON TO COMMON MODE ATTENUATION: 1-100MHz -30dB TYP
- 8.0 Isolation: Line Side to Shield: 1500VAC OR 2250VDC
P1~P6=J1~J6: 1500VAC OR 2250VDC
- 9.0 DC CURRENT/VOLTAGE RATING-PSE PINS: 350mA @57V(CONTINUOUS)

Circuit Schematic: (100M TRANSFORMER)



Pin	Green		Yellow
P9	+	P11	+
P10	-	P12	-

GENERAL TOLERANCE		WIESON TECHNOLOGIES CO., LTD WIESON		PART NO.: G7412-560X1X2X-XX	
X.X	=±0.20	DRAWN BY	DAVID	DRAWING NO.	G7412-560X1X2X-XX
X.XX	=±0.15	CHECKED BY	YXJ	DRAWING SIZE	2 : 1 A4
X.X*	=±3'	APPROVED BY	JIM	UNIT	mm
		SORTING NO.	CA0192	PAGE	3 OF 4

[ISSUED]

[ARTICLE:044033 V6]

RJ45 JACK+USB3.0 A CONNECTOR COMBO (LED/TRANSFORMER/SPRING)

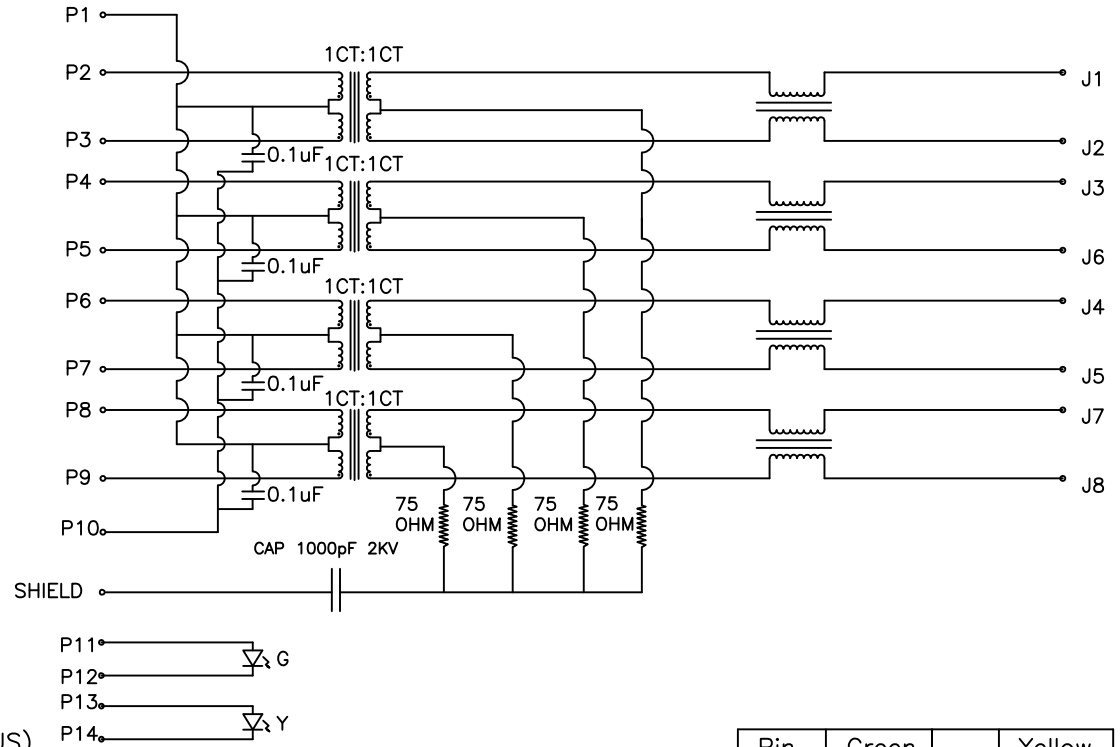
REV	DATE	DESCRIPTION	ECN NO.	NAME
A1	11.05.25	PROPOSAL		DAVID
A2	11.11.08	△ MODIFY	CECR11006672	CLM
B	12.03.08	NEW RELEASE		CLM
C	12.10.29	△ ADD PLATING OPTIONS	CECR12007217	YXJ
D	13.10.28	△ MODIFY	CECR13007969	GAVIN

Circuit Schematic and Electronical Specifications:

Electronical Specifications:

- 1.0 Turn Ratio @100KHz: (P2~P3):(J1~J2) = 1:1±5%
(P4~P5):(J3~J6) = 1:1±5%
(P6~P7):(J4~J5) = 1:1±5%
(P8~P9):(J7~J8) = 1:1±5%
- 2.0 Primary Inductance: 350uH MIN @100KHZ,0.1V 8mA DC BIAS
- 3.0 DC Resistance:(J1~J2):(J3~J6) 1.2 OHMS MAX
- 4.0 Insertion Loss: 1-100MHz -1.2dB MAX
- 5.0 Return Loss: 1-30MHz -16dB TYP
30-60MHz -12dB TYP
60-80MHz -10dB TYP
- 6.0 CROSS TALK: 1-100MHz -30dB TYP
- 7.0 COMMON TO COMMON MODE ATTENUATION: 1-100MHz -30dB TYP
- 8.0 Isolation: Line Side to Shield: 1500VAC OR 2250VDC
- 9.0 DC CURRENT/VOLTAGE RATING-PSE PINS: 350mA @57V(CONTINUOUS)

Circuit Schematic:(1000M TRANSFORMER)



Pin	Green		Yellow
P11	+	P13	+
P12	=	P14	-

GENERAL TOLERANCE		WIESON TECHNOLOGIES CO., LTD		PART NO.: G7412-560X1X2X-XX	
X.X	=±0.20	DRAWN BY	DAVID	DRAWING NO.	G7412-560X1X2X-XX
X.XX	=±0.15	CHECKED BY	YXJ	DRAWING SIZE	2 : 1 A4
X.X*	=±3'	APPROVED BY	JIM	UNIT	mm
		SORTING NO.	CA0192	PAGE	4 OF 4