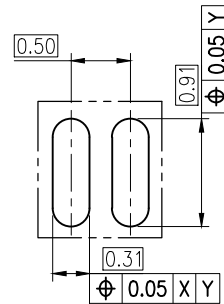
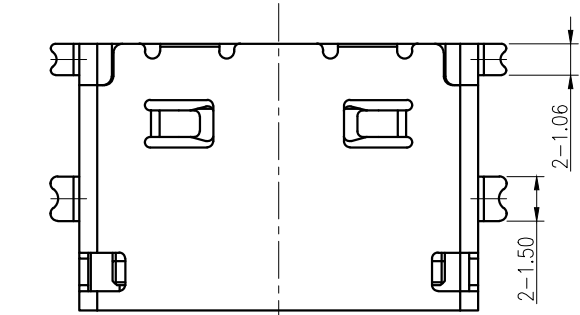


RoHS Compliant

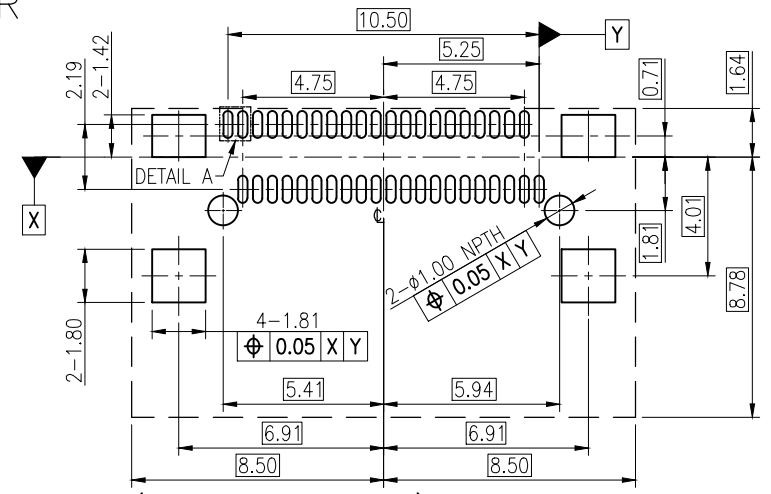
REV	DATE	DESCRIPTION	ECN NO.	NAME
A	19.11.04	NEW RELEASE		Tames

AC1215-03 SERIES OCULINK 4i RIGHT ANGLE CONNECTOR

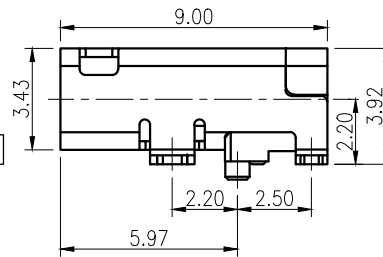
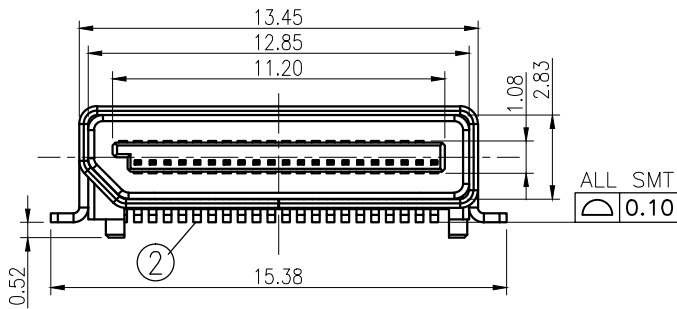
A
B
C
D
E



Detail A
Scale:16:1



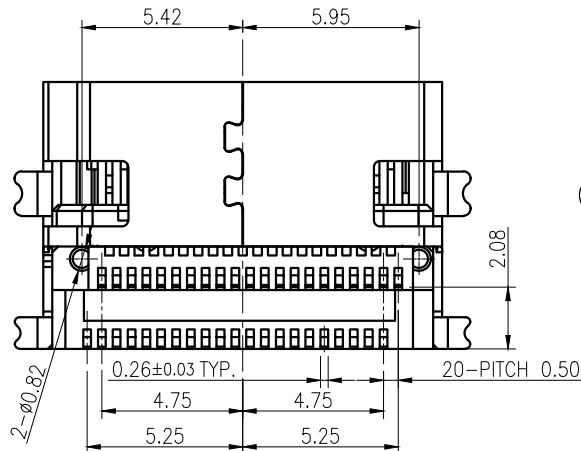
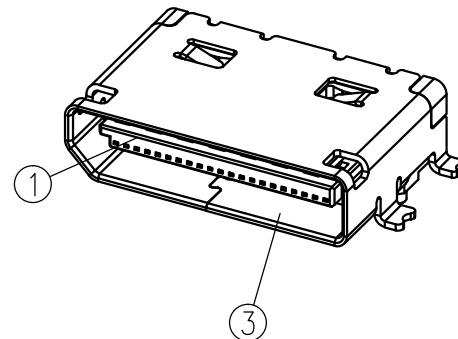
(SMT SHELL ATTACH OPTION) RECOMMEND PCB LAYOUT
TOP VIEW / TOLERANCE ±0.05



NOTES:

- MATERIAL:
HOUSING: HIGH TEMPERATURE THERMOPLASTIC 94V-0, BLACK COLOR
TERMINAL: COPPER ALLOY
SHELL: STAINLESS STEEL
- PLATING:
TERMINAL:
SELECTIVE Au ON CONTACT AREA (SEE ORDER INFORMATION), MATTE Sn ON SOLDER TAIL AREA, BOTH OVER Ni UNDERPLATED OVERALL.
SHELL:
SOLDERABLE Ni PLATED OVERALL.
- PACKING: TAPE & REEL
- ORDER INFORMATION: AC1215-0300XXXX-00

- ① 00: SMT SHELL ATTACH OPTION
- ① 01: DIP SHELL ATTACH OPTION
- ② 02: Au 3u"
- ② 03: Au 15u"
- ② 04: Au 30u"



3	SHELL	X.X = ±0.20
2	TERMINAL	X.XX = ±0.15
1	HOUSING	X.X' = ±3'

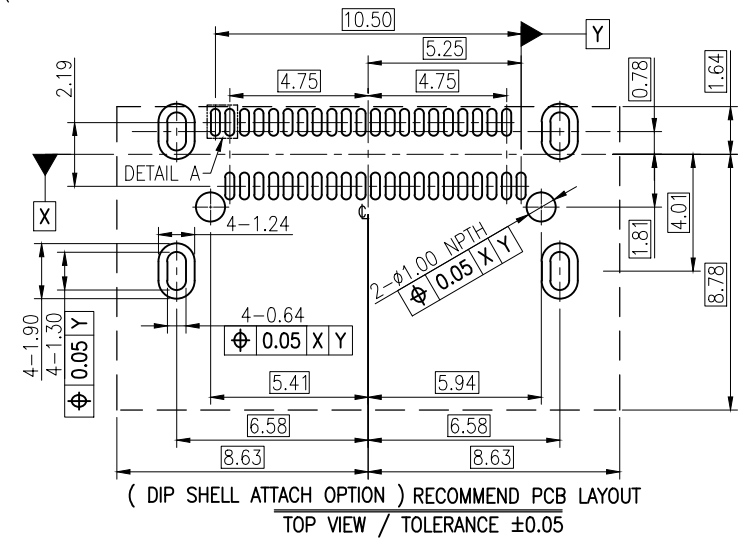
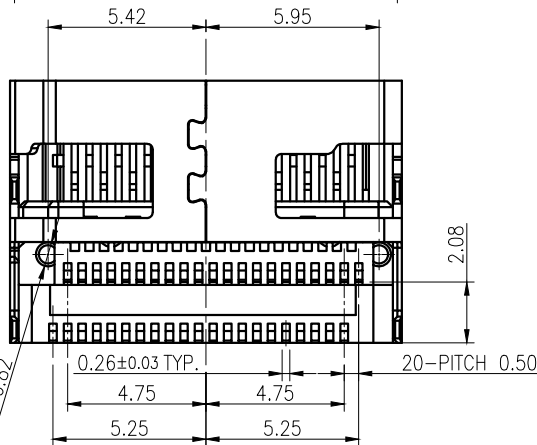
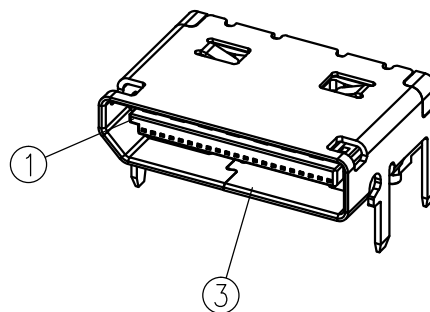
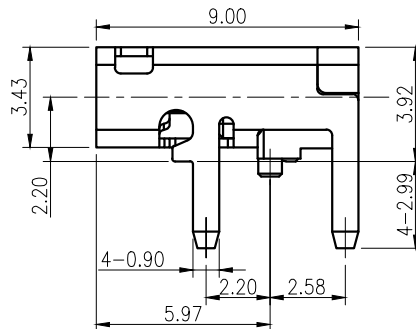
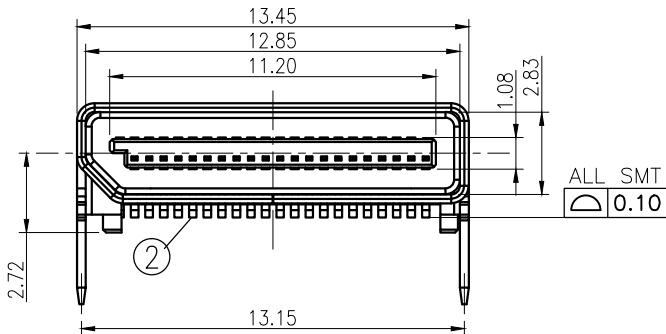
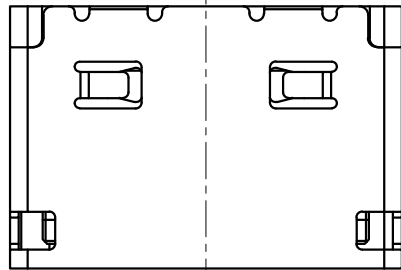
GENERAL TOLERANCE		WIESON TECHNOLOGIES CO., LTD		PART NO.: AC1215-0300XXXX-00	
		DRAWN BY	Tames	DRAWING NO.	AC1215-0300XXXX-00
		CHECKED BY		DRAWING SIZE	4 : 1 A4
		APPROVED BY		UNIT	mm
		SORTING NO.	WSC	PAGE	1 OF 2

RoHS Compliant

REV	DATE	DESCRIPTION	ECN NO.	NAME
A	19.11.04	NEW RELEASE		Tames

AC1215-03 SERIES OCULINK 4i RIGHT ANGLE CONNECTOR

A
B
C
D
E



GENERAL TOLERANCE		WIESON TECHNOLOGIES CO., LTD		PART NO.: AC1215-0300XXXX-00	
X.X	±0.20	DRAWN BY	Tames	DRAWING NO.	AC1215-0300XXXX-00
X.XX	±0.15	CHECKED BY		DRAWING SIZE	4 : 1 A4
X.X*	±3°	APPROVED BY		UNIT	mm
		SORTING NO.	WSC	PAGE	2 OF 2