

RoHS Compliant

1212 SERIES SATA 7+15P FEMALE SMT TYPE

REV	DATE	DESCRIPTION	NAME
01	07.12.10	NEW RELEASE	Amcen

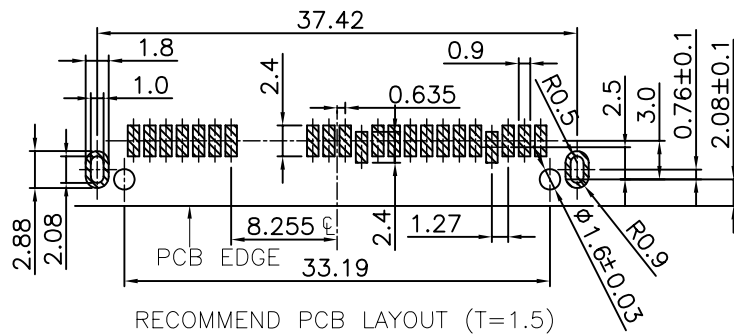
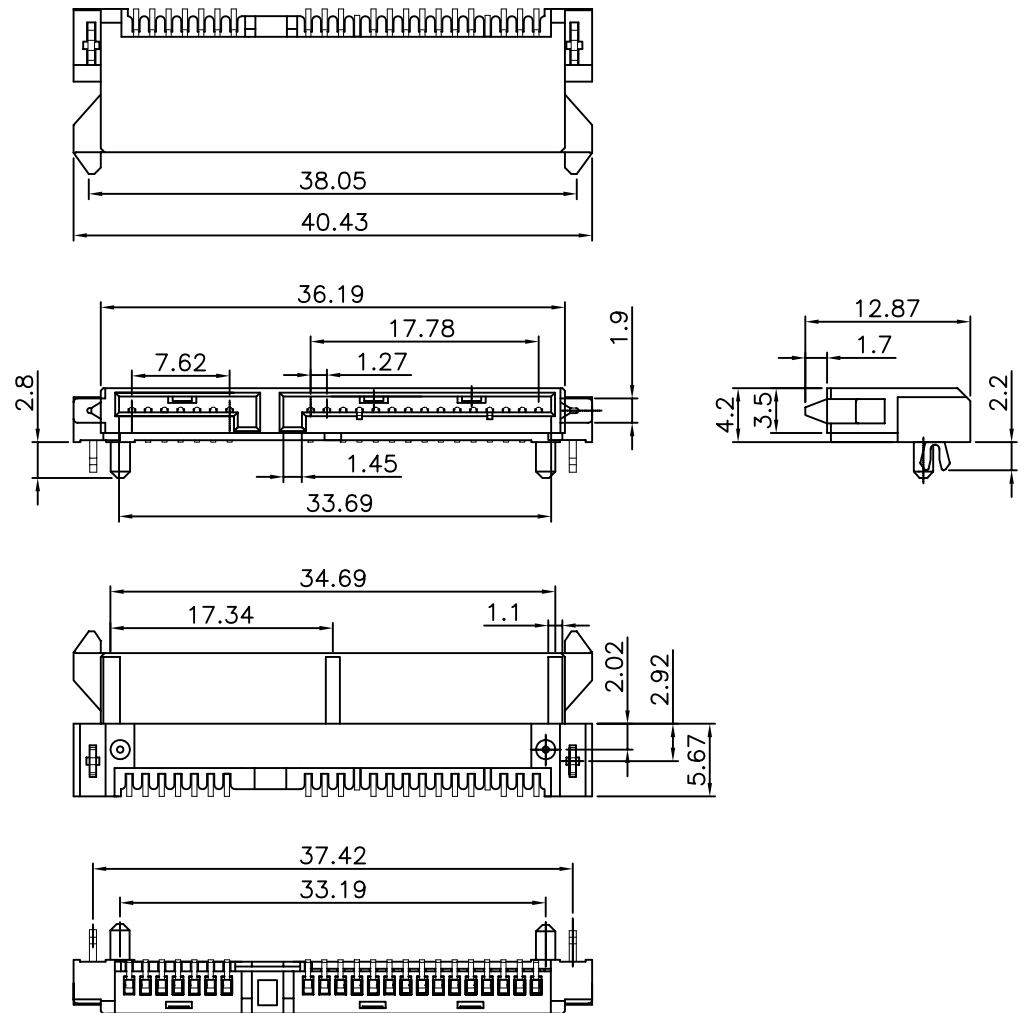
MATERIAL

HOUSING : SEE ORDER INFORMATION (UL94V-0)  
 HOUSING COLOR : SEE ORDER INFORMATION  
 TERMINAL : PHOSPHOR BRONZE T=0.30 mm  
 TERMINAL PLATING: SELECTIVE Au IN CONTACT AREA, 100u"  
 min. Sn IN SOLDER TAIL AREA. BOTH  
 OVER 50u" min. Ni UNDER PLATED OVERALL  
 PEG: BRASS T=0.30mm  
 PEG PLATING: 100u" Sn PLATED

ORDER INFORMATION

G1212-39 \*\* \*\* \*-00

00: LCP, BLACK      01: 1u" Au  
 02: 15u" Au  
 03: 30u" Au  
 00: TUBE PACKING



NOTE: P.C.B LAYOUT TOLERANCE: ±0.05mm

GENERAL TOLERANCE ±0.25mm	WIESON TECHNOLOGIES CO., LTD WIESON	PART NO.: G1212-39*****-00	
		DRAWN BY: Amcen (WSC)	DRAWING NO. G1212-39*****-00
GENERAL ANGLE TOLERANCE ±3°	CHECKED BY: KEVIN	DRAWING SIZE	A4
	APPROVED BY: JERRY	UNIT	mm
	SORTING NO. CA0089 (WSC)	PAGE	1 OF 1

REFERENCE