

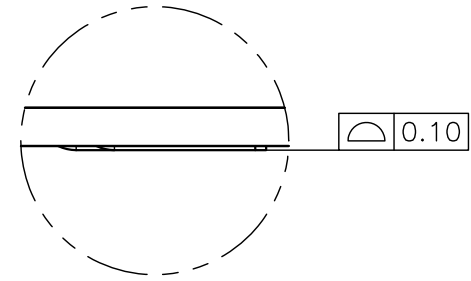
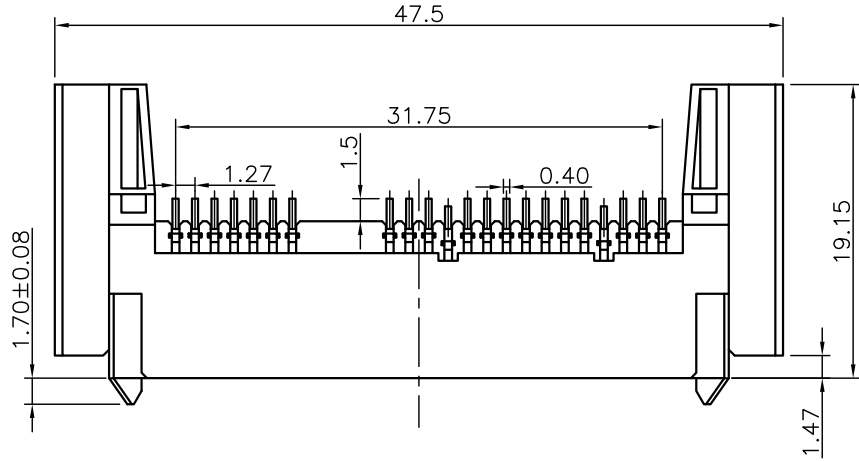
HF Compliant

FOR REFERENCE ONLY

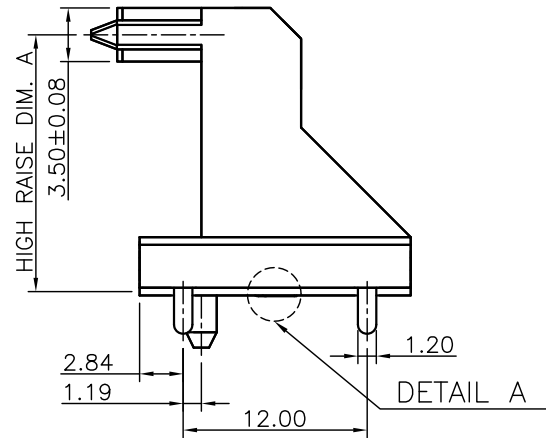
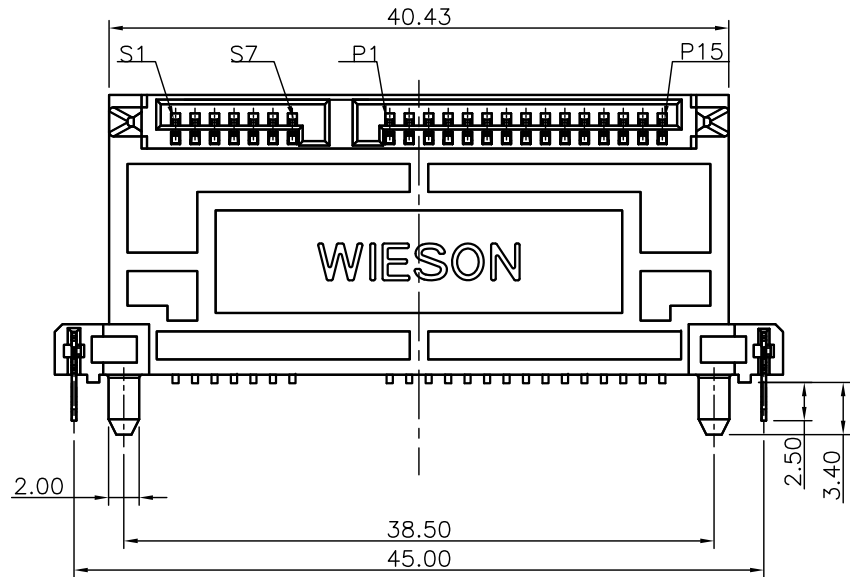
REV	DATE	DESCRIPTION	ECN NO.	NAME
A	12.02.10	PROPOSAL		SKY

1212-SERIES SATA 7+15P BACKPLANE CONN. HIGH RAISE SMT TYPE

A
B
C
D
E



DETAIL A
5:1



DETAIL A

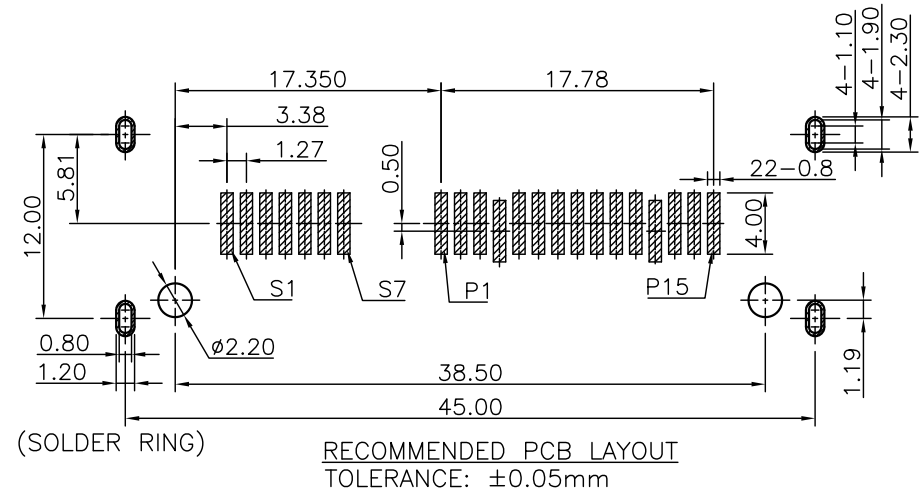
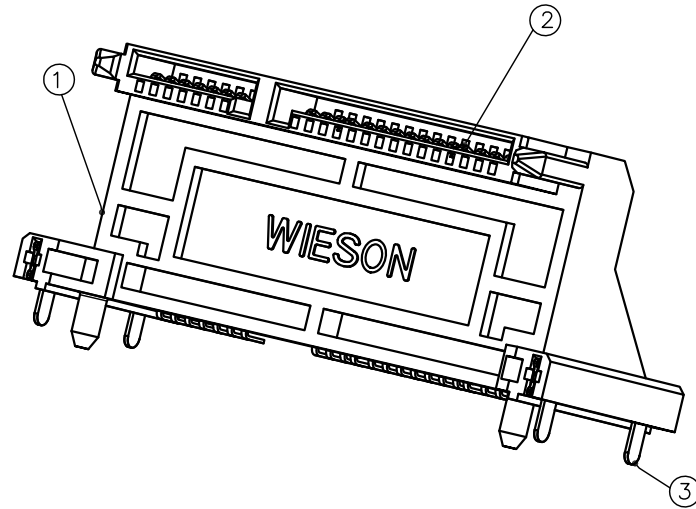
GENERAL TOLERANCE X.X = ±0.20 X.XX = ±0.15 X.X* = ±3°	WIESON TECHNOLOGIES CO., LTD WIESON	PART NO.: G1212-87XXXXXX-H0	
	DRAWN BY SKY	DRAWING NO.	G1212-87XXXXXX-H0
	CHECKED BY JACK	DRAWING SIZE	2 : 1 A4
	APPROVED BY KEVIN	UNIT	mm
	SORTING NO. WSC	PAGE	1 OF 2

HF Compliant

FOR REFERENCE ONLY

REV	DATE	DESCRIPTION	ECN NO.	NAME
A	12.02.10	PROPOSAL		SKY

1212-SERIES SATA 7+15P BACKPLANE CONN. HIGH RAISE SMT TYPE



NOTE:

1.MATERIAL :

- (1)HOUSING:HIGH TEMPERATURE THERMOPLASTIC, UL94V-0, COLOR: BLACK.
- (2)TERMINAL:COPPER ALLOY.
- (3)BOARD LOCK:COPPER ALLOY.

2.PLATING :

TERMINAL:SELECTIVE Au(SEE ORDER INFORMATION),
100u" MIN. BRIGHT Sn PLATED ON SOLDER TAIL AREA.
BOARD LOCK: 100u"MIN. BRIGHT Sn PLATED OVERALL.

3.PACKAGE: TRAY.

4.ORDER INFORMATION: G1212-87 XX XX XX -H0

① ② ③

- ① { 00: W/ DATE CODE, W/ LOGO
- 01: W/O DATE CODE, W/ LOGO
- 02: W/ DATE CODE, W/O LOGO
- 03: W/O DATE CODE, W/O LOGO

- ② { 00: TYPE A
- 01: TYPE B
- 02: TYPE C

- ③ { 01: 1u" Au PLATED ON CONTACT AREA
- 02: 3u" Au PLATED ON CONTACT AREA
- 03: 5u" Au PLATED ON CONTACT AREA
- 04: 15u" Au PLATED ON CONTACT AREA

TYPE	HIGH RAISE DIM. A
A	17mm
B	15mm
C	20mm

GENERAL TOLERANCE X.X = ± 0.20 X.XX = ± 0.15 X.X* = $\pm 3^{\circ}$	WIESON TECHNOLOGIES CO., LTD WIESON		PART NO.: G1212-87XXXXX-H0	
	DRAWN BY	SKY	DRAWING NO.	G1212-87XXXXX-H0
	CHECKED BY	JACK	DRAWING SIZE	2 : 1 A4
	APPROVED BY	KEVIN	UNIT	mm
	SORTING NO.	WSC	PAGE	2 OF 2