

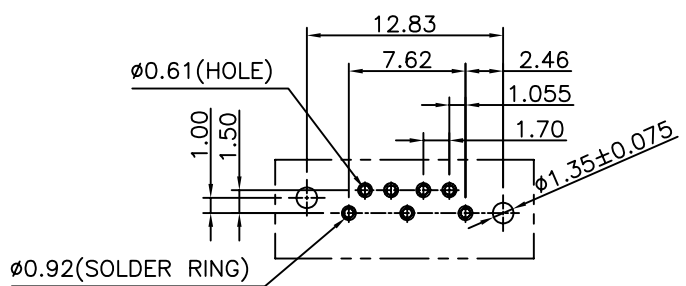
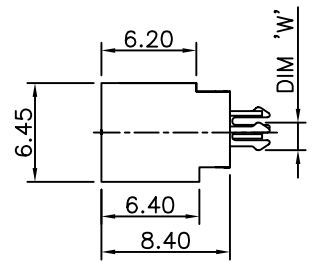
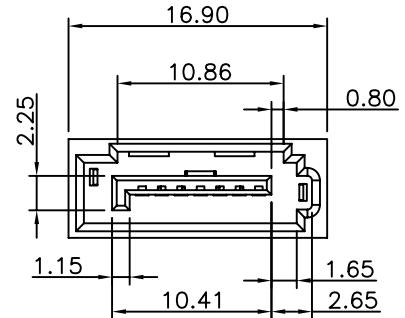
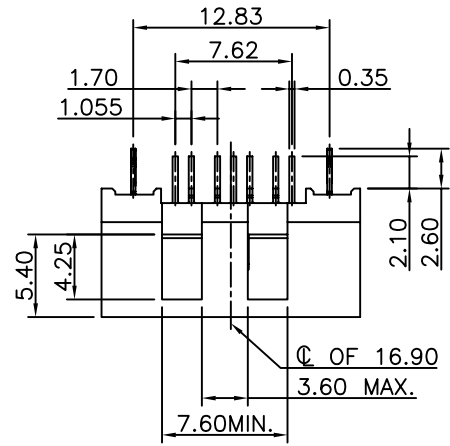
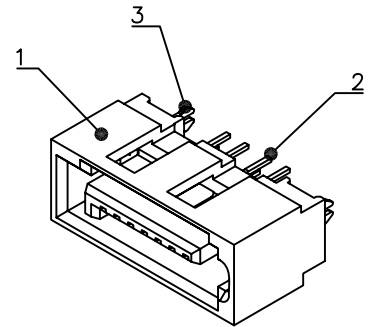
RoHS Compliant

REV	DATE	DESCRIPTION	ECN NO.	NAME
A	10.12.21	NEW RELEASE		DMH

# 1212-SERIES SHROUDED SATA 3.0 VERTICAL TYPE

- NOTE:
- MATERIAL:
    - HOUSING: HIGH TEMPERATURE THERMOPLASTIC(UL94V-0).(SEE ORDER INFORMATION)
    - TERMINAL: COPPER ALLOY,T=0.3±0.01mm.
    - BOARD LOCK: COPPER ALLOY,T=0.3±0.01mm.
  - PLATING:
    - TERMINAL: Au PLATED ON CONTACT AREA(SEE ORDER INFORMATION), Sn PLATED ON SOLDER TAIL AREA, BOTH OVER Ni UNDERPLATED OVERALL.
    - BOARD LOCK: Sn PLATED OVERALL, BOTH OVER Ni UNDERPLATED OVERALL.
  - PACKING: TRAY
  - ORDER INFORMATION: G1212-60 \*\* \*\* \*-00 — TERMINAL PLATING

- |                  |                 |
|------------------|-----------------|
| HOUSING MATERIAL | 01: 1u" Au      |
| 00: LCP, BLACK   | 02: 15u" Au     |
| 01: NY6T, BLACK  | 03: 30u" Au     |
| 02: NY6T, BLUE   | BOARD LOCK SPEC |
| 03: NY6T, YELLOW | 01: W=1.8       |
| 04: NY6T, RED    | 02: W=1.6       |
| 05: NY6T, GRAY   |                 |
| 06: NY9T, BLACK  |                 |
| 07: NY9T, WHITE  |                 |
| 08: NY9T, BLUE   |                 |



RECOMMENDED PCB LAYOUT(TOP VIEW)  
PCB LAYOUT TOLERANCE: ±0.05mm

GENERAL TOLERANCE		WIESON TECHNOLOGIES CO., LTD		PART NO.: G1212-60*****-00	
X.X = ±0.20		DRAWN BY JIN (WST)		DRAWING NO. G1212-60*****-00	
X.XX = ±0.10		CHECKED BY JACK		DRAWING SIZE 2 : 1 A4	
X.X' = ±3'		APPROVED BY JACK		UNIT mm	
⊕		SORTING NO. WSC		PAGE 1 OF 1	

NO.	PART NAME
1	HOUSING
2	TERMINAL
3	BOARD LOCK

已發行