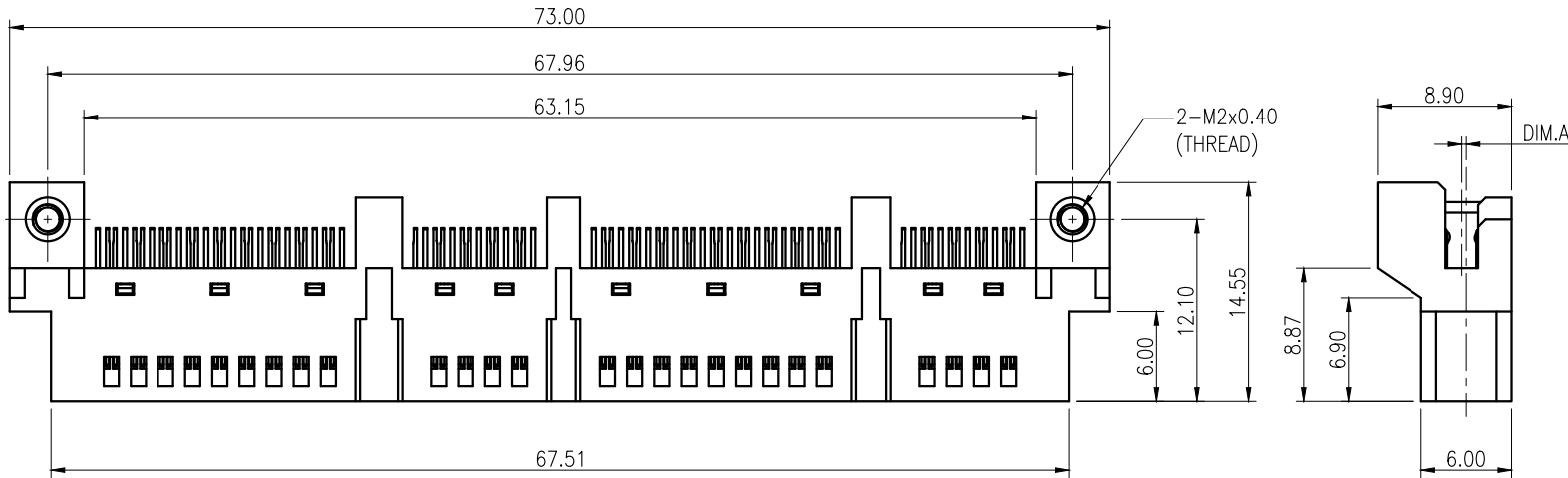


RoHS Compliant

AC1216-01 SERIES SFF-TA-1002 STRADDLE MOUNT CONNECTOR
-4C+ TYPE

REV	DATE	DESCRIPTION	ECN NO.	NAME
A	19.12.20	NEW RELEASE		Patrick
A1	20.03.23	UPDATE DRAWING		Patrick
A2	20.06.12	ADD LOGO OPTION		Patrick
A3	20.09.22	MODIFY DRAWING		Patrick

A
B
C
D
E

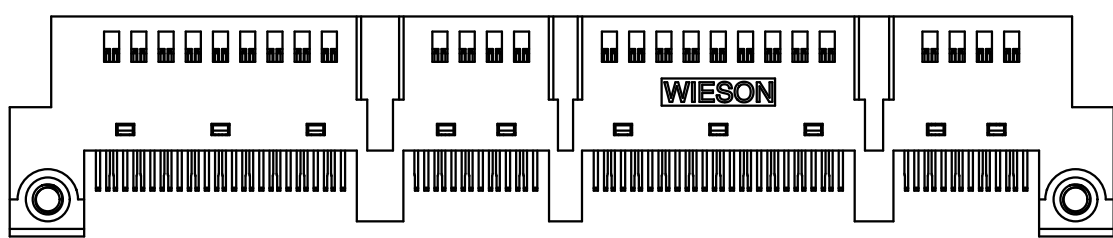
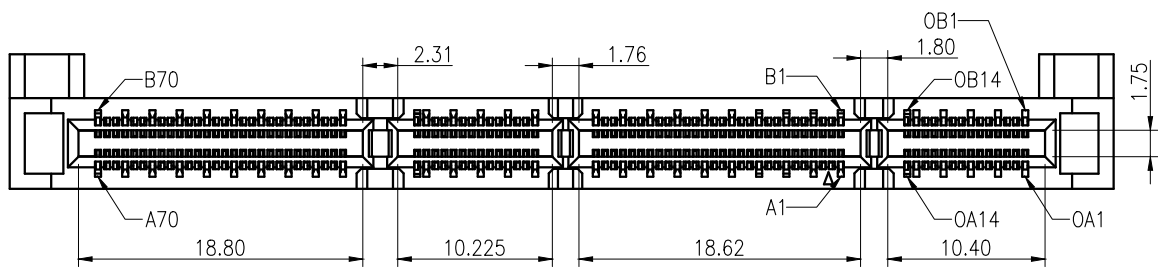


TYPE	DIM.A	DIM.B
A	0	1.57±0.15
B	0.30	1.93±0.19
C	0	2.36±0.23
D	0	2.67±0.26
E	0	3.00±0.30

DIM.A: OFFSET BETWEEN MATING AND HOST PCB
DIM.B: HOST PCB THICKNESS

NOTES:

- 1 MATERIAL:
HOUSING: HIGH TEMPERATURE THERMOPLASTIC 94V-0, BLACK COLOR
TERMINAL: COPPER ALLOY
GROUND, SCREW AND NUT: STAINLESS STEEL
- 2 PLATING:
TERMINAL:
SELECTIVE Au (SEE ORDER INFORMATION) ON CONTACT AREA,
MATTE TIN ON SOLDER TAIL AREA, BOTH OVER Ni UNDERPLATED.
- 3 THE CONNECTOR MUST BE FIXED ON THE PCB WITH M2x0.4 SCREWS (ME0201-01043060-00) WHICH CAN WITHSTAND TORQUE 2.40 kg-cm MAX.
- 4 PACKING: TRAY
- 5 ORDER INFORMATION: AC1216-0114 X X XX -00



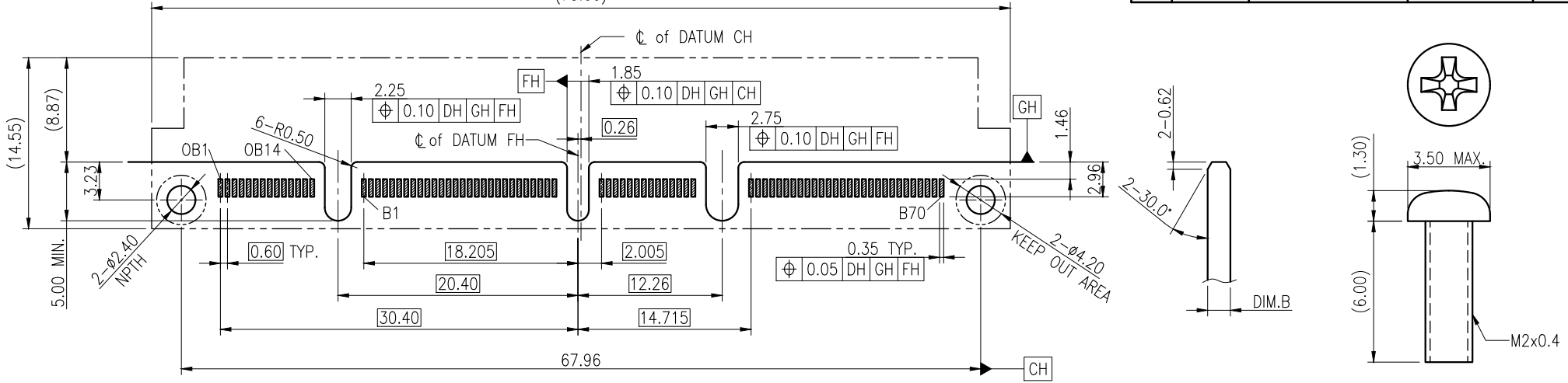
- ① 0: WITH WIESON LOGO
1: WITHOUT WIESON LOGO
- ③ 03: Au 15u"
04: Au 30u"
- ② 1: TYPE A
2: TYPE B
3: TYPE C
4: TYPE D
5: TYPE E

GENERAL TOLERANCE		WIESON TECHNOLOGIES CO., LTD		PART NO.: AC1216-0114XXXX-00	
X.X	=±0.20	DRAWN BY	Patrick	STANDARD NO.	AC1216-0114XXXX-00
X.XX	=±0.15	CHECKED BY	Hsien	DRAWING SIZE	2 : 1 A4
X.X'	=±3°	APPROVED BY	Hsien	UNIT	mm
⊕		SORTING NO.	WSC	PAGE	1 OF 2

RoHS Compliant

AC1216-01 SERIES SFF-TA-1002 STRADDLE MOUNT CONNECTOR
-4C+ TYPE

REV	DATE	DESCRIPTION	ECN NO.	NAME
A	19.12.20	NEW RELEASE		Patrick
A1	20.03.23	UPDATE DRAWING		Patrick
A2	20.06.12	ADD LOGO OPTION		Patrick
A3	20.09.22	MODIFY DRAWING		Patrick



POSITION A1~Axx ON THE OPPOSITE SIDE OF CARD OF B1~Bxx
RECOMMEND HOST BOARD LAYOUT TOLERANCE ±0.05

PIN NUMBER	SIDE A	SIDE B	PIN NUMBER	SIDE A	SIDE B	PIN NUMBER	SIDE A	SIDE B	PIN NUMBER	SIDE A	SIDE B
1	GND	+12V_EDGE	19	GND	GND	37	PERp6	PETp6	55	GND	GND
2	GND	+12V_EDGE	20	PERn1	PETn1	38	GND	GND	56	PERn1	PETn12
3	GND	+12V_EDGE	21	PERp1	PETp1	39	PERn7	PETn7	57	PERp1	PETp12
4	GND	+12V_EDGE	22	GND	GND	40	PERp7	PETp7	58	GND	GND
5	GND	+12V_EDGE	23	PERn2	PETn2	41	GND	GND	59	PERn1	PETn13
6	GND	+12V_EDGE	24	PERp2	PETp2	42	PRSNB1#	PRSNB0#	60	PERp1	PETp13
7	SMCLK	BIFO#	25	GND	GND	43	GND	GND	61	GND	GND
8	SMDAT	BIF1#	26	PERn3	PETn3	44	PERn1	PETn8	62	PERn1	PETn14
9	SMRST#	BIF2#	27	PERp3	PETp3	45	PERp1	PETp8	63	PERp1	PETp14
10	RPSNTA#	PERSTO#	28	GND	GND	46	GND	GND	64	GND	GND
11	PERST1#	+3.3V_EDGE	29	GND	GND	47	PERn1	PETn9	65	PERn1	PETn15
12	RESNTB2#	AUX_PWR_EN	30	PERn4	PETn4	48	PERp1	PETp9	66	PERp1	PETp15
13	GND	GND	31	PERp4	PETp4	49	GND	GND	67	GND	GND
14	REFCLKn1	REFCLKn0	32	GND	GND	50	PERn1	PETn10	68	USB_DATn	RFU1,N/C
15	REFCLKn1	REFCLKn0	33	PERn5	PETn5	51	PERp1	PETp10	69	USB_DATp	RFU2,N/C
16	GND	GND	34	PERp5	PETp5	52	GND	GND	70	PWRBRK0#	PRSNB3#
17	PERn0	PETn0	35	GND	GND	53	PERn1	PETn11			
18	PERp0	PETp0	36	PERn6	PETn6	54	PERp1	PETp11			

PIN NUMBER	SIDE A	SIDE B	PIN NUMBER	SIDE A	SIDE B
O_1	PERST2#	NIC_PWR_GOOD	O_8	RBT_TXD1	RBT_RXD1
O_2	PERST3#	MAIN_PWR_EN	O_9	RBT_TXD0	RBT_RXD0
O_3	WAKE#	LD#	O_10	GND	GND
O_4	RBT_ARB_IN	DATA_IN	O_11	REFCLKn3	REFCLKn2
O_5	RBT_ARB_OUT	DATA_OUT	O_12	REFCLKp3	REFCLKp2
O_6	SLOT_ID1	CLK	O_13	GND	GND
O_7	RBT_TX_EN	SLOT_ID0	O_14	RBT_CLK_IN	RBT_CR5_DV

CUST NO.:

GENERAL TOLERANCE		WIESON TECHNOLOGIES CO., LTD		PART NO.:	
X.X	±0.20	DRAWN BY	Patrick	AC1216-0114XXXX-00	
X.XX	±0.15	CHECKED BY	Hsien	STANDARD NO.	AC1216-0114XXXX-00
X.X*	±3°	APPROVED BY	Hsien	DRAWING SIZE	2 : 1 A4
		SORTING NO.	WSC	UNIT	mm
				PAGE	2 OF 2