

RoHS Compliant

USB 3.0 R/A CONNECTOR, SMT A TYPE FEMALE

REV	DATE	DESCRIPTION	ECN NO.	NAME
A	17.06.22	PROPOSAL		HHuan

MATERIAL:

HOUSING&COLOR: SEE ORDER INFORMATION (UL94V-0)
 TERMINAL: PHOSPHOR BRONZE
 TERMINAL PLATING: SELECTIVE Au IN CONTACT AREA, 100u"
 Sn IN SOLDER TAIL AREA, BOTH
 OVER 30u" Ni UNDER PLATED OVERALL
 SHELL: SEE ORDER INFORMATION
 SHELL PLATING: 30u" Ni PLATED

ORDER INFORMATION
 G3509-22 XX X X XX -XX

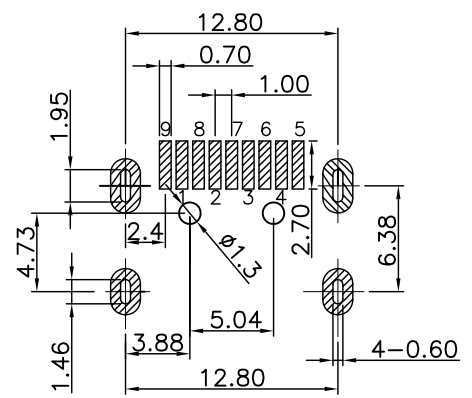
HOUSING&COLOR
 00:LCP; BLUE

SHELL
 0: BRASS

00 : RoHS COMPLIANT
 H0 : HF COMPLIANT

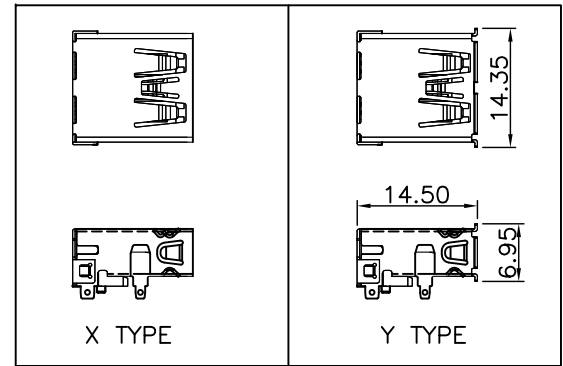
TYPE OPTION
 0: "X" TYPE
 1: "Y" TYPE

TERMINAL PLATING
 01: GOLD FLASH
 02: 3u" Au
 03: 15u" Au
 04: 30u" Au

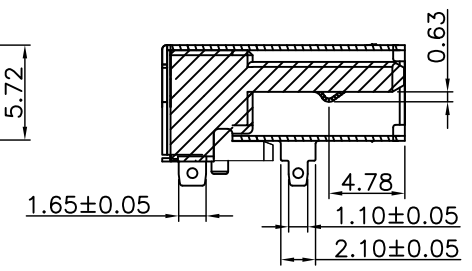
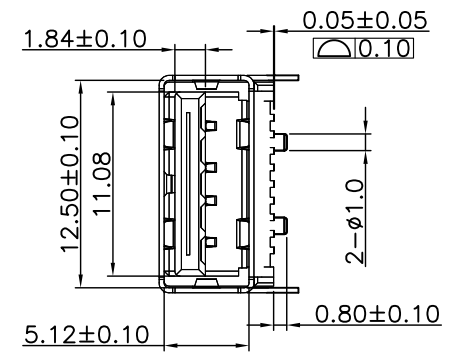
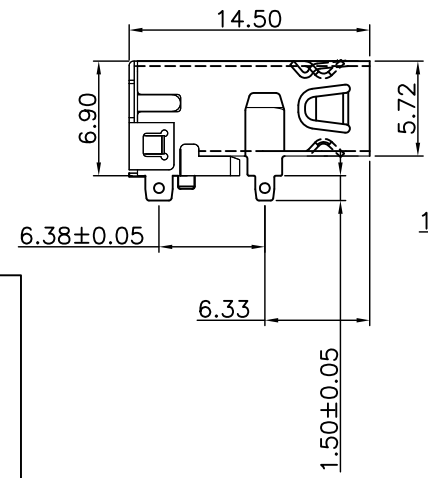
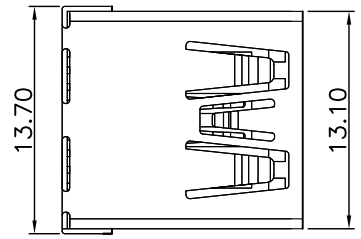
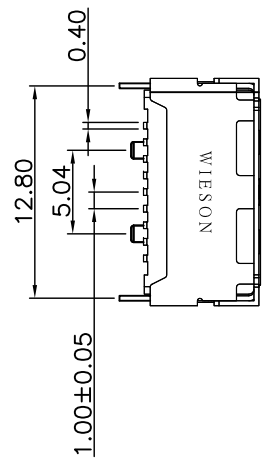


RECOMMENDED P.C.BOARD
 HOLE LAYOUT

NOTE: 1. P.C.B LAYOUT TOLERANCE:±0.05mm
 2. SMT COPLANARITY TOLERANCE Max: 0.10mm



TYPE OPTION



GENERAL TOLERANCE ± 0.25mm GENERAL ANGLE TOLERANCE ± 3°	WIESON TECHNOLOGIES CO., LTD		PART NO.: G3509-22XXXXXX-XX	
	DRAWN BY	HHuan(WSC)	DRAWING NO.	G3509-22XXXXXX-XX
	CHECKED BY	JINKENS	DRAWING SIZE	A4
	APPROVED BY	JINKENS	UNIT	mm
④	SORTING NO.	CB0169 (WSC)	PAGE	1 OF 1

PROPOSAL

[ARTICLE:044033 V6]