

RoHS Compliant

USB 3.0 AF 180° DIP TYPE

REV	DATE	DESCRIPTION	ECN NO.	NAME
A	13.04.07	PROPOSAL		LRP

MATERIAL:

HOUSING: SEE ORDER INFORMATION (UL94V-0)
 HOUSING COLOR: SEE ORDER INFORMATION
 TERMINAL: BRASS
 TERMINAL PLATING: SELECTIVE Au IN CONTACT AREA, 100u"
 min. Sn IN SOLDER TAIL AREA, BOTH
 OVER 30u" min. Ni UNDERPLATED
 OVERALL

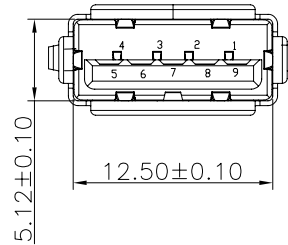
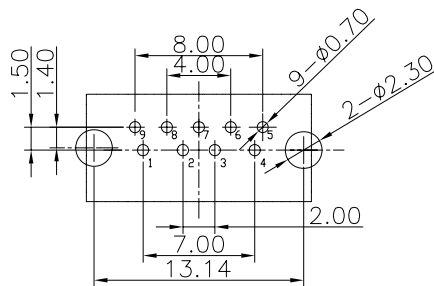
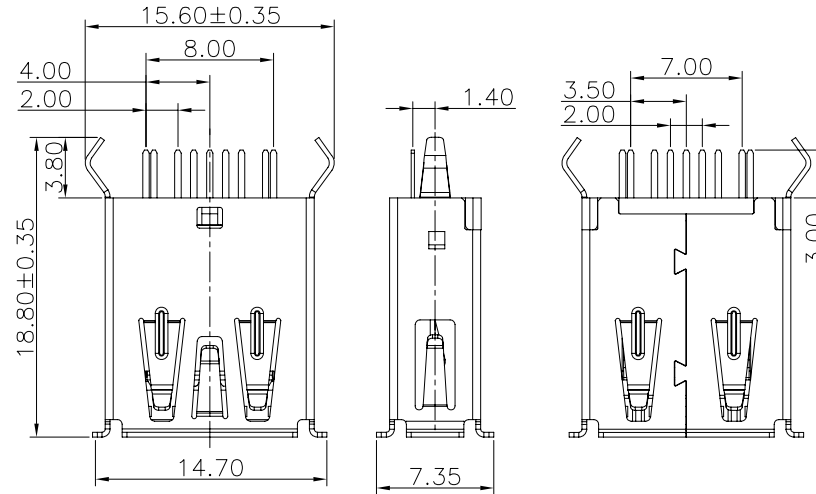
SHELL: SELECTIVE
 SHELL PLATING: Ni PLATED

ORDER INFORMATION
 G3509-37** ** *-00

HOUSING MATERIAL
 &COLOR
 00: PBT; BLACK
 01: PBT; BLUE

SHELL PLATING
 00: BRASS

TERMINAL PLATING
 01: 1u" Au
 02: 5u" Au
 03: 15u" Au
 04: 30" Au



RECOMMENDED P.C. BOARD
 HOLE LAYOUT

NOTE: 1. P.C.B LAYOUT TOLERANCE: ±0.05mm

GENERAL TOLERANCE ± 0.25mm	WIESON TECHNOLOGIES CO., LTD		PART NO.: G3509-37*****-00	
	DRAWN BY	LRP(WSC)	DRAWING NO.	G3509-37*****-00
GENERAL ANGLE TOLERANCE ± 3°	CHECKED BY	JINKENS	DRAWING SIZE	A4
	APPROVED BY	JINKENS	UNIT	mm
⊕	SORTING NO.	CA0059(WSC)	PAGE	1 OF 1

PROPOSAL

[ARTICLE:044033 V6]