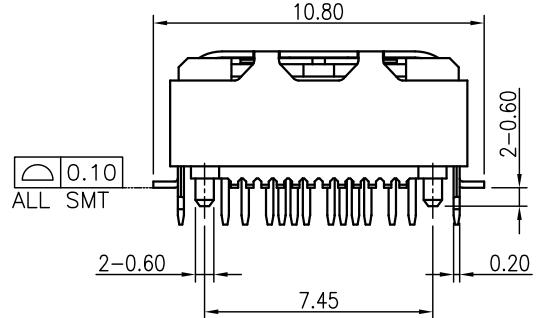
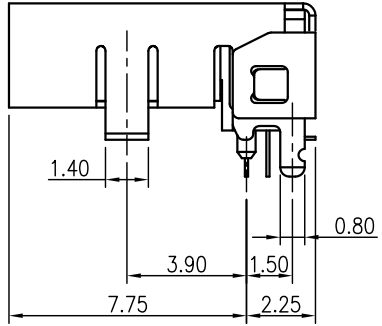
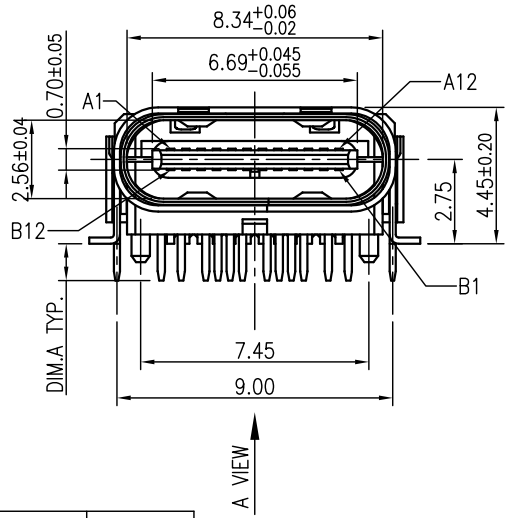
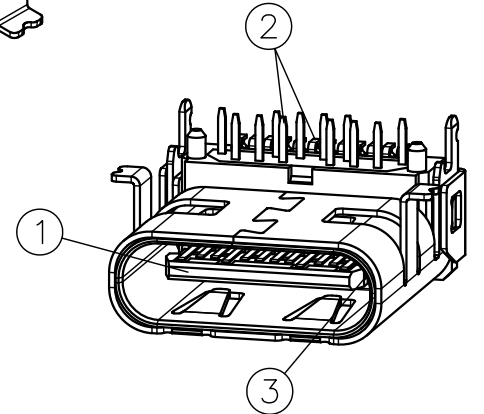
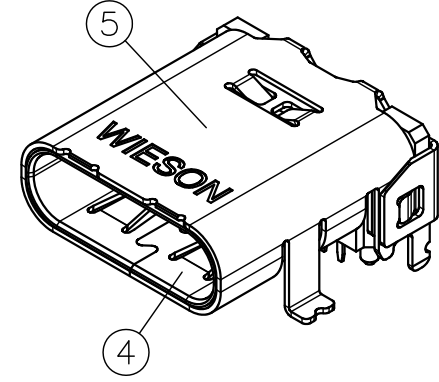
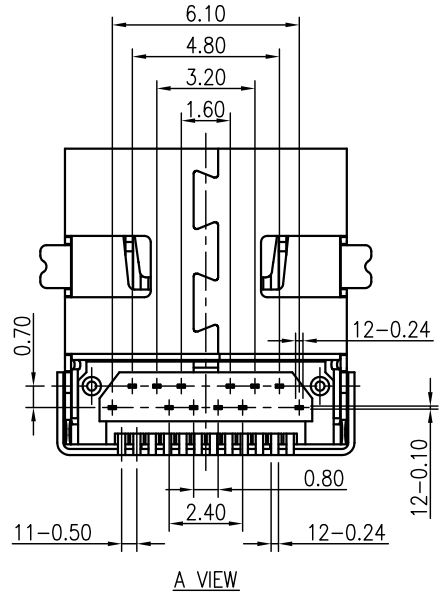
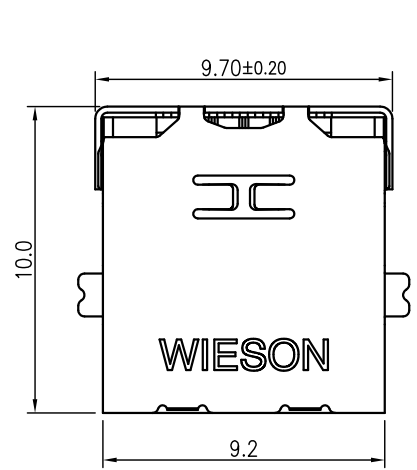


RoHS Compliant

REV	DATE	DESCRIPTION	ECN NO.	NAME
A	17.07.05	NEW RELEASE		Patrick

G3518-08 SERIES USB TYPE-C HYBRID RIGHT ANGLE RECEPTACLE

A
B
C
D
E



5	OUTER SHELL
4	INNER SHELL
3	MID-PLATE
2	TERMINAL
1	HOUSING

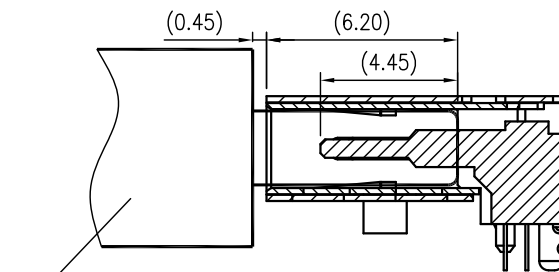
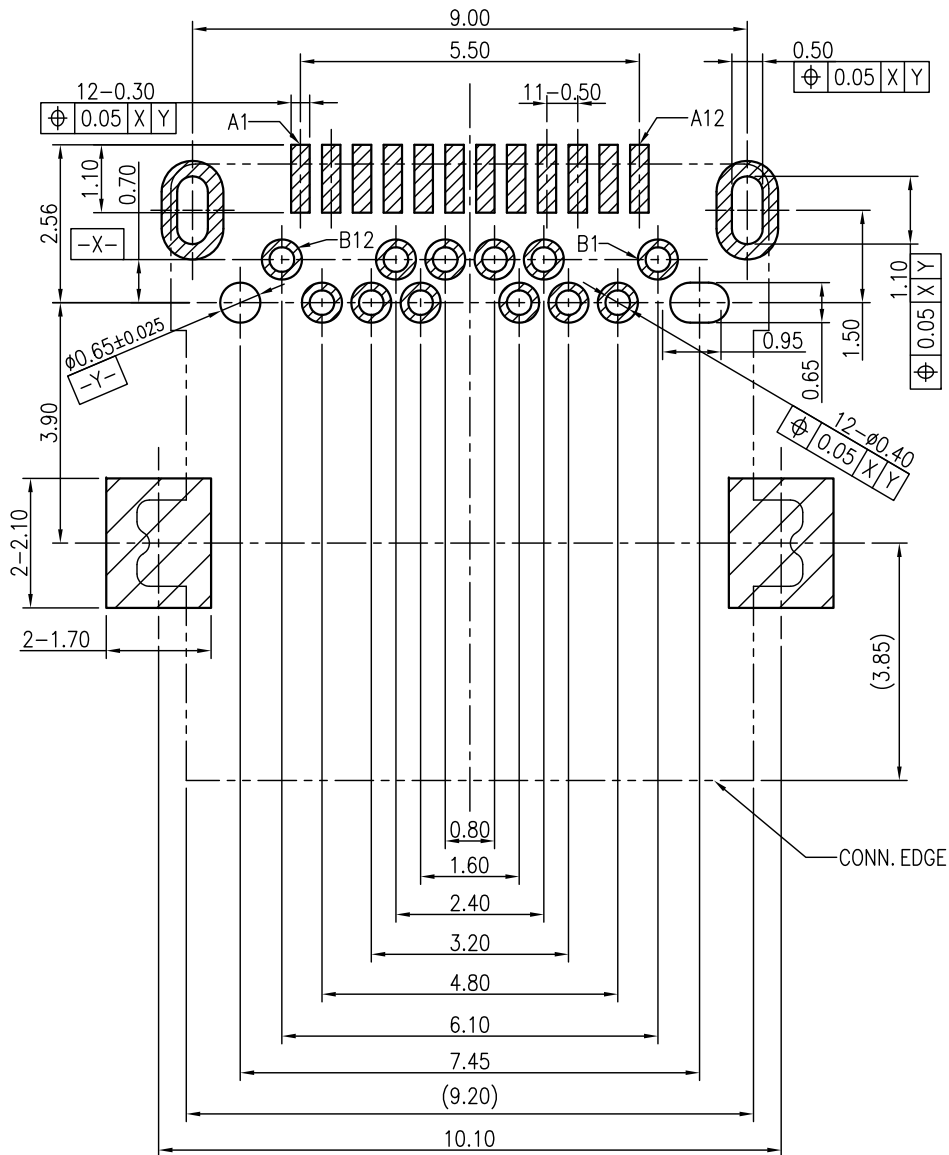
TYPE	DIM.A
TYPE A	1.80
TYPE B	1.20

GENERAL TOLERANCE		WIESON TECHNOLOGIES CO., LTD WIESON	PART NO.: G3518-0800XXX-00		
X.X	=±0.20		DRAWN BY	Patrick	DRAWING NO.
X.XX	=±0.15	CHECKED BY		DRAWING SIZE	4 : 1 A4
X.X'	=±3'	APPROVED BY		UNIT	mm
		SORTING NO.	WSC	PAGE	1 OF 2

RoHS Compliant

REV	DATE	DESCRIPTION	ECN NO.	NAME
A	17.07.05	NEW RELEASE		Patrick

G3518-08 SERIES USB TYPE-C HYBRID RIGHT ANGLE RECEPTACLE



MATED DIAGRAM

NOTES:

- 1 MATERIAL:
HOUSING: LCP UL 94V-0, BLACK COLOR
UPPER TERMINAL: COPPER ALLOY
MID-PLATE: STAINLESS STEEL
INNER SHELL: STAINLESS STEEL
OUTER SHELL: STAINLESS STEEL
 - 2 PLATING:
TERMINAL:
1u" Au ON CONTACT AREA,
100u" MIN. Sn ON SOLDER TAIL AREA,
BOTH OVER 50 u" MIN. Ni INDERPLATED
OVERALL.
OUTER SHELL: SOLDERABLE Ni PLATED OVERALL.
 - 3 PACKING: TAPE & REEL
 - 4 ORDER INFORMATION:
G3518-0800 XX XX -00
① ②
- ①-00: TYPE A (FOR PCB t=1.60)
①-01: TYPE B (FOR PCB t=1.00)
- ②-01: 1u" Au
②-02: 5u" Au
②-03: 15u" Au
②-04: 30u" Au

PIN ASSIGNMENTS			
PIN	SIGNAL NAME	PIN	SIGNAL NAME
A1	GND	B12	GND
A2	SSTXp1	B11	SSRXp1
A3	SSTXn1	B10	SSRXn1
A4	VBUS	B9	VBUS
A5	CC1	B8	SBU2
A6	Dp1	B7	Dn2
A7	Dn1	B6	Dp2
A8	SBU1	B5	CC2
A9	VBUS	B4	VBUS
A10	SSRXn2	B3	SSTXn2
A11	SSRXp2	B2	SSTp2
A12	GND	B1	GND

SCALE: 2:1

RECOMMENDED PCB LAYOUT
TOP VIEW / TOLERANCE: ±0.05

GENERAL TOLERANCE		WIESON TECHNOLOGIES CO., LTD WIESON		PART NO.: G3518-0800XXXX-00	
X.X	=±0.20	DRAWN BY	Patrick	DRAWING NO.	G3518-0800XXXX-00
X.XX	=±0.15	CHECKED BY		DRAWING SIZE	4 : 1 A4
X.X"	=±3"	APPROVED BY		UNIT	mm
SORTING NO.		WSC		PAGE	2 OF 2