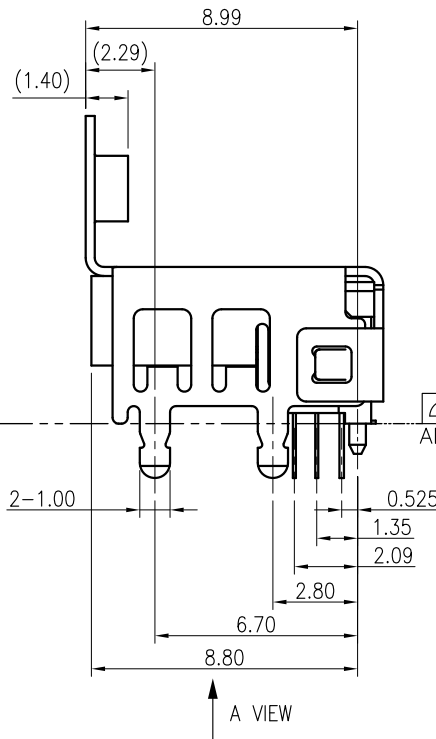
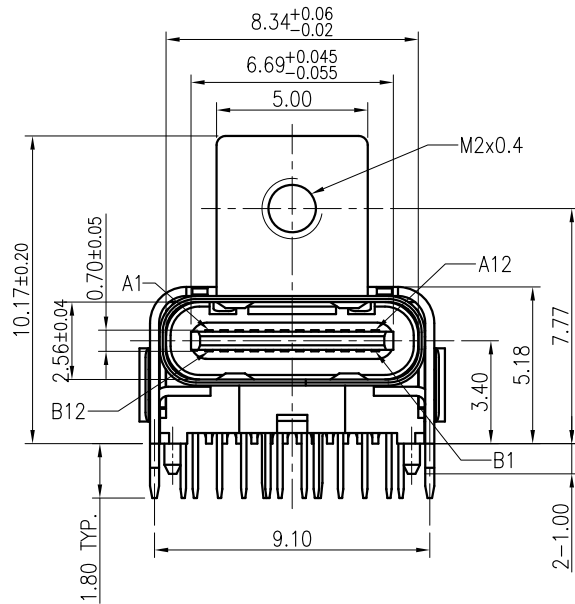
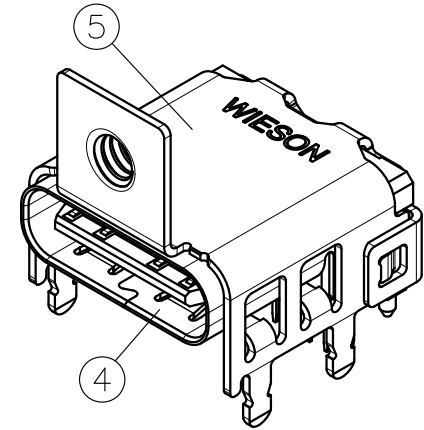
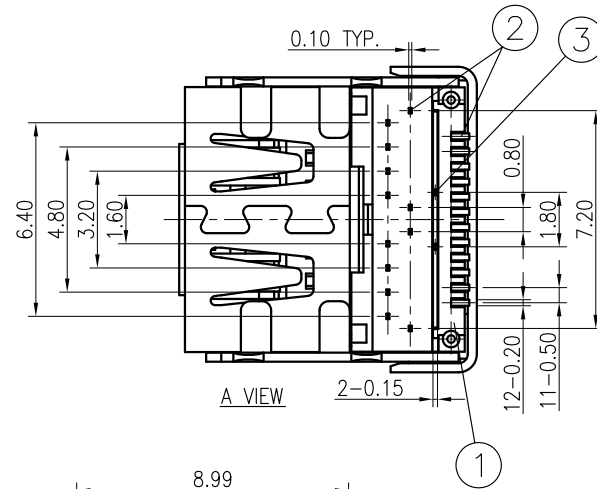
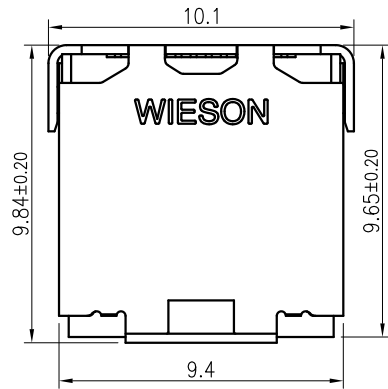


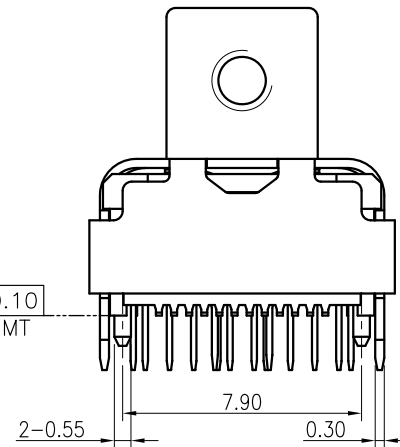
RoHS Compliant

REV	DATE	DESCRIPTION	ECN NO.	NAME
A3	18.05.31	MODIFY		Patrick

G3518 SERIES USB TYPE-C HYBRID RIGHT ANGLE RECEPTACLE



0.10
ALL SMT



5	OUTER SHELL
4	INNER SHELL
3	MID-PLATE
2	TERMINAL
1	HOUSING

GENERAL TOLERANCE	WIESON TECHNOLOGIES CO., LTD	PART NO.: G3518-14XXXXXX-00		
X.X = ±0.20		DRAWN BY	PATRICK	DRAWING NO.
X.XX = ±0.15	CHECKED BY	Hsien	DRAWING SIZE	4 : 1 A4
X.X* = ±3*	APPROVED BY	Hsien	UNIT	mm
☉	SORTING NO.	WSC	PAGE	1 OF 1