

RoHS Compliant

REV	DATE	DESCRIPTION	ECN NO.	NAME
A	17.11.24	PROPOSAL		YSHUA

G3402 SERIES D-SUB 15P W/P FEMALE CONN R/A DIP TYPE

MATERIAL:

HOUSING: SEE ORDER INFORMATION(UL94V-0)
 HOUSING COLOR: SEE ORDER INFORMATION
 WATERPROOF RING: SILICA GEL
 WATERPROOF RING COLOR: BLUE
 WATERPROOF GLUE: EPOXY
 WATERPROOF GLUE COLOR: BLACK
 TERMINAL: BRASS
 TERMINAL PLATING: SELECTIVE Au IN CONTACT AREA
 30u" min Ni UNDER PLATED OVERALL

SHELL: SPCC
 SHELL PLATING: Ni PLATED
 RIVET: BRASS
 RIVET PLATING: Ni PLATING
 SCREW: BRASS
 SCREW PLATING: Ni PLATED

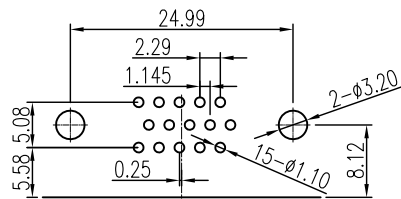
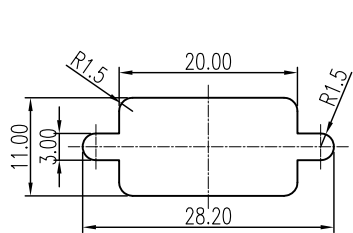
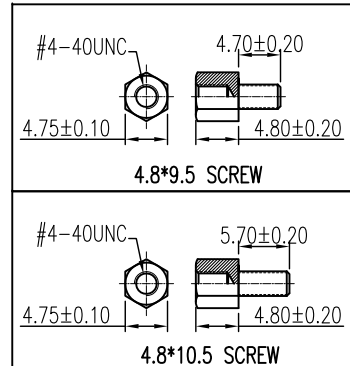
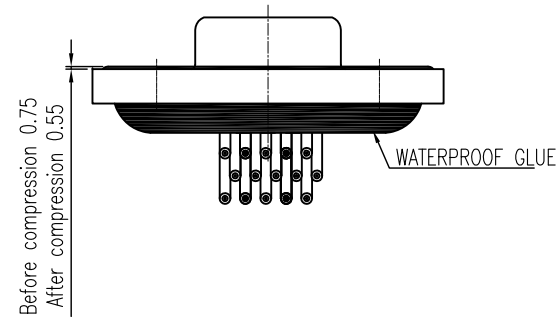
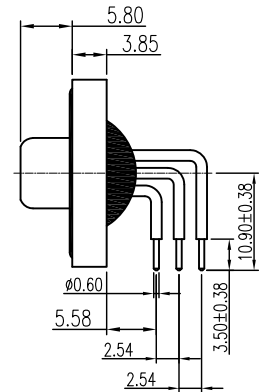
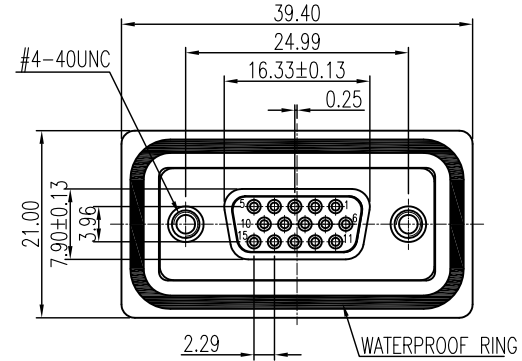
ORDER INFORMATION
 G3402-06 ** ** *-00

HOUSING MATERIAL&COLOR
 01: PBT; BLACK

TERMINAL PLATING
 01: G/F FULL GOLD
 02: 30u" FULL GOLD

SCREW OPTION

- 01: WITHOUT SCREW
- 02: ATTACHED (4.8x9.5) SCREW
- 03: ATTACHED (4.8x10.5) SCREW
- 04: ATTACHED (4.8x9.5+4.8*10.5) SCREW



PANEL THICKNESS

Screw L=4.7 For Panel Thickness Under 1.2mm
 Panel Thickness 1.2~2.0mm
 Screw L=5.7 For Panel Thickness Between 1.2~2.0mm
 Panel Thickness 1.2~2.0mm

NOTE: P.C.B LAYOUT TOLERANCE: ±0.05mm

GENERAL TOLERANCE ± 0.25mm	WIESON TECHNOLOGIES CO., LTD		PART NO.: G3402-06*****-00	
	DRAWN BY	YSHUA(WSC)	DRAWING NO.	G3402-06*****-00
GENERAL ANGLE TOLERANCE ± 3°	CHECKED BY	JINKENS	DRAWING SIZE	A4
	APPROVED BY	JINKENS	UNIT	mm
④	SORTING NO.	CA0009(WSC)	PAGE	1 OF 1

PROPOSAL

[ARTICLE:044033 V6]