

REV	DATE	DESCRIPTION	ECN NO.	NAME
A	17.11.24	PROPOSAL		YSHUA

**RoHS Compliant**

# G3402 SERIES D-SUB 15P W/P FEMALE CONN STRAIGHT DIP TYPE

**MATERIAL:**

HOUSING: SEE ORDER INFORMATION(UL94V-0)  
 HOUSING COLOR: SEE ORDER INFORMATION  
 WATERPROOF RING: SILICA GEL  
 WATERPROOF RING COLOR: BLUE  
 WATERPROOF GLUE: EPOXY  
 WATERPROOF GLUE COLOR: BLACK  
 TERMINAL: BRASS  
 TERMINAL PLATING: SELECTIVE Au IN CONTACT AREA  
 30u" min Ni UNDER PLATED OVERALL

SHELL: SPCC  
 SHELL PLATING: Ni PLATED  
 RIVET: BRASS  
 RIVET PLATING: Ni PLATING  
 SCREW: BRASS  
 SCREW PLATING: Ni PLATED

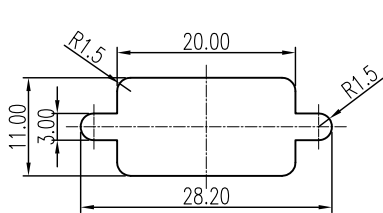
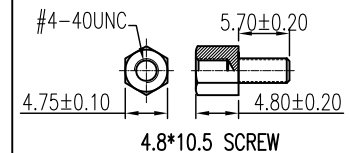
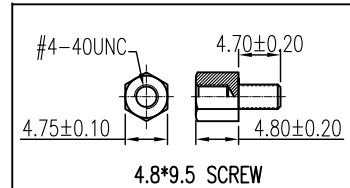
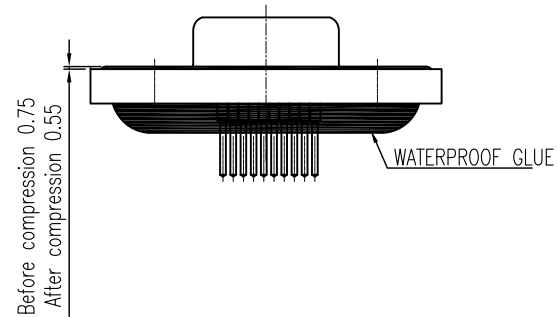
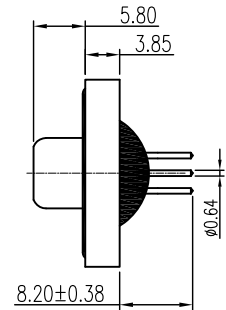
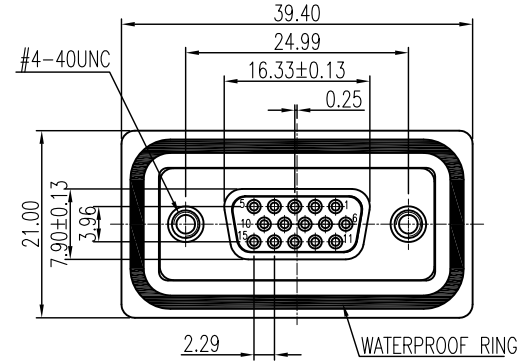
**ORDER INFORMATION**  
 G3402-05 \*\* \*\* \*-00

**HOUSING MATERIAL&COLOR**  
 01: PBT; BLACK

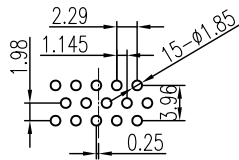
**TERMINAL PLATING**  
 01: G/F FULL GOLD  
 02: 30u" FULL GOLD

**SCREW OPTION**

01: WITHOUT SCREW  
 02: ATTACHED (4.8x9.5) SCREW  
 03: ATTACHED (4.8x10.5) SCREW  
 04: ATTACHED (4.8x9.5+4.8\*10.5) SCREW

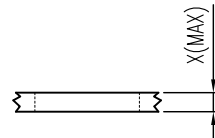


**RECOMMENDED PANEL CUT-OUT**



**RECOMMENDED P.C.BOARD HOLE LAYOUT**

NOTE: P.C.B LAYOUT TOLERANCE: ±0.05mm



**PANEL THICKNESS**

Screw L=4.7 For Panel Thickness Under 1.2mm  
 Panel Thickness 1.2~2.0mm  
 Screw L=5.7 For Panel Thickness Between 1.2~2.0mm  
 Panel Thickness 1.2~2.0mm

GENERAL TOLERANCE ± 0.25mm	WIESON TECHNOLOGIES CO., LTD		PART NO.: G3402-05*****-00	
	WIESON	DRAWN BY YSHUA(WSC)	DRAWING NO.	G3402-05*****-00
GENERAL ANGLE TOLERANCE ± 3°	CHECKED BY JINKENS	APPROVED BY JINKENS	DRAWING SIZE	A4
	SORTING NO. CA0009(WSC)		UNIT	mm
			PAGE	1 OF 1

PROPOSAL

[ARTICLE:044033 V6]