

RoHS Compliant

REV	DATE	DESCRIPTION	ECN NO.	NAME
A	18.08.10	NEW RELEASE		Aaron
A1	18.12.08	新增規格		Aaron

M12 CONNECTOR PANEL MALE TYPE

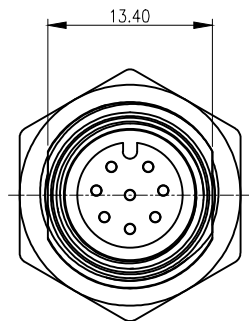
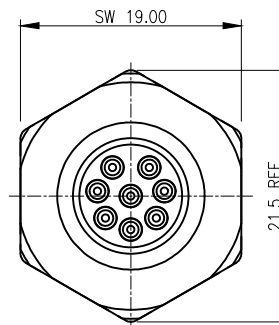
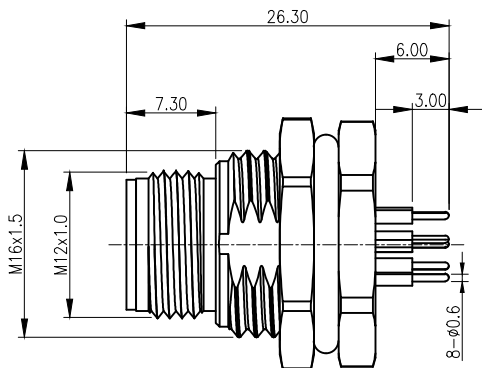
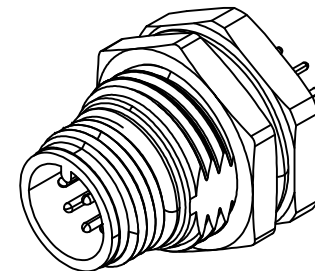
NOTE:

- MATERIAL:
CONTACT: BRASS
O-RING: SILICONE
SHELL: BRASS
HOUSING/COVER:
HIGH TEMPERATURE PLASTIC, UL94V-0,
COLOR:BLACK
- PLATING:
CONTACT:1~3u".GOLD PLATED
UNDER PLATE: NICKEL
NUT: NICKEL PLATED
SHELL: NICKEL PLATED
- PACKING: TRAY

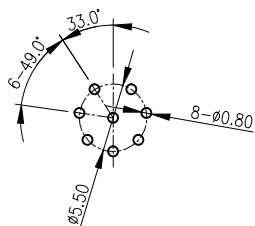
4. PART NO.:
G3401-0200XXX1-00

0: FOR KEY 0° 0: A-CODE
1: FOR KEY 45° 1: D-CODE

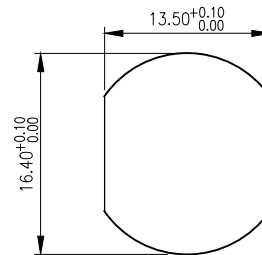
0: 8 PIN
1: 4 PIN
2: 5 PIN
3: 12 PIN
4: 17 PIN



G3401-02000001-00



PCB LAYOUT
FOR G3401-02000001-00



PANEL CUT
FOR PANEL THICKNESS MAX OF 4.5mm

TECHNICAL DATA	G3401-02000001-00
RATED VOLTAGE	60V
RATED IMPULSE VOLTAGE	800V
RATED CURRENT	2A
WATERPROOF RATE	IP68
TEMPERATURE RANGE	-40°C~85°C

GENERAL TOLERANCE	WIESON TECHNOLOGIES CO., LTD		PART NO.: G3401-0200XXX1-00	
X.X = ±0.20	DRAWN BY	Aaron	DRAWING NO.	G3401-0200XXX1-00
X.XX = ±0.15	CHECKED BY		DRAWING SIZE	1.7: 1 A4
X.X' = ±3'	APPROVED BY		UNIT	mm
	SORTING NO.	WST	PAGE	1 OF 3