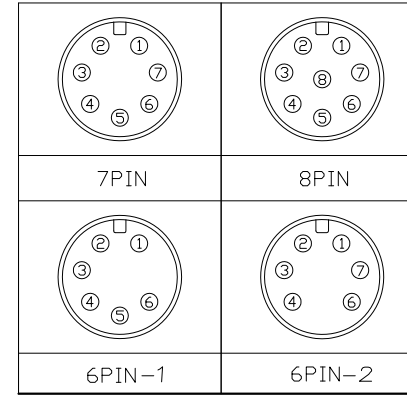
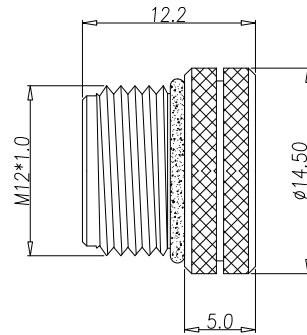
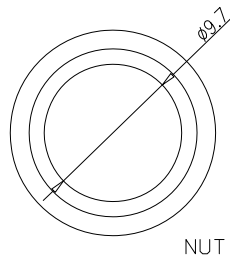
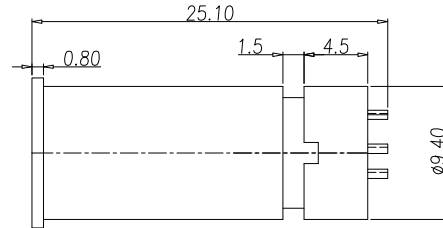
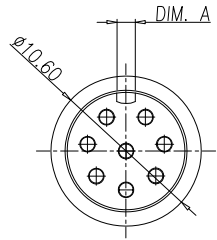


RoHS Compliant

M12 (6.7.8) PIN (M)

REV	DATE	DESCRIPTION	ECN NO.	NAME
A	20.07.14	PROPOSAL		LWEI



- MATERIAL :**
 - 1-1. HOUSING : PBT UL94V-0 ; COLOR : BLACK
 - 1-2. CONTACT : BRASS
 - 1-3. NUT : BRASS
 - 1-4. O-RING: EPDM ; COLOR: BLACK
- FINISH :**
 - 2-1. CONTACT : Au PLATED ON CONTACT AREA (SEE ORDER INFORMATION)
UNDER PLATE : NICKEL
 - 2-2. NUT : NICKEL PLATED (SEE ORDER INFORMATION)
- ELECTRICAL SPECIFICATION :**
 - 3-1. Rated current : 2A
 - 3-2. Rated Voltage : 30V
 - 3-3. Water proof: IP67/68
- Environmental :**
 - 4-1. Operation Temperature : $-40^{\circ}\text{C} \sim 85^{\circ}\text{C}$
- ORDER INFORMATION:** AC3401-0605 $\overset{\textcircled{1}}{\text{X}} \overset{\textcircled{2}}{\text{X}} \overset{\textcircled{3}}{\text{X}} \overset{\textcircled{4}}{\text{X}} -00$

- | | |
|--|--|
| <p>DIM.A OPTION</p> <p>$\textcircled{0}$ DIM.A=1.30</p> <p>$\textcircled{1}$ DIM.A=1.10</p> | <p>PIN OPTION</p> <p>$\textcircled{0}$ 6PIN-1</p> <p>$\textcircled{1}$ 6PIN-2</p> <p>$\textcircled{2}$ 7PIN</p> <p>$\textcircled{3}$ 8PIN</p> |
| <p>NICKEL OPTION</p> <p>$\textcircled{0}$ NORMAL NICKEL</p> <p>$\textcircled{1}$ BLACK NICKEL</p> | <p>PLATING OPTION</p> <p>$\textcircled{0}$ G/F</p> <p>$\textcircled{1}$ 10u*</p> |

CUST NO.:

GENERAL TOLERANCE X.X = ± 0.20 X.XX = ± 0.15 X.X* = $\pm 3^{\circ}$	WIESON TECHNOLOGIES CO., LTD WIESON	PART NO.: AC3401-0605XXXX-00	
		DRAWN BY: LWEI	STANDARD NO.
	CHECKED BY: YXJ	DRAWING SIZE: 1 : 1 A4	
	APPROVED BY: JIM	UNIT: mm	
	SORTING NO.: NY (WSC)	PAGE: 1 OF 1	