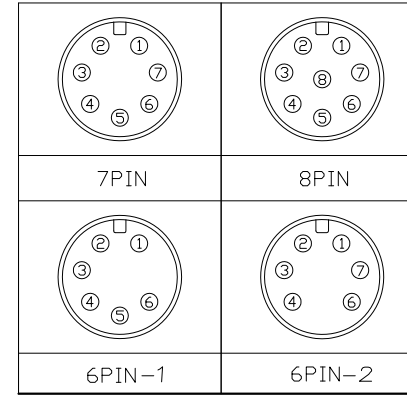
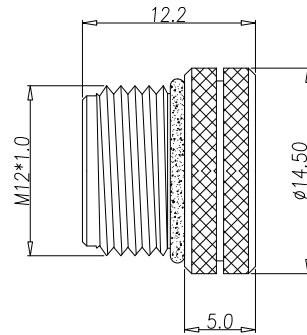
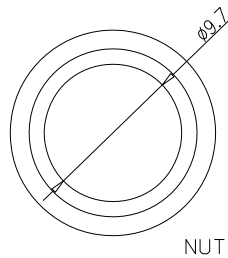
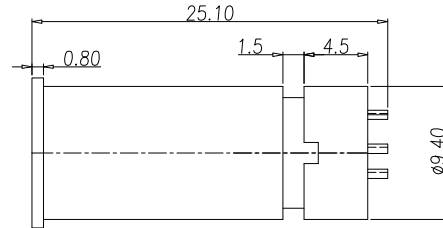
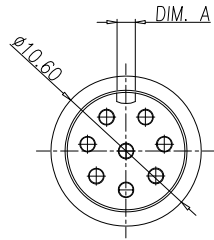


**RoHS Compliant**

M12 ( 6.7.8 ) PIN (M)

REV	DATE	DESCRIPTION	ECN NO.	NAME
A	20.07.14	PROPOSAL		LWEI



- MATERIAL :**
  - 1-1. HOUSING : PBT UL94V-0 ; COLOR : BLACK
  - 1-2. CONTACT : BRASS
  - 1-3. NUT : BRASS
  - 1-4. O-RING: EPDM ; COLOR: BLACK
- FINISH :**
  - 2-1. CONTACT : Au PLATED ON CONTACT AREA (SEE ORDER INFORMATION)  
UNDER PLATE : NICKEL
  - 2-2. NUT : NICKEL PLATED (SEE ORDER INFORMATION)
- ELECTRICAL SPECIFICATION :**
  - 3-1. Rated current : 2A
  - 3-2. Rated Voltage : 30V
  - 3-3. Water proof: IP67/68
- Environmental :**
  - 4-1. Operation Temperature : -40°C~85°C
- ORDER INFORMATION: AC3401-0605**
  - X X X X -00
  - ① ② ③ ④

- DIM.A OPTION**
  - ① 0: DIM.A=1.30
  - 1: DIM.A=1.10
- PIN OPTION**
  - ② 0: 6PIN-1
  - 1: 6PIN-2
  - 2: 7PIN
  - 3: 8PIN
- NICKEL OPTION**
  - ③ 0: NORMAL NICKEL
  - 1: BLACK NICKEL
- PLATING OPTION**
  - ④ 0: G/F
  - 1: 10u\*

CUST NO.:

GENERAL TOLERANCE	WIESON TECHNOLOGIES CO., LTD	PART NO.: AC3401-0605XXXX-00	
		STANDARD NO.	
X.X = ±0.20	DRAWN BY	LWEI	DRAWING SIZE 1 : 1 A4
X.XX = ±0.15	CHECKED BY	YXJ	UNIT mm
X.X* = ±3'	APPROVED BY	JIM	PAGE 1 OF 1
	SORTING NO.	NY (WSC)	