

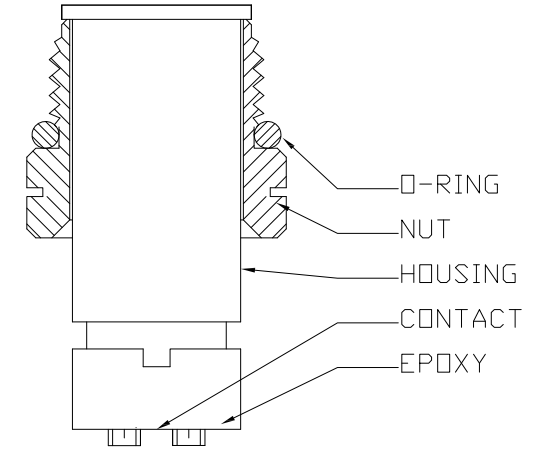
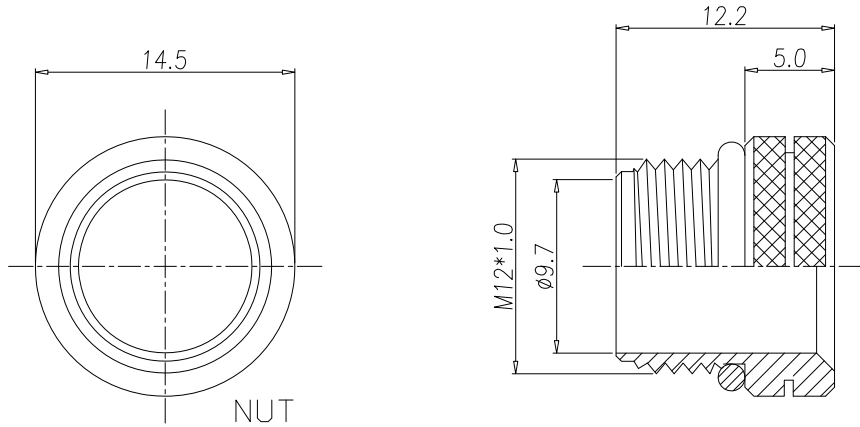
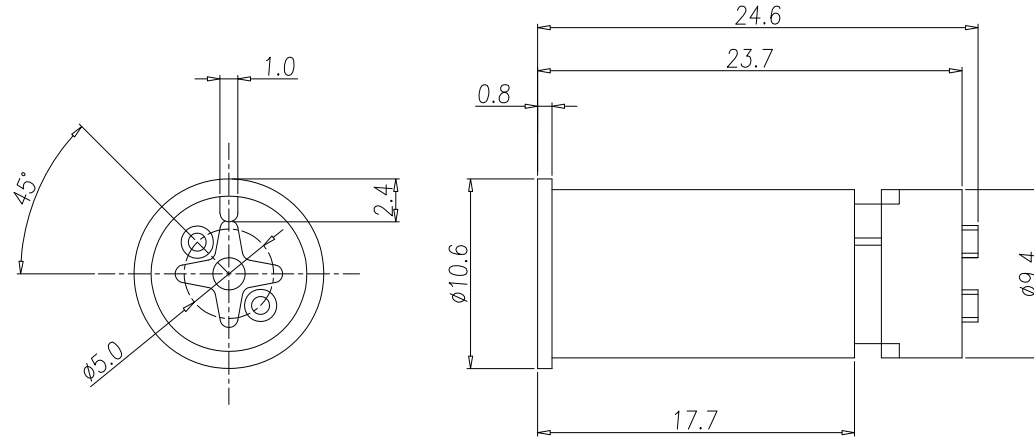
RoHS Compliant

WP M12 12PIN(M)

REV	DATE	DESCRIPTION	ECN NO.	NAME
A	20.07.14	PROPOSAL		LWEI

- MATERIAL :
 - 1-1. HOUSING : PBT UL94V-0 ; COLOR : BLACK
 - 1-2. CONTACT : BRASS
 - 1-3. NUT : BRASS
 - 1-4. O-RING : EPDM
- FINISH :
 - 2-1. CONTACT : Au PLATED ON CONTACT AREA (SEE ORDERINFORMATION)
 - UNDER PLATE : NICKEL
 - 2-2. NUT : NICKEL PLATED
- ELECTRICAL SPECIFICATION :
 - 3-1. Rated current : 1.5A
 - 3-2. Rated Voltage : 30V
 - 3-3. Water proof: IPX7
- Environmental :
 - 4-1. Operation Temperature : -40℃~85℃
- ORDER INFORMATION: AC3401-060600 XX -00

PLATING OPTION
 ① G/F
 ② 10u"



WP-O2M2-35-11	WP-O2M2-02

GENERAL TOLERANCE X.X = ±0.20 X.XX = ±0.15 X.X* = ±3*	WIESON TECHNOLOGIES CO., LTD	CUST NO.:			
		PART NO.: AC3401-060600XX-00			
		DRAWN BY	LWEI	STANDARD NO.	
		CHECKED BY	YXJ	DRAWING SIZE	1 : 1 A4
APPROVED BY	JIM	UNIT	mm		
	SORTING NO.	NY (WSC)	PAGE 1 OF 1		