

**RoHS Compliant**

WP M12-3(M)

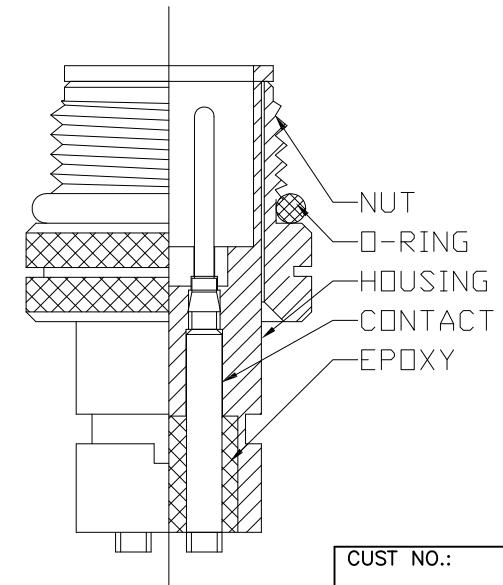
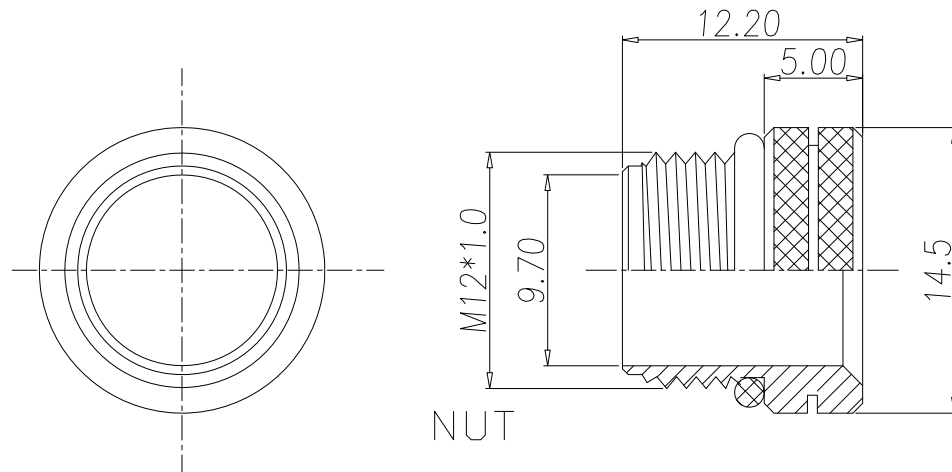
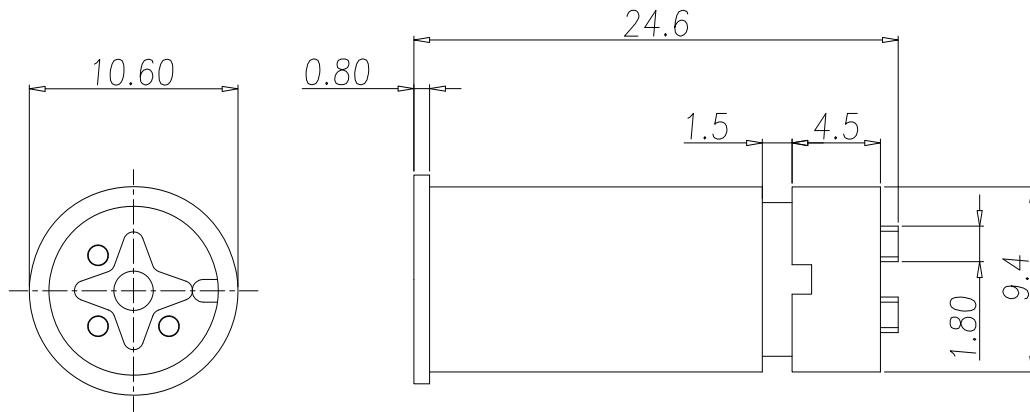
REV	DATE	DESCRIPTION	ECN NO.	NAME
A	20.08.21	PROPOSAL		LWEI

- MATERIAL :
  - 1-1. HOUSING : PBT UL94V-0 ; COLOR : BLACK
  - 1-2. CONTACT : BRASS
  - 1-3. NUT : BRASS
  - 1-4. O-RING: EPDM ; COLOR : BLACK
- FINISH :
  - 2-1. CONTACT : Au PLATED ON CONTACT AREA(SEE ORDER INFORMATION)
  - 2-2. NUT : NICKEL PLATED
- ELECTRICAL SPECIFICATION :
  - 3-1. Rated current : 4A
  - 3-2. Rated Voltage : 250V
  - 3-3. Water proof: IP68
- Environmental :
  - 4-1. Operation Temperature : -40°C~85°C
- ORDER INFORMATION: AC3401-061100 XX -00

PLATING OPTION

- ② 01: G/F
- 02: 10u"

①



CUST NO.:

GENERAL TOLERANCE	WIESON TECHNOLOGIES CO., LTD WIESON	PART NO.: AC3401-061100XX-00	
		DRAWN BY: LWEI	STANDARD NO.:
X.X = ±0.20	CHECKED BY: YXJ	DRAWING SIZE	1 : 1 A4
X.XX = ±0.15	APPROVED BY: JIM	UNIT	mm
X.X* = ±3'	SORTING NO. NY (WSC)	PAGE	1 OF 1