

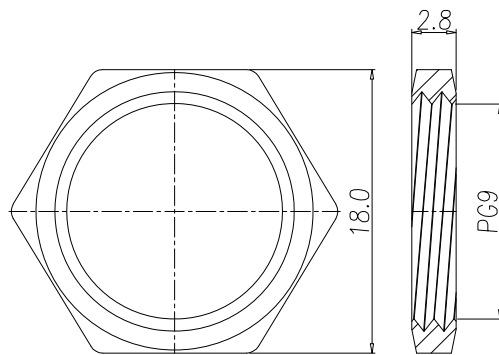
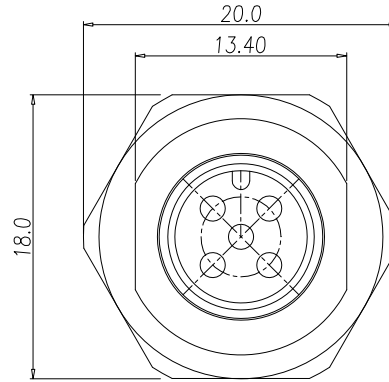
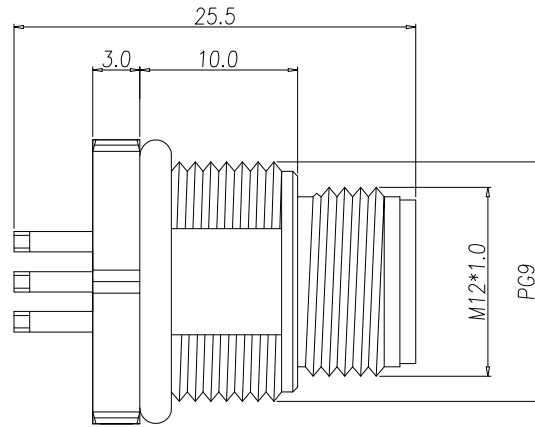
**RoHS Compliant**

WP M12 PIN A-code (M)

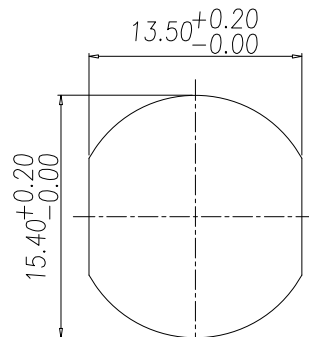
REV	DATE	DESCRIPTION	ECN NO.	NAME
A	20.08.21	PROPOSAL		LWEI

- MATERIAL :**
  - 1-1. HOUSING : PBT UL94V-0 ; COLOR : BLACK
  - 1-2. CONTACT : BRASS
  - 1-3. NUT : BRASS
  - 1-4. SHELL : BRASS
  - 1-5. O-RING: EPDM
- FINISH :**
  - 2-1. CONTACT : 10u" MIN Au PLATED ON CONTACT AREA
  - 2-2. NUT : NICKEL PLATED
  - 2-3. SHELL : NICKEL PLATED
- ELECTRICAL SPECIFICATION :**
  - 3-1. Rated current : 4A
  - 3-2. Rated Voltage : 4PIN 250V ; 5PIN 60V
  - 3-3. Water proof: IPX7
- Environmental :**
  - 4-1. Operation Temperature : -40°C~85°C
- ORDER INFORMATION:AC3401-0612 XX 00-00**

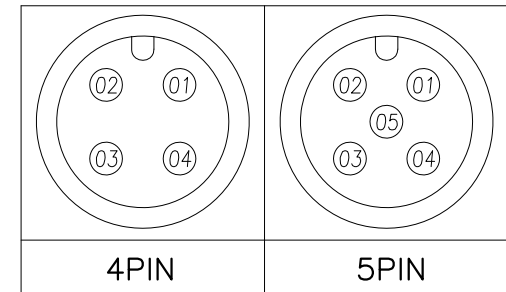
PIN OPTION  
 ①-01: 4PIN  
 ②-02: 5PIN



NUT



RECOMMENDPANEL CUT-OUT



4PIN

5PIN

GENERAL TOLERANCE		WIESON TECHNOLOGIES CO., LTD WIESON	CUST NO.:	
X.X	=±0.20		PART NO.:	
X.XX	=±0.15	DRAWN BY	LWEI	AC3401-0612XX00-00
X.X*	=±3'	CHECKED BY	YXJ	STANDARD NO.
		APPROVED BY	JIM	DRAWING SIZE 1 : 1 A4
		SORTING NO.	NY (WSC)	UNIT mm
				PAGE 1 OF 1