

RoHS Compliant

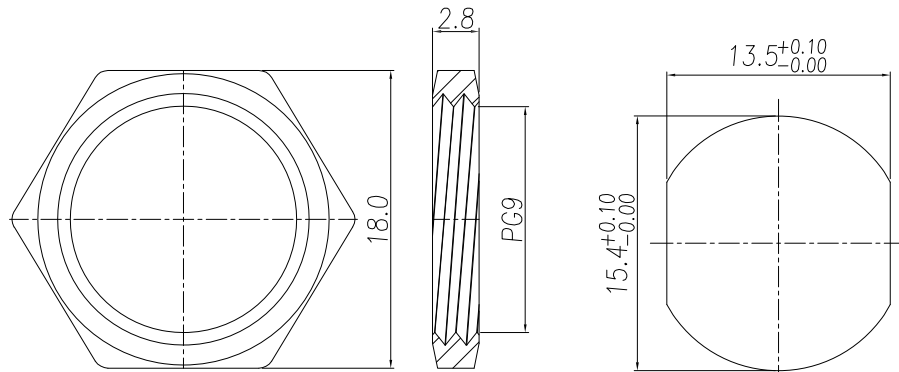
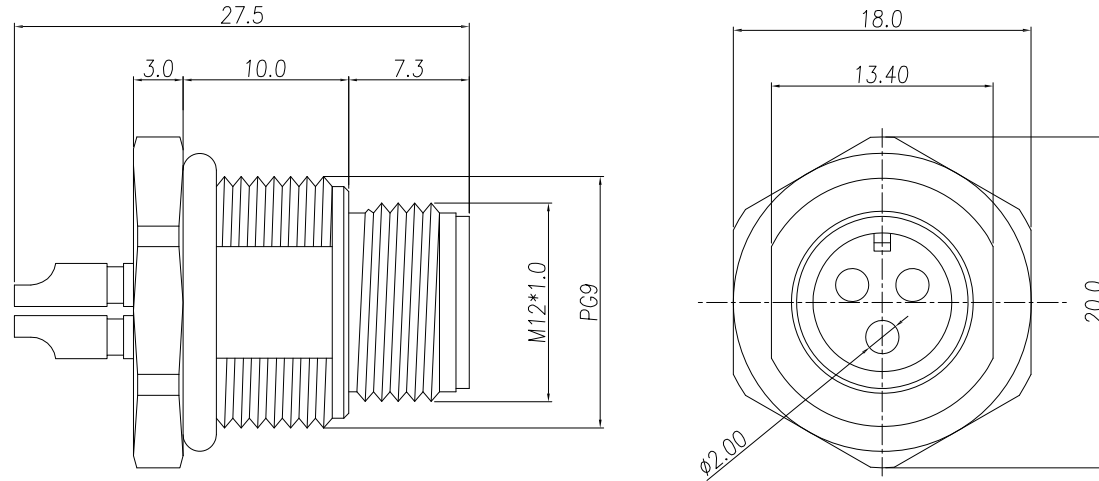
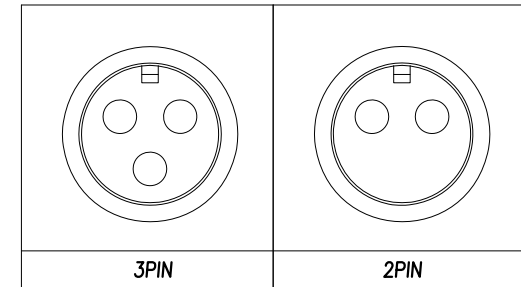
WP M12- (2~3)PIN(M)

REV	DATE	DESCRIPTION	ECN NO.	NAME
A	20.08.21	PROPOSAL		LWEI

- MATERIAL :
 - HOUSING : PBT UL94V-0 ; COLOR : BLACK
 - CONTACT : BRASS
 - NUT : BRASS
 - SHELL : BRASS
 - O-RING: EPDM ; COLOR : BLACK
- FINISH :
 - CONTACT : 10u" MIN Au PLATED ON CONTACT AREA
UNDER PLATE : NICKEL
 - NUT : NICKEL PLATED
 - SHELL : NICKEL PLATED
- ELECTRICAL SPECIFICATION :
 - Rated current : 15A
 - Rated Voltage : 250V
 - Water proof: IPX7
- Environmental :
 - Operation Temperature : -40°C~85°C
- ORDER INFORMATION: AC3401-0614 XX 00-00

PIN OPTION

- ① 01: 2PIN
- ② 02: 3PIN



NUT

RECOMMENDPANEL CUT-OUT

GENERAL TOLERANCE		WIESON TECHNOLOGIES CO., LTD WIESON	CUST NO.:	
X.X	=±0.20		PART NO.: AC3401-0614XX00-00	
X.XX	=±0.15	DRAWN BY	LWEI	STANDARD NO.
X.X*	=±3'	CHECKED BY	YXJ	DRAWING SIZE 1 : 1 A4
		APPROVED BY	JIM	UNIT mm
		SORTING NO.	NY (WSC)	PAGE 1 OF 1