

REV	DATE	DESCRIPTION	ECN NO.	NAME
A	20.07.14	PROPOSAL		LWEI

RoHS Compliant

WP M12 (F)

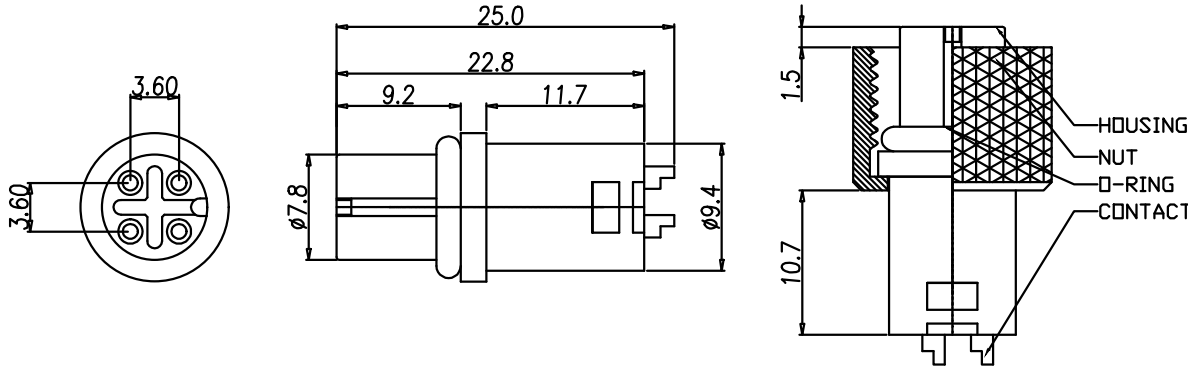
A

B

C

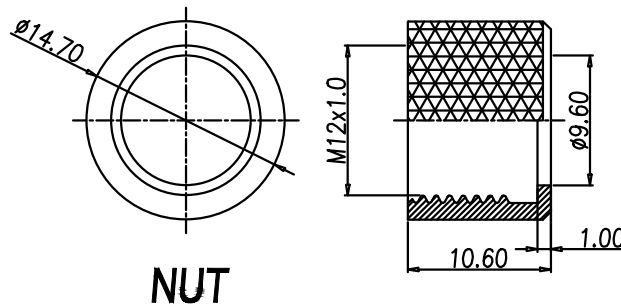
D

E

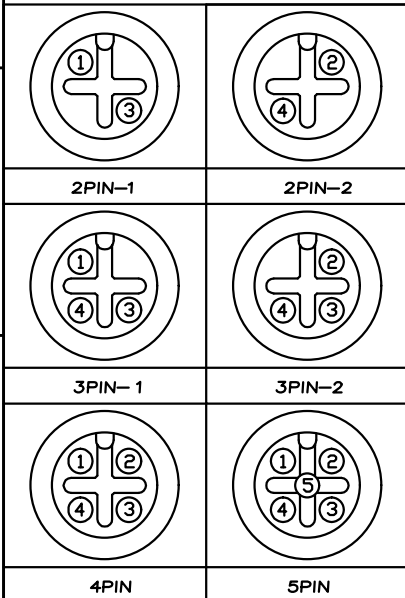


1. MATERIAL :
 - 1-1. HOUSING : PBT UL94V-0 ; COLOR : BLACK
 - 1-2. CONTACT : BRASS
 - 1-3. NUT : BRASS
 - 1-4. O-RING : EPDM ; COLOR : BLACK
2. FINISH :
 - 2-1. CONTACT : 10u" MIN. GOLD PLATED
UNDER PLATE : NICKEL
 - 2-2. NUT : NICKEL PLATED
3. ELECTRICAL SPECIFICATION :
 - 3-1. Rated current : 4A
 - 3-2. Rated Voltage : 2~4PIN 250V;5PIN 60V
 - 3-3. Water proof: IPX7
4. Environmental :
 - 4-1. Operation Temperature : -40℃~85℃
5. ORDER INFORMATION: AC3402-1804 XX 00-00

- ① PIN OPTION
- 01: 2PIN-1
 - 02: 2PIN-2
 - 03: 3PIN-1
 - 04: 3PIN-2
 - 05: 4PIN
 - 06: 5PIN



NUT



CUST NO.:

PART NO.: **AC3402-1804XX00-00**

GENERAL TOLERANCE		WIESON TECHNOLOGIES CO., LTD WIESON		STANDARD NO.	
X.X	=±0.20	DRAWN BY	LWEI	DRAWING SIZE	
X.XX	=±0.15	CHECKED BY	YXJ	1 : 1	A4
X.X*	=±3'	APPROVED BY	JIM	UNIT	mm
⊕		SORTING NO.	NY (WSC)	PAGE	1 OF 1