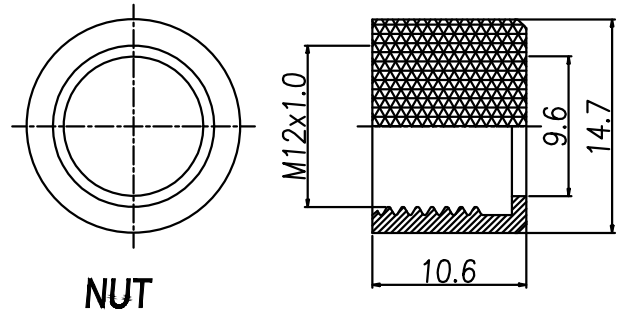
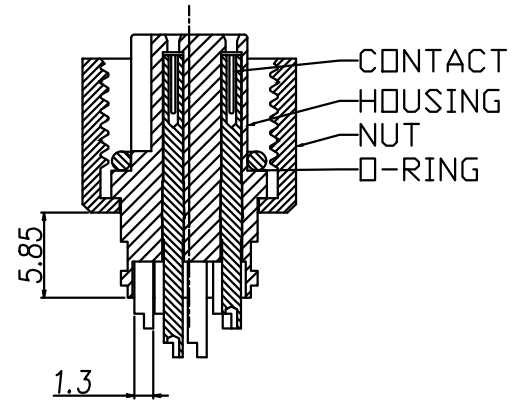
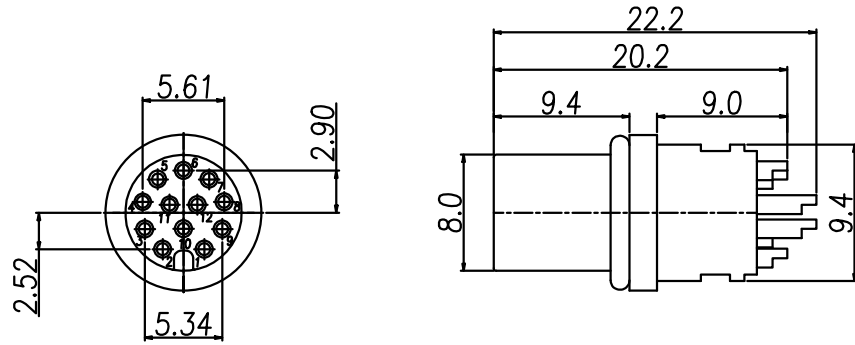


REV	DATE	DESCRIPTION	ECN NO.	NAME
A	20.07.14	PROPOSAL		LWEI

RoHS Compliant

WP M12 12PIN(F)

A
B
C
D
E



NUT

1. MATERIAL :
 - 1-1. HOUSING : PBT UL94V-0 ; COLOR : BLACK
 - 1-2. CONTACT : BRASS
 - 1-3. NUT : BRASS
 - 1-4. O-RING : EPDM
 2. FINISH :
 - 2-1. CONTACT : Au PLATED ON CONTACT AREA (SEE ORDERINFORMATION)
 - 2-2. NUT : NICKEL PLATED
 3. ELECTRICAL SPECIFICATION :
 - 3-1. Rated current : 1.5A
 - 3-2. Rated Voltage : 30V
 - 3-3. Water proof: IPX7
 4. Environmental :
 - 4-1. Operation Temperature : -40℃~85℃
 5. ORDER INFORMATION: AC3402-180500 XX-00
- PLATING OPTION 1
- 1 □ 01: G/F
2 □ 02: 10u"

CUST NO.:

GENERAL TOLERANCE X.X = ±0.20 X.XX = ±0.15 X.X* = ±3'	WIESON TECHNOLOGIES CO., LTD WIESON		PART NO.:	
			AC3402-180500XX-00	
	DRAWN BY	LWEI	STANDARD NO.	
	CHECKED BY	YXJ	DRAWING SIZE	1 : 1 A4
APPROVED BY	JIM	UNIT	mm	
	SORTING NO.	NY (WSC)	PAGE	1 OF 1