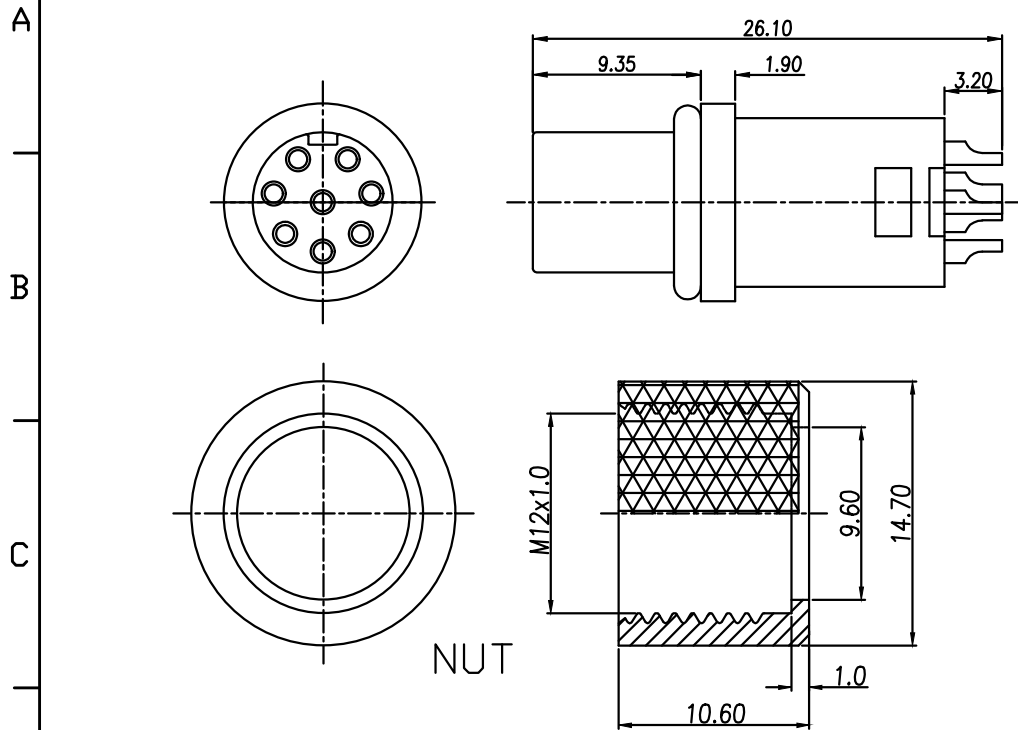


REV	DATE	DESCRIPTION	ECN NO.	NAME
A	20.07.14	PROPOSAL		LWEI

RoHS Compliant

WP M12 (F)

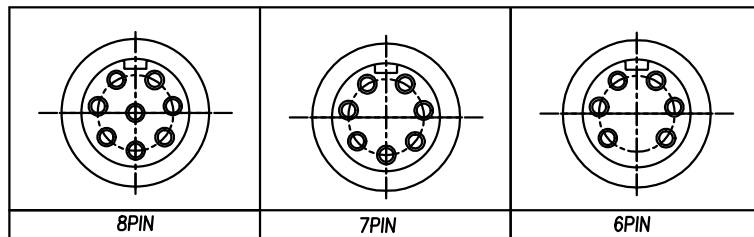


1. MATERIAL :
 - 1-1. HOUSING : PBT UL94V-0 ; COLOR : BLACK
 - 1-2. CONTACT : BRASS
 - 1-3. NUT : BRASS
 - 1-4. O-RING : EPDM
2. FINISH :
 - 2-1. CONTACT : Au PLATED ON CONTACT AREA
UNDER PLATE : NICKEL
 - 2-2. NUT : NICKEL PLATED
3. ELECTRICAL SPECIFICATION :
 - 3-1. Rated current : 2A
 - 3-2. Rated Voltage : 30V
 - 3-3. Water proof: IP67
4. Environmental :
 - 4-1. Operation Temperature : -40°C~105°C
5. ORDER INFORMATION: AC3402-1806 XX 00-00

PIN OPTION

- ① 01: 6PIN
- 02: 7PIN
- 03: 8PIN

CUST NO.:



GENERAL TOLERANCE		WIESON TECHNOLOGIES CO., LTD WIESON		PART NO.: AC3402-1806XX00-00	
X.X	=±0.20	DRAWN BY	LWEI	STANDARD NO.	
X.XX	=±0.15	CHECKED BY	YXJ	DRAWING SIZE	1 : 1 A4
X.X'	=±3'	APPROVED BY	JIM	UNIT	mm
⊕		SORTING NO.	NY (WSC)	PAGE	1 OF 1