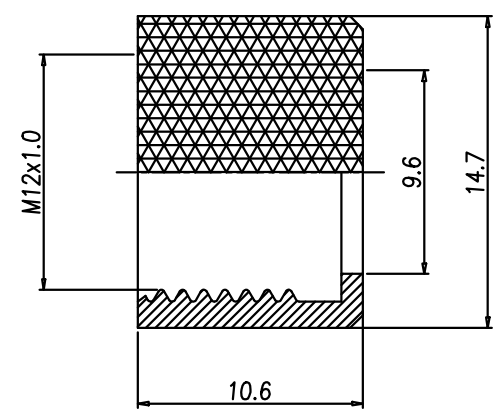
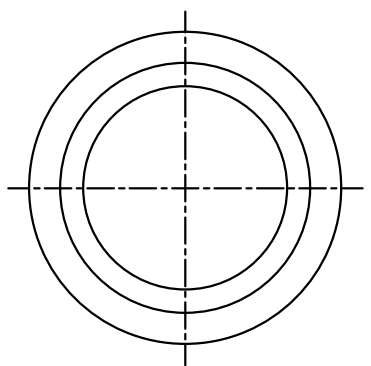
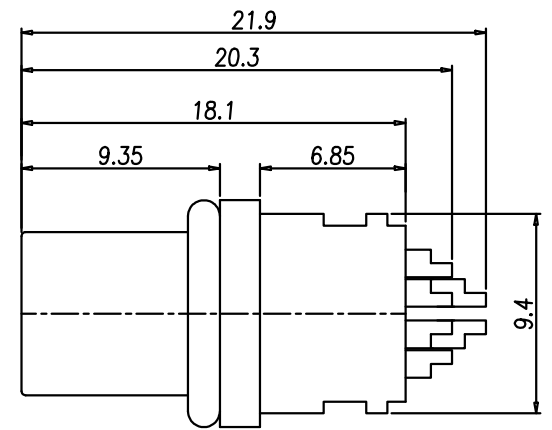
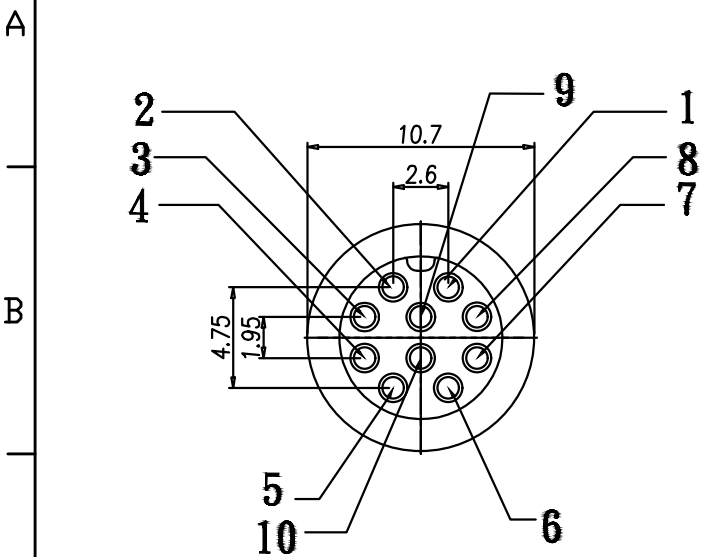


**RoHS Compliant**

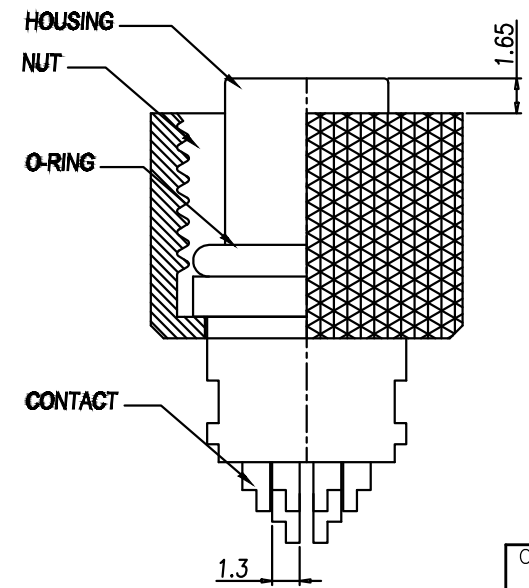
**WP M12 10PIN(F)**

REV	DATE	DESCRIPTION	ECN NO.	NAME
A	20.08.10	PROPOSAL		LWEI



**NUT**

1. MATERIAL :
  - 1-1. HOUSING : PBT UL94V-0 ; COLOR : BLACK
  - 1-2. CONTACT : BRASS
  - 1-3. NUT : BRASS
  - 1-4. O-RING : EPDM ;COLOR : BLACK
2. FINISH :
  - 2-1. CONTACT : 10u" MIN. GOLD PLATED  
VUNDERPLATE : NICKEL
  - 2-2. NUT : NICKEL PLATED
3. ELECTRICAL SPECIFICATION :
  - 3-1. Rated current : 2A
  - 3-2. Rated Voltage : 30V
  - 3-3. Water proof: IPX7
4. Environmental :
  - 4-1. Operation Temperature : -40°C~85°C



GENERAL TOLERANCE		WIESON TECHNOLOGIES CO., LTD <small>WIESON</small>		CUST NO.:	
X.X	=±0.20	DRAWN BY	LWEI	PART NO.: AC3402-18070000-00	
X.XX	=±0.15	CHECKED BY	YXJ	STANDARD NO.	
X.X*	=±3°	APPROVED BY	JIM	DRAWING SIZE	1 : 1   A4
		SORTING NO.	NY (WSC)	UNIT	mm
				PAGE	1 OF 1