

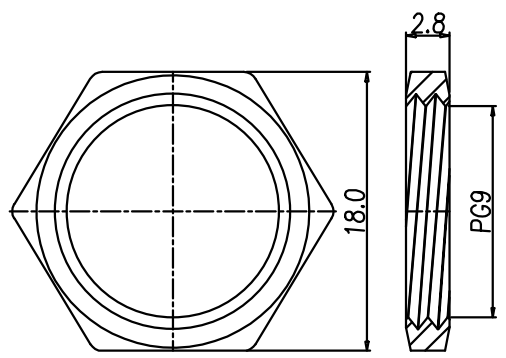
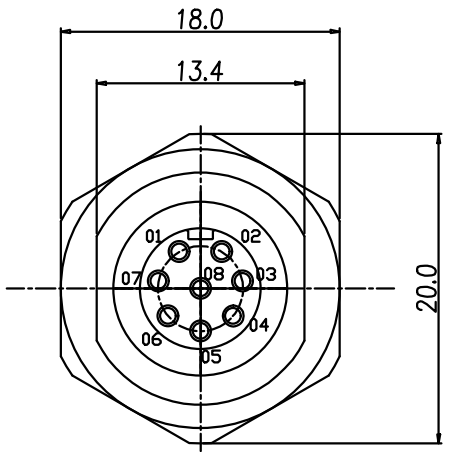
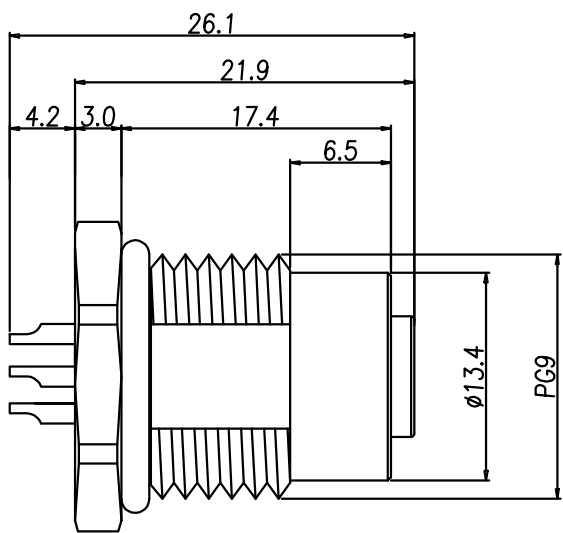
**RoHS Compliant**

WP(F) PG9

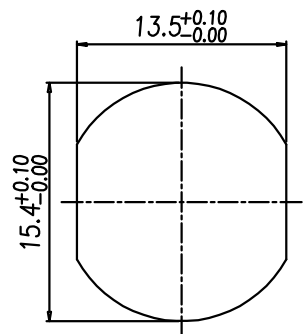
REV	DATE	DESCRIPTION	ECN NO.	NAME
A	20.08.10	PROPOSAL		LWEI

- MATERIAL :
  - HOUSING : PBT UL94V-0 ; COLOR : BLACK
  - CONTACT : BRASS
  - NUT : BRASS
  - SHELL: BRASS
  - O-RING : EPDM
- FINISH :
  - CONTACT :G/F PLATED ON CONTACT AREA  
UNDER PLATE : NICKEL
  - NUT : NICKEL PLATED
  - SHELL : NICKEL PLATED
- ELECTRICAL SPECIFICATION :
  - Rated current : 2A
  - Rated Voltage :30V
  - Water proof: IPX7
- Environmental :
  - Operation Temperature : -40℃~85℃
- ORDER INFORMATION: AC3402-1809 XX 00-00

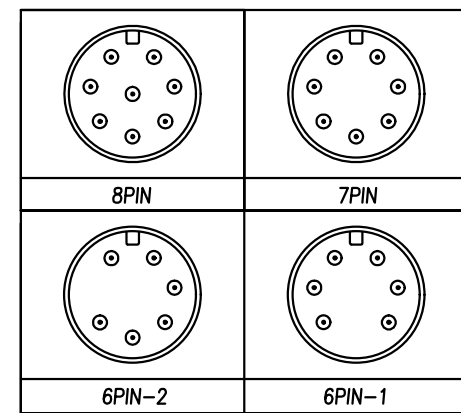
- PIN OPTION
- ① 01: 6PIN-1
  - 02: 6PIN-2
  - 03: 7PIN
  - 04: 8PIN



**NUT**



**RECOMMEND PANEL CUT-OUT**



CUST NO.:

PART NO.: AC3402-1809XXXX-00

GENERAL TOLERANCE		WIESON TECHNOLOGIES CO., LTD		STANDARD NO.	
X.X	=±0.20	DRAWN BY	LWEI	DRAWING SIZE	1 : 1   A4
X.XX	=±0.15	CHECKED BY	YXJ	UNIT	mm
X.X*	=±3°	APPROVED BY	JIM	PAGE	1 OF 1
		SORTING NO.	NY (WSC)		