

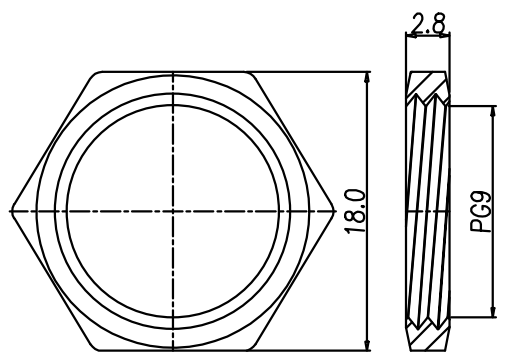
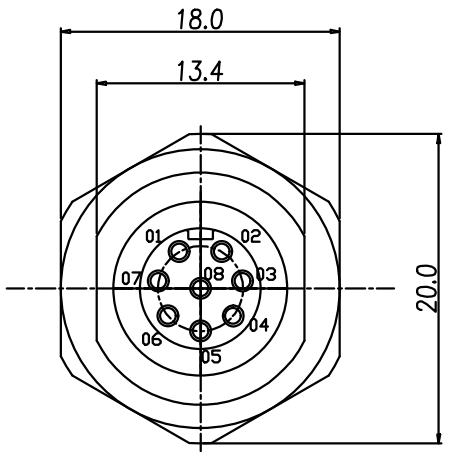
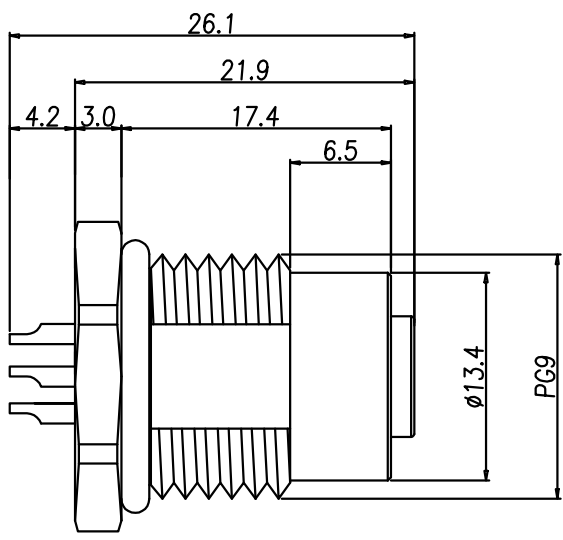
RoHS Compliant

WP(F) PG9

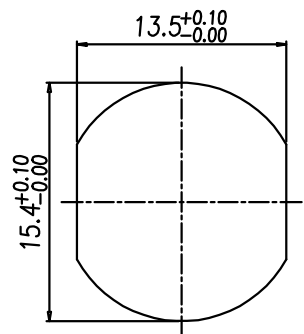
REV	DATE	DESCRIPTION	ECN NO.	NAME
A	20.08.10	PROPOSAL		LWEI

- MATERIAL :
 - HOUSING : PBT UL94V-0 ; COLOR : BLACK
 - CONTACT : BRASS
 - NUT : BRASS
 - SHELL: BRASS
 - O-RING : EPDM
- FINISH :
 - CONTACT :G/F PLATED ON CONTACT AREA
UNDER PLATE : NICKEL
 - NUT : NICKEL PLATED
 - SHELL : NICKEL PLATED
- ELECTRICAL SPECIFICATION :
 - Rated current : 2A
 - Rated Voltage :30V
 - Water proof: IPX7
- Environmental :
 - Operation Temperature : -40℃~85℃
- ORDER INFORMATION: AC3402-1809 XX 00-00

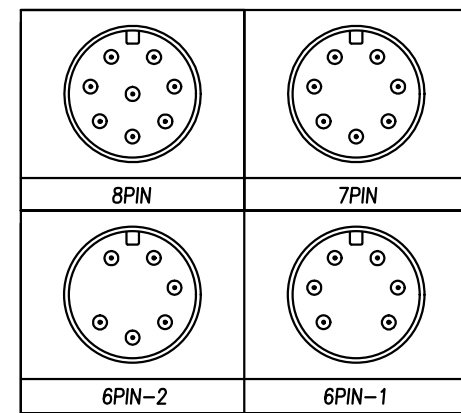
- PIN OPTION
- ① 01: 6PIN-1
 - 02: 6PIN-2
 - 03: 7PIN
 - 04: 8PIN



NUT



RECOMMENDPANEL CUT-OUT



CUST NO.:

PART NO.: AC3402-1809XXXX-00

GENERAL TOLERANCE		WIESON TECHNOLOGIES CO., LTD WIESON		STANDARD NO.	
X.X	=±0.20	DRAWN BY	LWEI	DRAWING SIZE	1 : 1 A4
X.XX	=±0.15	CHECKED BY	YXJ	UNIT	mm
X.X*	=±3°	APPROVED BY	JIM	PAGE	1 OF 1
		SORTING NO.	NY (WSC)		