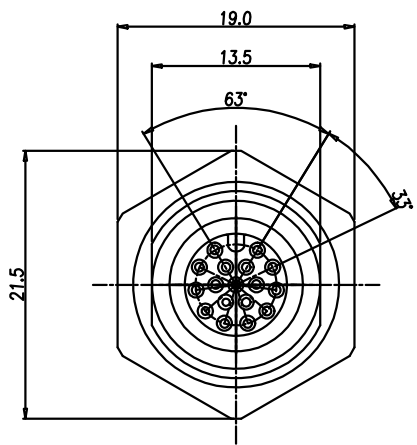
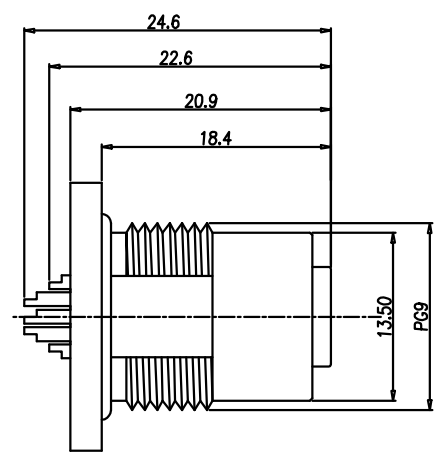


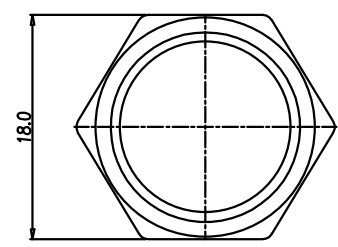
**RoHS Compliant**

**WP M12 17PIN(F)**

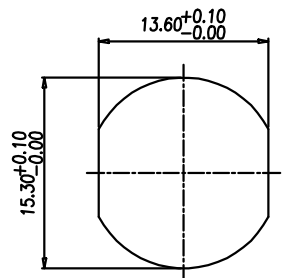
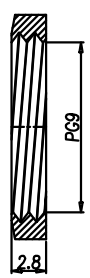
REV	DATE	DESCRIPTION	ECN NO.	NAME
A	20.08.10	PROPOSAL		LWEI



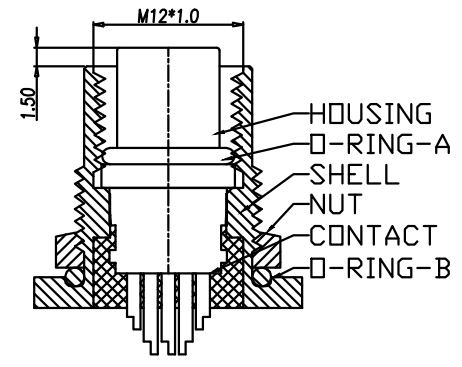
1. MATERIAL :
  - 1-1. HOUSING : PBT UL94V-0 ; COLOR : BLACK
  - 1-2. CONTACT : BRASS
  - 1-3. NUT : BRASS
  - 1-4. SHELL: BRASS
  - 1-5. O-RING : EPDM COLOR : BLACK
2. FINISH :
  - 2-1. CONTACT :10u" MIN. GOLD PLATED  
UNDER PLATE : NICKEL
  - 2-2. NUT : NICKEL PLATED
  - 2-3. SHELL : NICKEL PLATED
3. ELECTRICAL SPECIFICATION :
  - 3-1. Rated current : 1.5A
  - 3-2. Rated Voltage :30V
  - 3-3. Water proof: IPX7
4. Environmental :
  - 4-1. Operation Temperature : -40℃~85℃



**NUT**



**RECOMMENDPANEL CUT-OUT**



CUST NO.:

PART NO.: **AC3402-18100000-00**

GENERAL TOLERANCE		WIESON TECHNOLOGIES CO., LTD <small>WIESON</small>		STANDARD NO.	
X.X	=±0.20	DRAWN BY	LWEI	DRAWING SIZE	1 : 1   A4
X.XX	=±0.15	CHECKED BY	YXJ	UNIT	mm
X.X*	=±3°	APPROVED BY	JIM	PAGE	1 OF 1
		SORTING NO.	NY (WSC)		