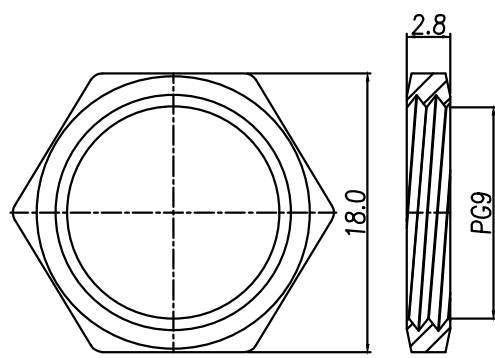
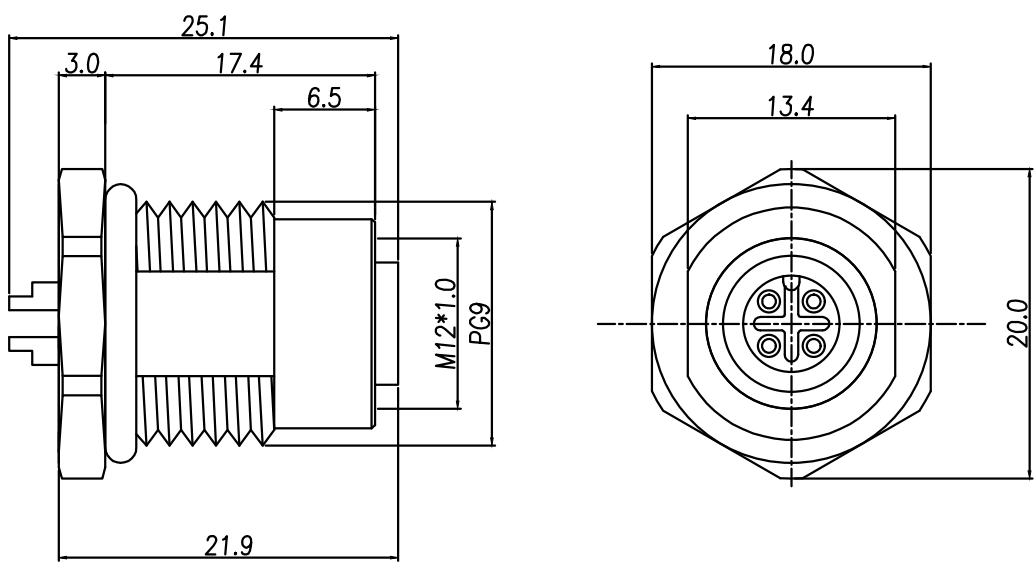


RoHS Compliant

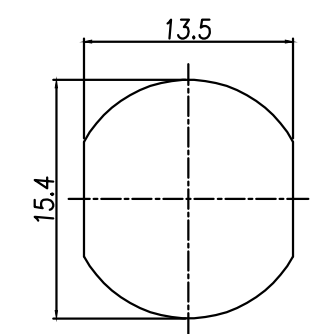
WP M12 A-code (F)

REV	DATE	DESCRIPTION	ECN NO.	NAME
A	20.08.10	PROPOSAL		LWEI

A
B
C
D
E



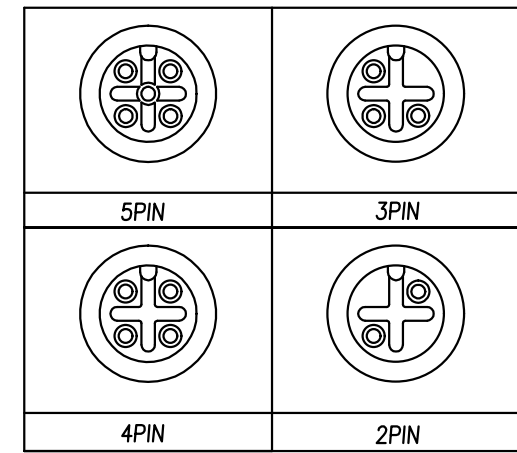
NUT



RECOMMENDPANEL CUT-OUT

1. MATERIAL :
 - 1-1. HOUSING : PBT UL94V-0 ; COLOR : BLACK
 - 1-2. CONTACT : BRASS
 - 1-3. NUT : BRASS
 - 1-4. SHELL: BRASS
 - 1-5. O-RING : EPDM ; COLOR : BLACK
2. FINISH :
 - 2-1. CONTACT :10u" Au MIN PLATED ON CONTACT AREA UNDER PLATE : NICKEL
 - 2-2. NUT : NICKEL PLATED
 - 2-3. SHELL : NICKEL PLATED
3. ELECTRICAL SPECIFICATION :
 - 3-1. Rated current : 4A
 - 3-2. Rated Voltage :2~4PIN 250V;5PIN 60V
 - 3-3. Water proof: IPX7
4. Environmental :
 - 4-1. Operation Temperature : -40℃~85℃
5. ORDER INFORMATION: AC3402-1812 XX 00-00

- PIN OPTION
- ① 01: 2PIN
 - 02: 3PIN
 - 03: 4PIN
 - 04: 5PIN



CUST NO.:

GENERAL TOLERANCE		WIESON TECHNOLOGIES CO., LTD	PART NO.:	
X.X	=±0.20		AC3402-1812XX00-00	
X.XX	=±0.15	DRAWN BY	LWEI	STANDARD NO.
X.X*	=±3°	CHECKED BY	YXJ	DRAWING SIZE
		APPROVED BY	JIM	1 : 1 A4
		SORTING NO.	NY (WSC)	UNIT
				mm
				PAGE
				1 OF 1