

RoHS Compliant

REV	DATE	DESCRIPTION	ECN NO.	NAME
A	18.08.10	NEW RELEASE		Aaron

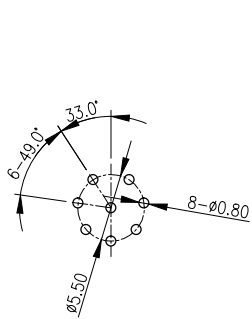
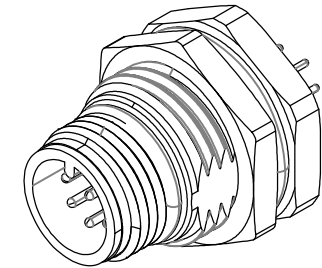
M12 8P CONNECTOR PANEL MALE TYPE

NOTE:

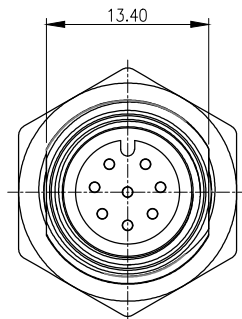
- MATERIAL:
CONTACT: BRASS
O-RING: SILICONE
SHELL: BRASS
HOUSING/COVER:
HIGH TEMPERATURE PLASTIC, UL94V-0, COLOR:BLACK
- PLATING:
CONTACT:1~3u".GOLD PLATED
UNDER PLATE: NICKEL
NUT: NICKEL PLATED
SHELL: NICKEL PLATED
- PACKING: TRAY

4. PART NO.:
GM3401-02XXXX01-00

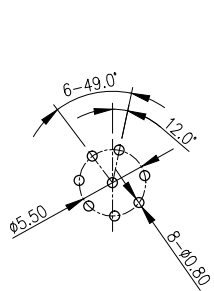
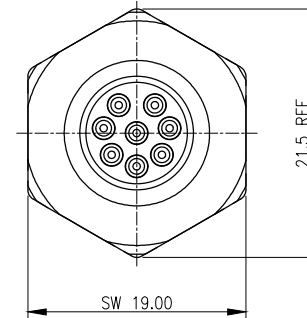
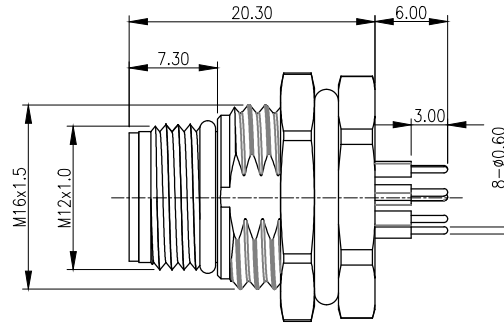
- 00: FOR KEY 0°
- 01: FOR KEY 45°
- 00: 8 PIN
- 01: 5 PIN



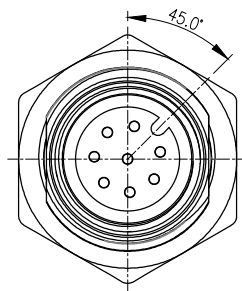
PCB LAYOUT
FOR G3401-02000001-00



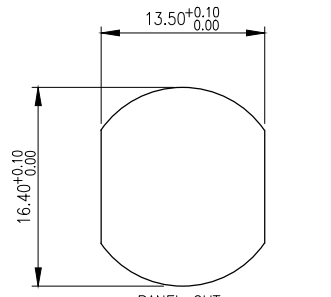
G3401-02000001-00



PCB LAYOUT
FOR G3401-02000101-00



G3401-02000101-00



PANEL CUT
FOR PANEL THICKNESS MAX OF 4.5mm

TECHNICAL DATA	G3401-0200XX01-00
RATED VOLTAGE	60V
RATED IMPULSE VOLTAGE	800V
RATED CURRENT	2A
WATERPROOF RATE	IP68
TEMPERATURE RANGE	-40°C~85°C

GENERAL TOLERANCE		WIESON TECHNOLOGIES CO., LTD		PART NO.:	
X.X	=±0.20	DRAWN BY	Aaron	G3402-02XXXX01-00	
X.XX	=±0.15	CHECKED BY		DRAWING NO.	G3402-02XXXX01-00
X.X*	=±3*	APPROVED BY		DRAWING SIZE	1.7: 1 A4
⊕		SORTING NO.	WST	UNIT	mm
				PAGE	1 OF 2