

REV	DATE	DESCRIPTION	ECN NO.	NAME
A	18.08.10	NEW RELEASE		Aaron

**RoHS Compliant**

# M12 8P CONNECTOR PANEL FEMALE TYPE

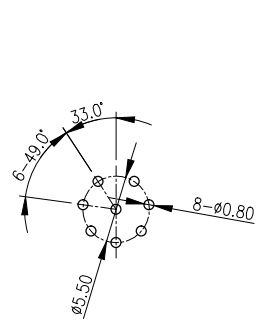
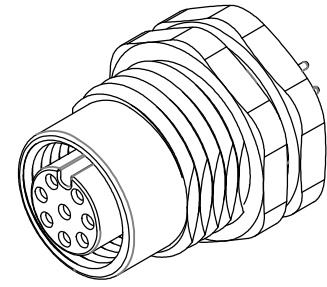
NOTE:

- MATERIAL:  
CONTACT: BRASS  
O-RING: SILICONE  
SHELL: BRASS  
HOUSING/COVER:  
HIGH TEMPERATURE PLASTIC, UL94V-0, COLOR:BLACK
- PLATING:  
CONTACT:1~3u".GOLD PLATED  
UNDER PLATE: NICKEL  
NUT: NICKEL PLATED  
SHELL: NICKEL PLATED
- PACKING: TRAY

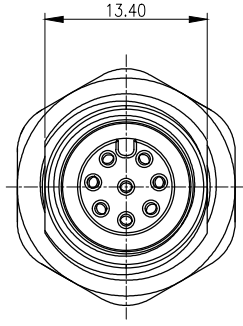
4. PART NO.:

GM3402-14XXXX01-00

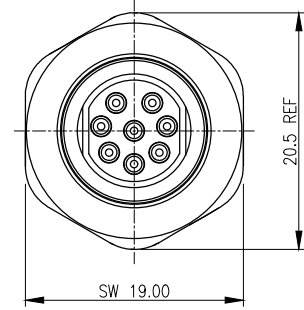
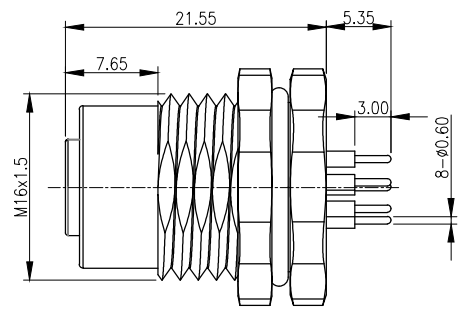
- 00: FOR KEY 0°
- 01: FOR KEY 45°
- 00: 8 PIN
- 01: 5 PIN



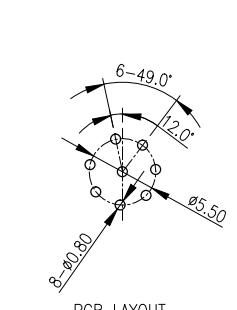
PCB LAYOUT  
FOR G3402-14000001-00



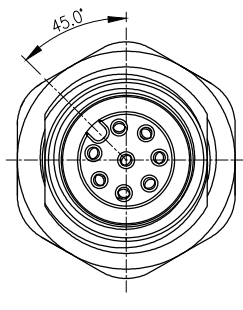
G3402-14000001-00



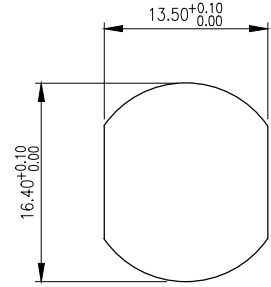
TECHNICAL DATA	G3402-1400XX01-00
RATED VOLTAGE	60V
RATED IMPULSE VOLTAGE	800V
RATED CURRENT	2A
WATERPROOF RATE	IP68
TEMPERATURE RANGE	-40°C~85°C



PCB LAYOUT  
FOR G3402-14000101-00



G3402-14000101-00



PANEL CUT  
FOR PANEL THICKNESS MAX OF 4.5mm

<b>GENERAL TOLERANCE</b> X.X = ±0.20 X.XX = ±0.15 X.X' = ±3°	WIESON TECHNOLOGIES CO., LTD WIESON		PART NO.: G3402-14XXXX01-00	
	DRAWN BY	Aaron	DRAWING NO.	G3402-14XXXX01-00
	CHECKED BY		DRAWING SIZE	1.7: 1   A4
	APPROVED BY		UNIT	mm
SORTING NO. WST		PAGE	1 OF 2	