

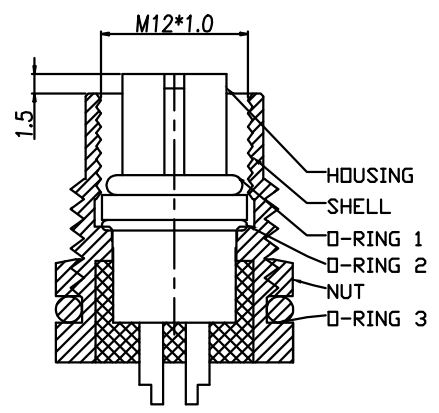
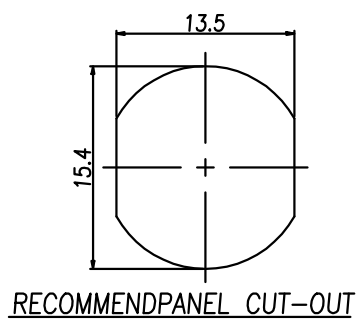
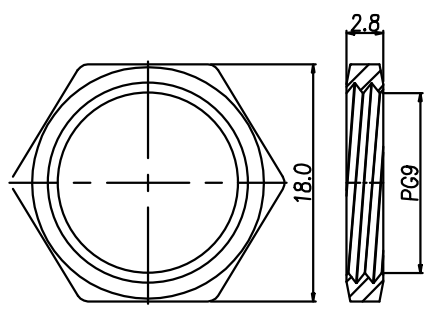
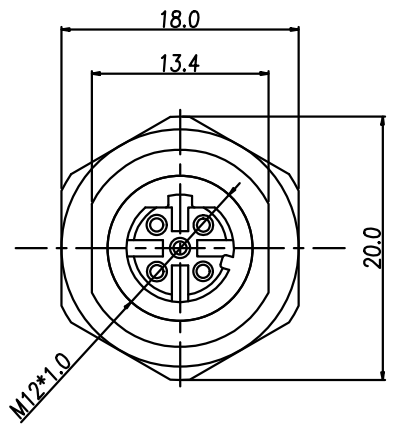
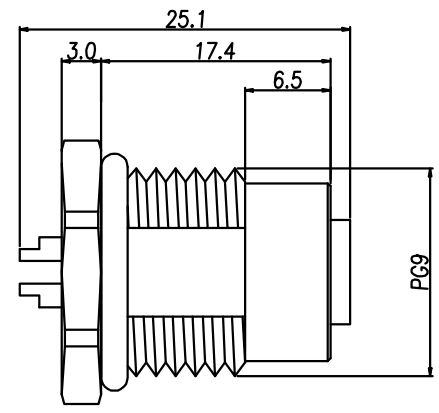
RoHS Compliant

WP M12 D-code (F)

REV	DATE	DESCRIPTION	ECN NO.	NAME
A	20.08.10	PROPOSAL		LWEI

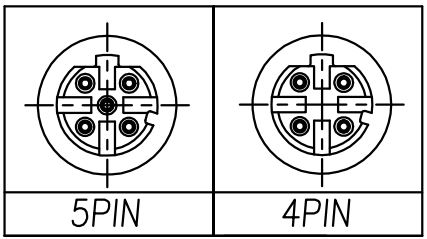
- MATERIAL :
 - 1-1. HOUSING : PBT UL94V-0 ; COLOR : BLACK
 - 1-2. CONTACT : BRASS
 - 1-3. NUT : BRASS
 - 1-4. SHELL: BRASS
 - 1-5. O-RING 1 : EPDM
 - 1-5. O-RING 2 : SILICONE
 - 1-5. O-RING 3 : EPDM
- FINISH :
 - 2-1. CONTACT : Au PLATED ON CONTACT AREA (SEE ORDERINFORMATION) UNDER PLATE : NICKEL
 - 2-2. NUT : NICKEL PLATED
 - 2-3. SHELL : NICKEL PLATED
- ELECTRICAL SPECIFICATION :
 - 3-1. Rated current : 4A
 - 3-2. Rated Voltage : 4PIN 250V;5PIN:60V
 - 3-3. Water proof: IP67
- Environmental :
 - 4-1. Operation Temperature : -40°C~85°C
- ORDER INFORMATION: AC3402-1808 XX XX-00
 ① ②

- PIN OPTION PLATING OPTION
- ① 01: 4PIN ② 01: G/F
 - 02: 5PIN 02: 10u"



NUT

RECOMMEND PANEL CUT-OUT



CUST NO.:

GENERAL TOLERANCE X.X = ±0.20 X.XX = ±0.15 X.X* = ±3° 	WIESON TECHNOLOGIES CO., LTD		PART NO.: AC3402-1808XXXX-00	
	DRAWN BY	LWEI	STANDARD NO.	
	CHECKED BY	YXJ	DRAWING SIZE	1 : 1 A4
	APPROVED BY	JIM	UNIT	mm
	SORTING NO.	NY (WSC)	PAGE	1 OF 1