

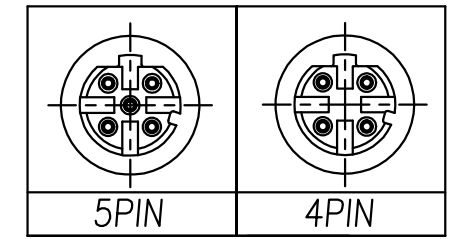
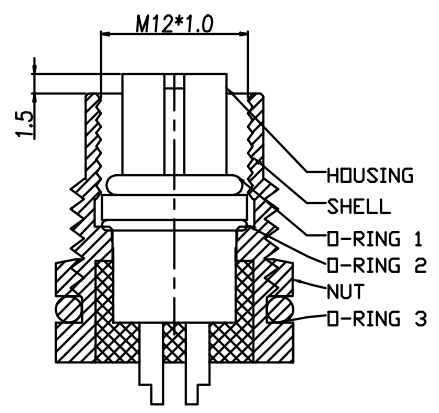
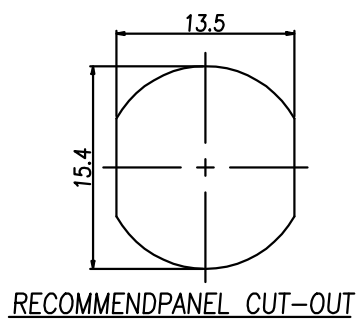
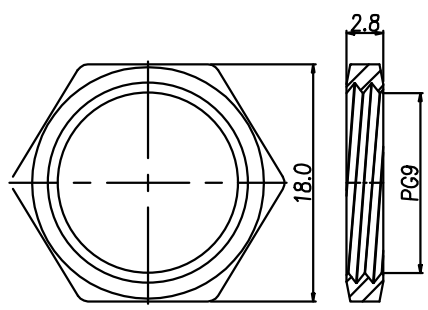
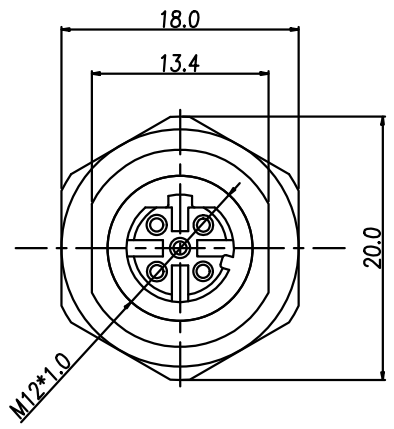
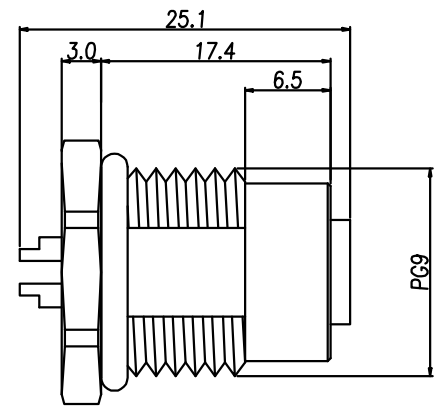
**RoHS Compliant**

WP M12 D-code (F)

REV	DATE	DESCRIPTION	ECN NO.	NAME
A	20.08.10	PROPOSAL		LWEI

- MATERIAL :
  - 1-1. HOUSING : PBT UL94V-0 ; COLOR : BLACK
  - 1-2. CONTACT : BRASS
  - 1-3. NUT : BRASS
  - 1-4. SHELL: BRASS
  - 1-5. O-RING 1 : EPDM
  - 1-5. O-RING 2 : SILICONE
  - 1-5. O-RING 3 : EPDM
- FINISH :
  - 2-1. CONTACT : Au PLATED ON CONTACT AREA (SEE ORDERINFORMATION)  
UNDER PLATE : NICKEL
  - 2-2. NUT : NICKEL PLATED
  - 2-3. SHELL : NICKEL PLATED
- ELECTRICAL SPECIFICATION :
  - 3-1. Rated current : 4A
  - 3-2. Rated Voltage : 4PIN 250V;5PIN:60V
  - 3-3. Water proof: IP67
- Environmental :
  - 4-1. Operation Temperature : -40°C~85°C
- ORDER INFORMATION: AC3402-1808 XX XX-00  
① ②

- PIN OPTION                      PLATING OPTION
- ① 01: 4PIN
  - ② 02: 5PIN
  - ① 01: G/F
  - ② 02: 10u"



GENERAL TOLERANCE		WIESON TECHNOLOGIES CO., LTD WIESON		CUST NO.:	
X.X	±0.20	DRAWN BY	LWEI	PART NO.: AC3402-1808XXXX-00	
X.XX	±0.15	CHECKED BY	YXJ	STANDARD NO.	
X.X*	±3°	APPROVED BY	JIM	DRAWING SIZE	1 : 1   A4
⊕		SORTING NO.	NY (WSC)	UNIT	mm
				PAGE	1 OF 1