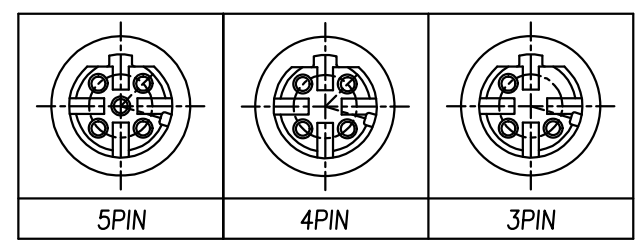
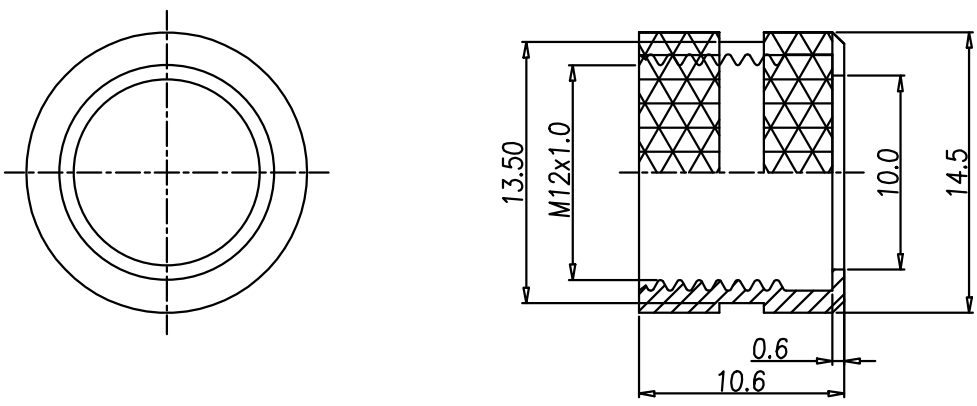
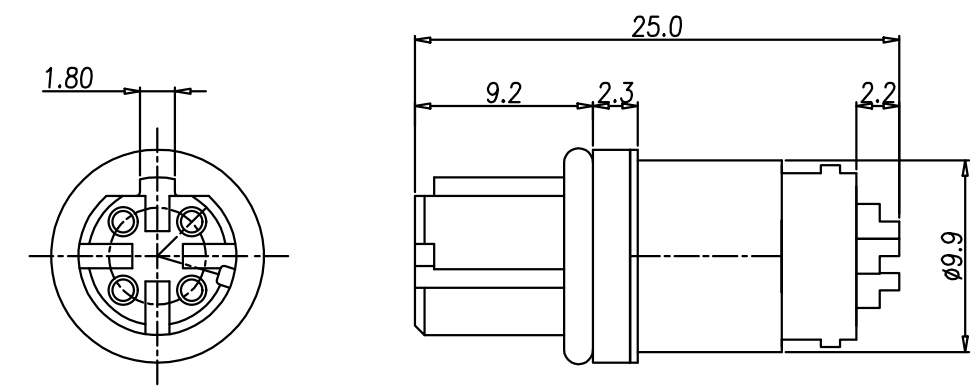


RoHS Compliant

WP M12 (F) D-code

REV	DATE	DESCRIPTION	ECN NO.	NAME
A	20.08.10	PROPOSAL		LWEI

A
B
C
D
E



- MATERIAL :
 - 1-1. HOUSING : SEE ORDERINFORMATION UL94V-0 ; COLOR : BLACK
 - 1-2. CONTACT : BRASS
 - 1-3. NUT : BRASS
 - 1-4. SHELL: BRASS
 - 1-5. O-RING : EPDM COLOR : BLACK
- FINISH :
 - 2-1. CONTACT :Au PLATED ON CONTACT AREA (SEE ORDERINFORMATION)
UNDER PLATE : NICKEL
 - 2-2. NUT : NICKEL PLATED
 - 2-3. SHELL : NICKEL PLATED
- ELECTRICAL SPECIFICATION :
 - 3-1. Rated current : 4A
 - 3-2. Rated Voltage :3~4PIN 250V;5PIN 60V
 - 3-3. Water proof: IPX7
- Environmental :
 - 4-1. Operation Temperature : -40℃~85℃
- ORDER INFORMATION: AC3402-1811 X X XX-00

- PIN OPTION HOUSING OPTION
- ① 0: 3PIN
 - ① 1: 4PIN
 - ① 2: 5PIN
- ② 0: PBT
 - ② 1: TPU
- PLATING OPTION
- ② 01: G/F
 - ② 02: 10u"

CUST NO.:

GENERAL TOLERANCE X.X =±0.20 X.XX =±0.15 X.X* =±3°	WIESON TECHNOLOGIES CO., LTD		PART NO.: AC3402-1811XXXX-00	
	DRAWN BY	LWEI	STANDARD NO.	
	CHECKED BY	YXJ	DRAWING SIZE	1 : 1 A4
	APPROVED BY	JIM	UNIT	mm
	SORTING NO.	NY (WSC)	PAGE	1 OF 1