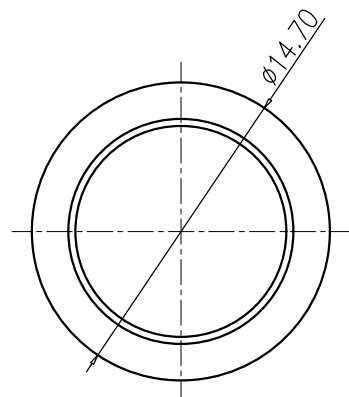
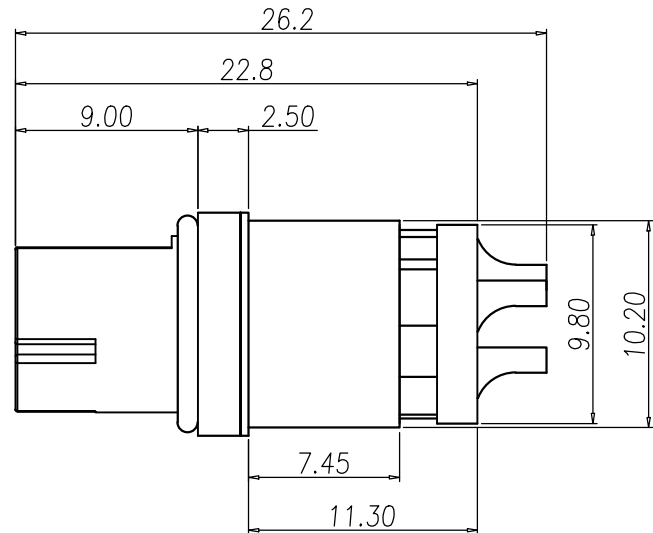
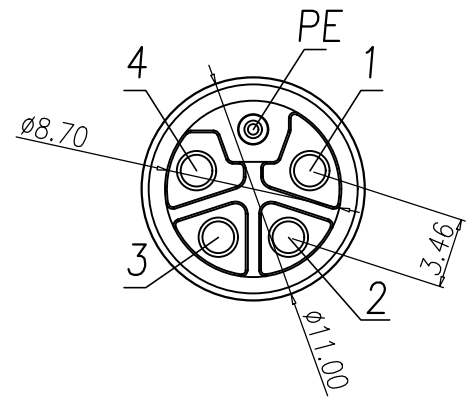


REV	DATE	DESCRIPTION	ECN NO.	NAME
A	20.04.20	PROPOSAL		LWEI

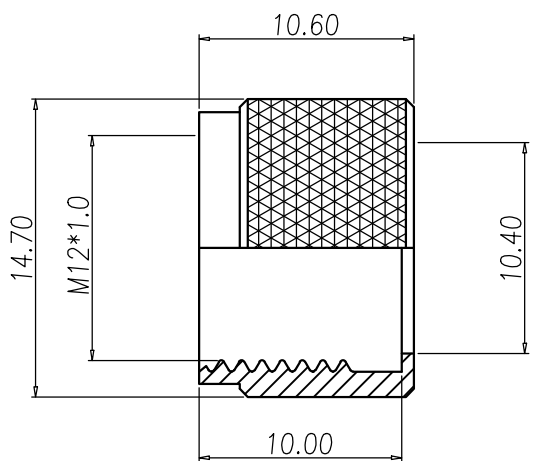
RoHS Compliant

M12-5PIN (4+PE) L-CODE (F)

A
B
C
D
E



NUT



1. MATERIAL :
 - 1-1. HOUSING : PA66 UL94V-0 ; COLOR : BLACK
 - 1-2. CONTACT : BRASS
 - 1-3. NUT : BRASS
 - 1-4. O-RING : EDPM
 - 1-5. SHELL : BRASS.
2. FINISH :
 - 2-1. CONTACT : 10 MICRO INCHES MIN. GOLD PLATED UNDER PLATE : NICKEL
 - 2-2. NUT : NICKEL PLATED
 - 2-3. SHELL : BRIGHT TIN PLATED
3. ELECTRICAL SPECIFICATION :
 - 3-1. Rated current : 16A
 - 3-2. Rated Voltage : 63V
 - 3-3. Water proof: IP67/68
4. Environmental :
 - 4-1. Operation Temperature : -40 ~105

GENERAL TOLERANCE		WIESON TECHNOLOGIES CO., LTD <small>WIESON</small>		CUST NO.:	
X.X	=±0.20	DRAWN BY	LWEI	PART NO.: AC3402-18010000-00	
X.XX	=±0.15	CHECKED BY	YXJ	STANDARD NO.	
X.X*	=±3'	APPROVED BY	JIM	DRAWING SIZE	1 : 1 A4
⊕	⊖	SORTING NO.	NY (WSC)	UNIT	mm
				PAGE	1 OF 1