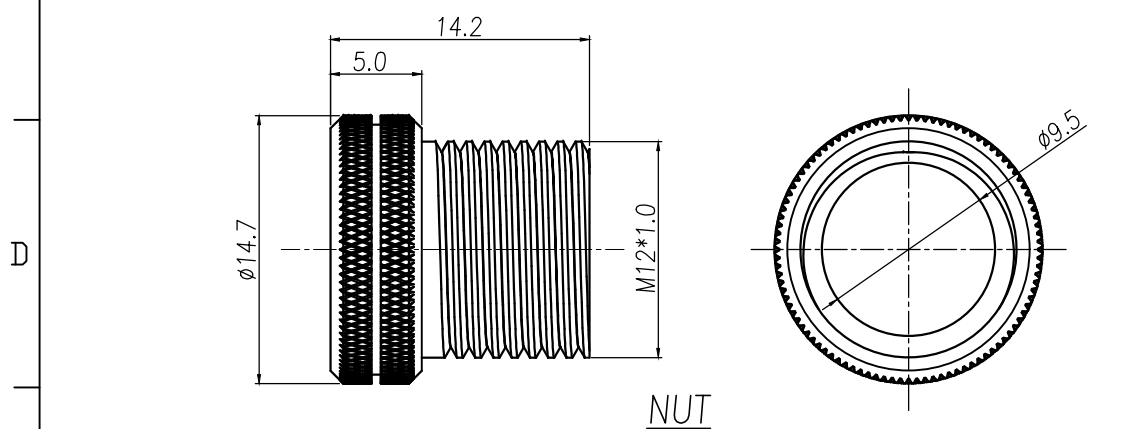
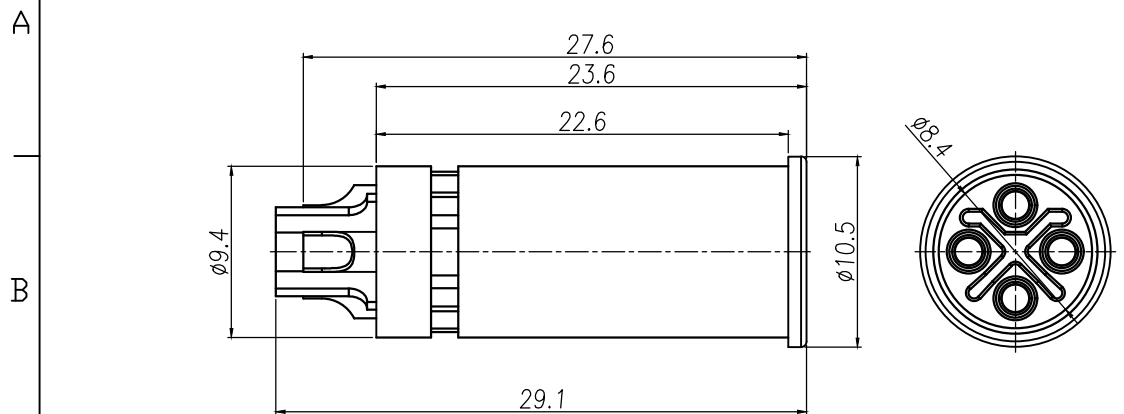


REV	DATE	DESCRIPTION	ECN NO.	NAME
A	20.04.20	PROPOSAL		LWEI

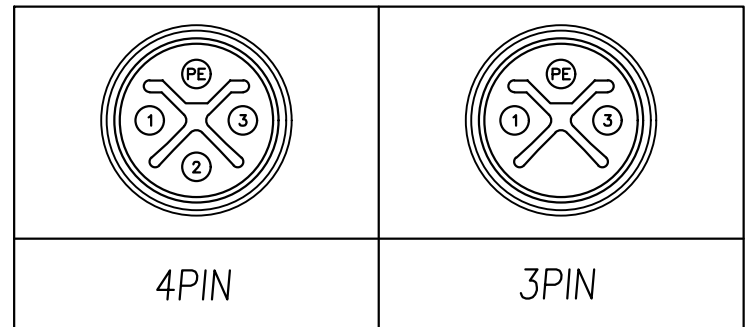
RoHS Compliant

M12 S-CODING (M)



NUT

- MATERIAL :
 - 1-1. HOUSING : PA66 UL94V-0 ; COLOR : BLACK
 - 1-2. CONTACT : BRASS
 - 1-3. NUT : BRASS
- FINISH :
 - 2-1. CONTACT : 10u" MIN. GOLD PLATED
UNDER PLATE : NICKEL
 - 2-2. NUT : NICKEL PLATED
- ELECTRICAL SPECIFICATION :
 - 3-1. Rated current : 12A
 - 3-2. Rated Voltage : 630V
 - 3-3. Water proof: IP67/68
- Environmental :
 - 4-1. Operation Temperature : -40 ~105
- ORDER INFORMATION: AC3401-060200 XX -00
PIN OPTION ①
 - ① — 01: 4PIN
 - 02: 3PIN



CUST NO.:

GENERAL TOLERANCE		WIESON TECHNOLOGIES CO., LTD WIESON	PART NO.: AC3401-060200XX-00		
X.X	=±0.20		DRAWN BY	LWEI	STANDARD NO.
X.XX	=±0.15	CHECKED BY	YXJ	DRAWING SIZE	1 : 1 A4
X.X*	=±3'	APPROVED BY	JIM	UNIT	mm
⊕		SORTING NO.	NY (WSC)	PAGE	1 OF 1